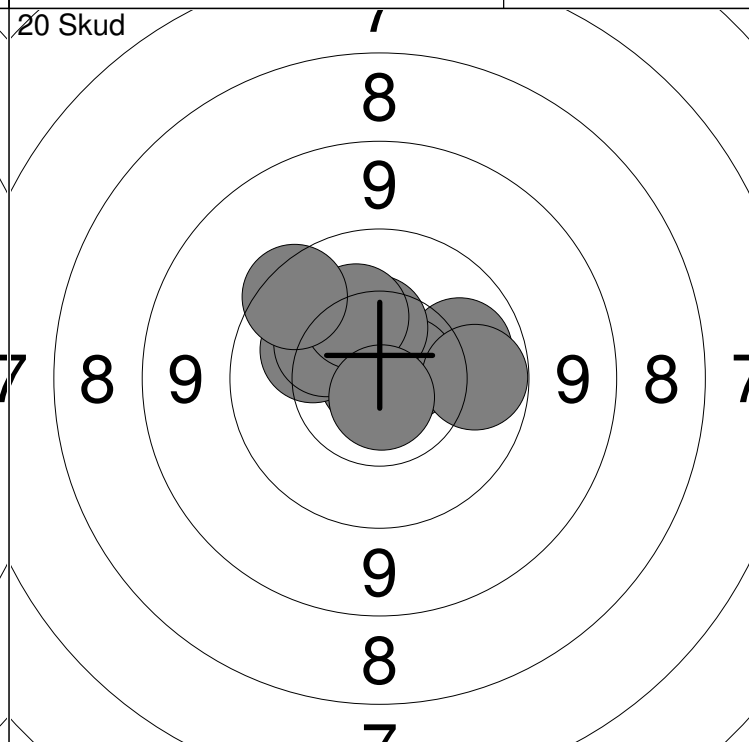
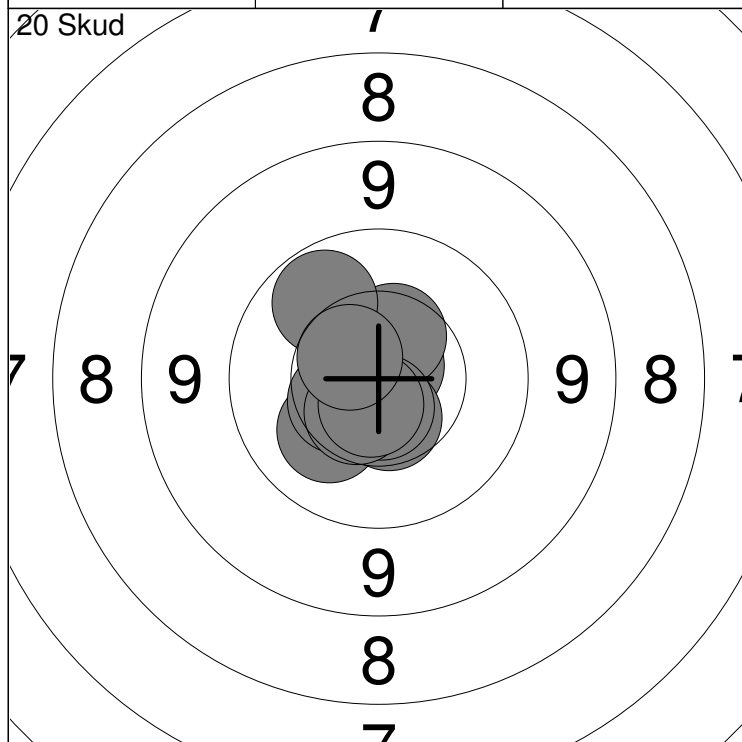


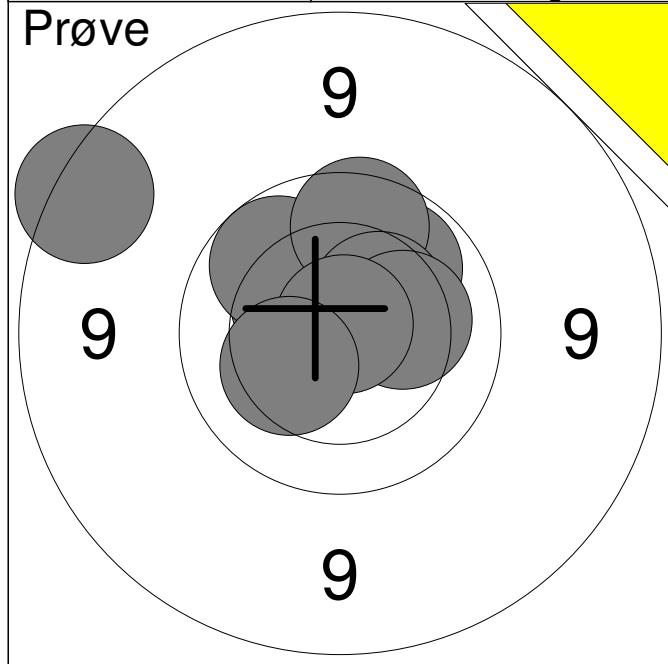
1: 9.3 ←	6: *10.6 →	Serie	98.0
2: 10.1 ↓	7: *10.8 ↓		
3: 10.3 ↙	8: 10.2 ↓	Total	0.0
4: 9.9 ←	9: 10.3 ↖		
5: 10.4 ↖	10: 10.3 ↑		

11: 10.2 ↙	Serie	30.0
12: 10.3 ↓		
13: 10.4 ↑	Total	0.0

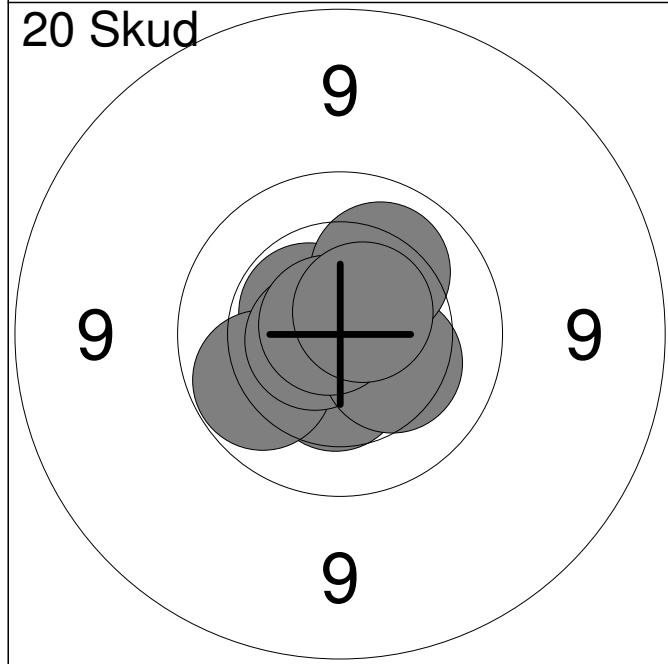


1: *10.8 ↗	6: 10.5 ↓	Serie	100.0
2: 10.5 ↑	7: *10.7 ↓		
3: 10.0 ↖	8: 10.5 ↙	Total	100.0
4: 10.2 ↙	9: *10.7 ↓		
5: 10.5 ↙	10: 10.6 ↖		

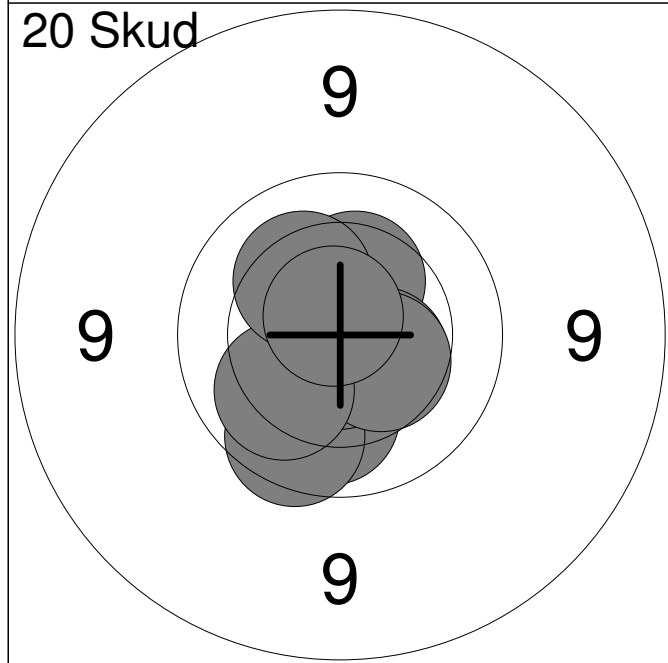
11: *10.9 ↖	16: 10.4 ↑	Serie	99.0
12: 10.1 →	17: 10.3 ↖		
13: *10.7 ↗	18: 10.3 ↑	Total	199.0
14: 10.0 →	19: *10.8 ↓		
15: 10.2 ↖	20: 9.7 ↖		



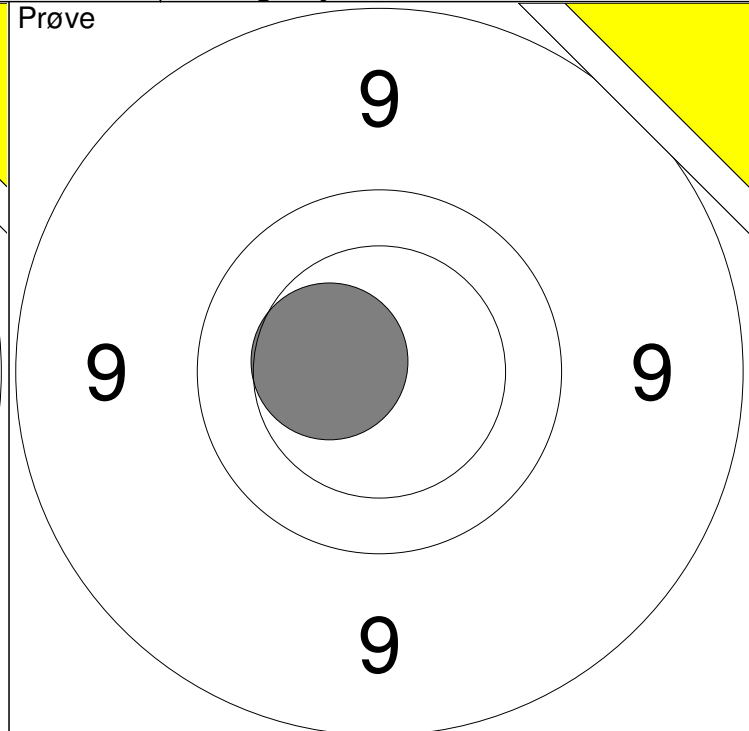
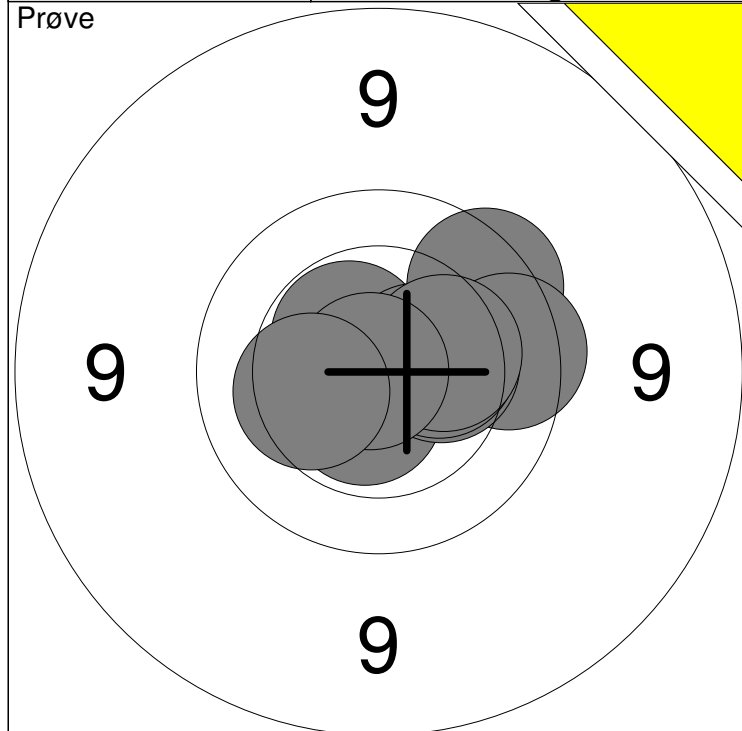
1:	8.8	↖
2:	10.4	↖
3:	10.0	↗
4:	10.0	↖
5:	9.8	↑
6:	10.4	↗
7:	10.2	→
8:	*10.8	↗
9:	10.3	↙
Serie		87.0
Total		0.0



1:	*10.5	↖
2:	*10.8	↓
3:	*10.7	↙
4:	10.4	↓
5:	10.0	↙
6:	*10.7	←
7:	10.3	↘
8:	10.2	↗
9:	*10.8	↗
10:	*10.6	↗
Serie		100.0
Total		100.0

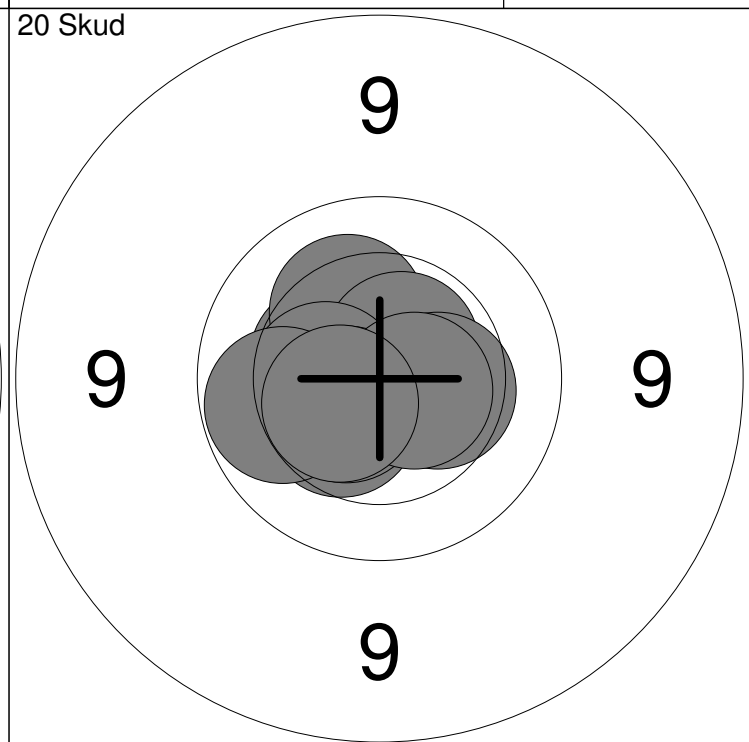
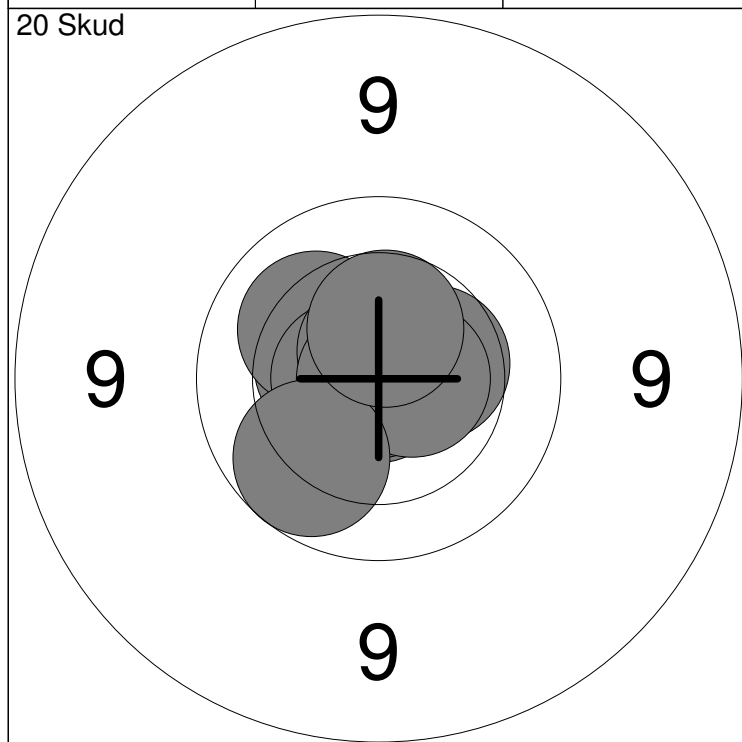


11:	10.1	↓
12:	9.8	↙
13:	*10.9	↘
14:	*10.7	↓
15:	10.3	↑
16:	10.5	↘
17:	10.4	↘
18:	10.1	↙
19:	10.2	↗
20:	*10.7	↑
Serie		99.0
Total		199.0



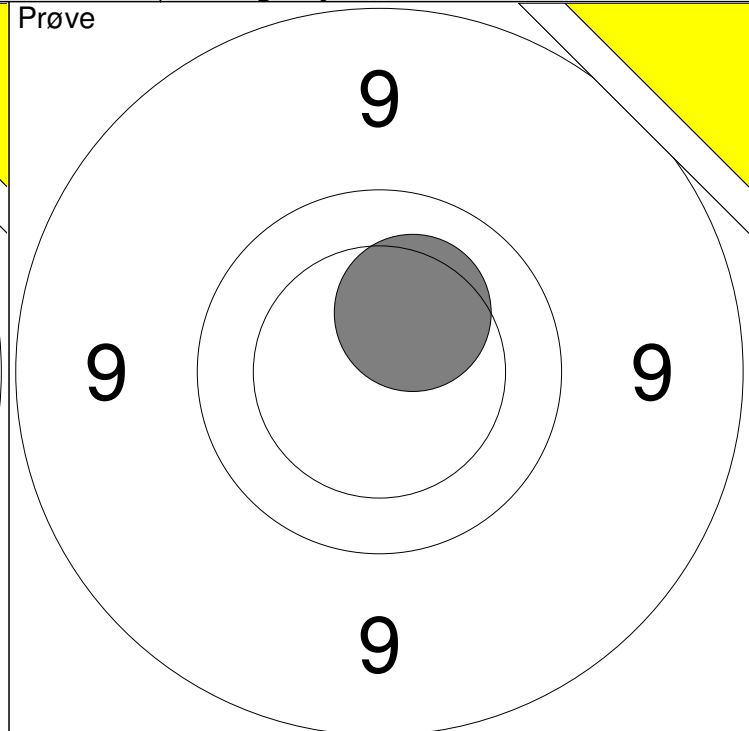
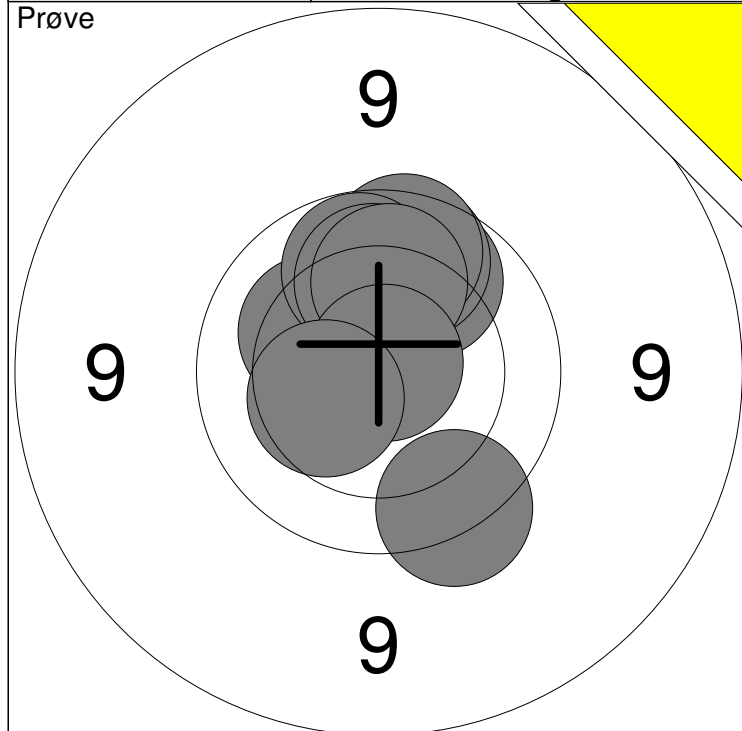
1: 9.8 ↗	6: 10.3 →	Serie 98.0
2: *10.5 ↖	7: 10.4 →	
3: *10.6 →	8: 10.3 →	Total 0.0
4: *10.6 ↓	9: *10.9 ←	
5: 9.8 →	10: 10.3 ←	

11: 10.5 ←	Serie 10.0
	Total 0.0



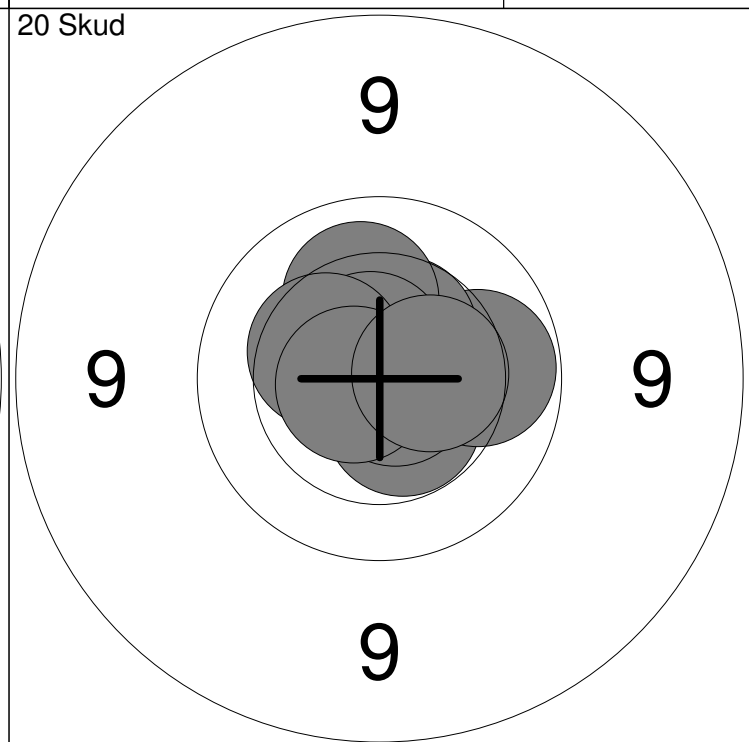
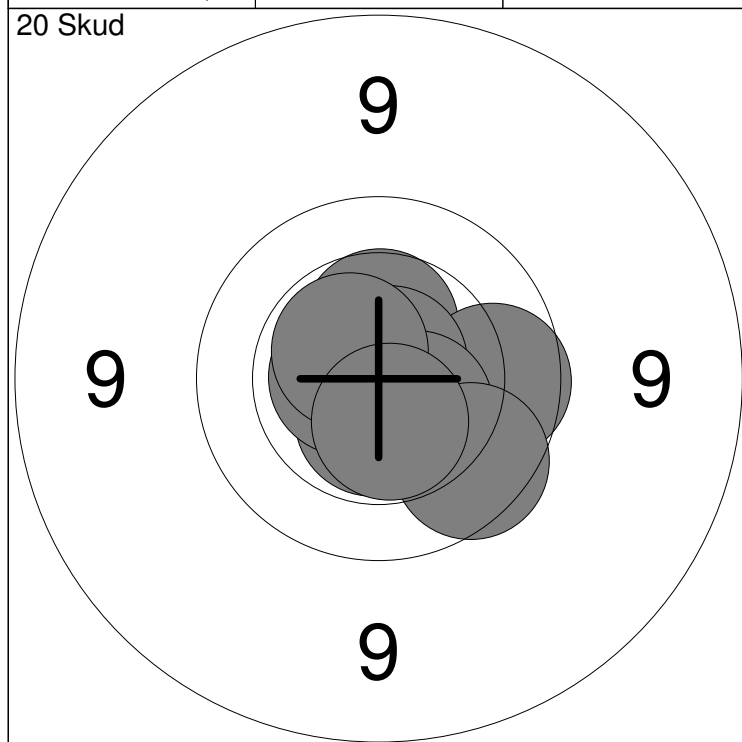
1: 10.5 ←	6: 10.4 →	Serie 99.0
2: 10.2 ↖	7: *10.9 ↙	
3: *10.9 ↓	8: *10.6 →	Total 99.0
4: *10.7 ←	9: 9.9 ↙	
5: *10.7 ↑	10: 10.5 ↑	

11: 10.4 ↙	16: 10.4 →	Serie 100.0
12: 10.4 ←	17: *10.5 ↙	
13: 10.2 ↗	18: 10.0 ←	Total 199.0
14: *10.6 ↗	19: *10.6 →	
15: 10.4 ←	20: *10.5 ↙	



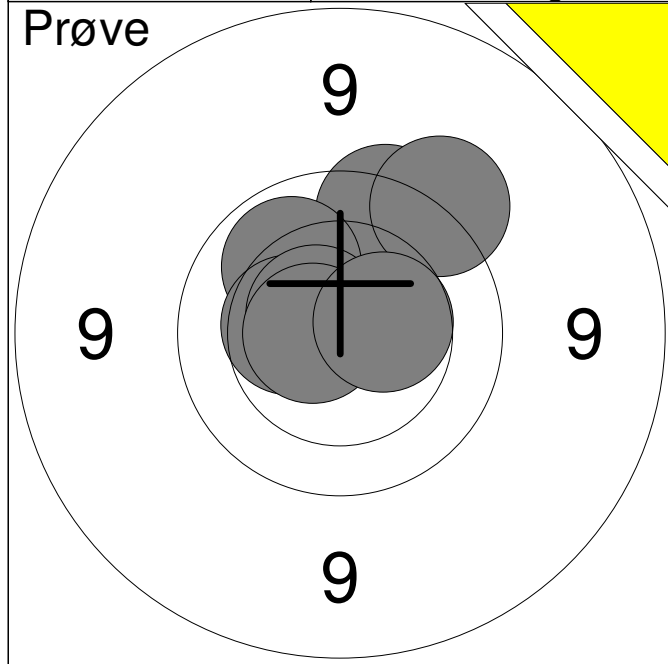
1: 9.7 ↘	6: 10.0 ↑	Serie	97.0
2: 10.2 ↖	7: 10.1 ↑		
3: 10.0 ↗	8: 10.1 ↑	Total	0.0
4: 9.9 ↑	9: *10.8 ↗		
5: 9.8 ↑	10: 10.4 ↙		

11: 10.3 ↗	Serie	10.0
	Total	0.0

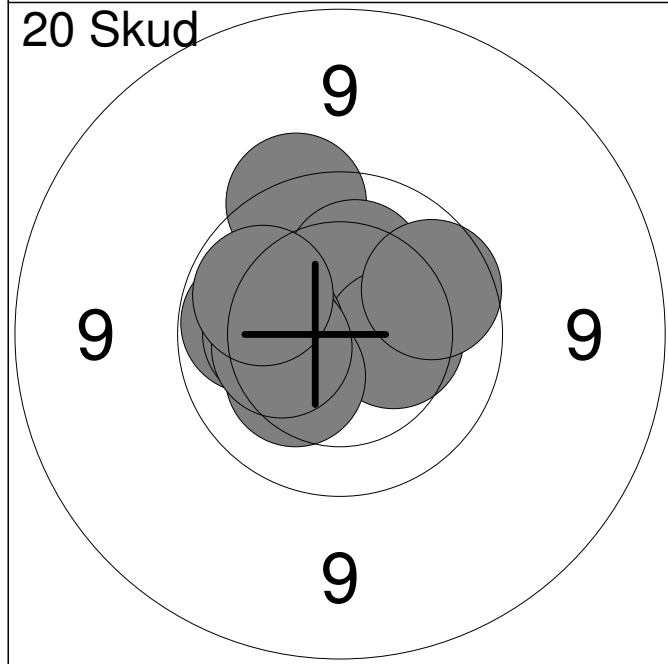


1: 10.5 ↑	6: *10.6 ↙	Serie	98.0
2: 10.4 ↘	7: *10.5 ↘		
3: 9.9 →	8: *10.6 ↖	Total	98.0
4: *10.8 ↗	9: 9.8 ↘		
5: *10.6 ↓	10: *10.5 ↓		

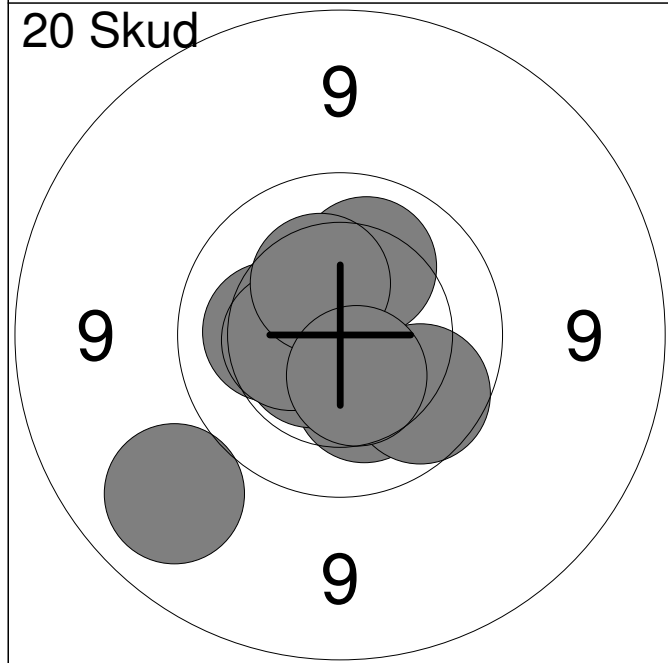
11: *10.5 ↓	16: 10.2 ↑	Serie	100.0
12: *10.8 ↘	17: *10.7 ↗		
13: *10.7 ↗	18: 10.4 ↙	Total	198.0
14: 10.0 →	19: *10.7 ↙		
15: 10.5 ↑	20: 10.5 →		



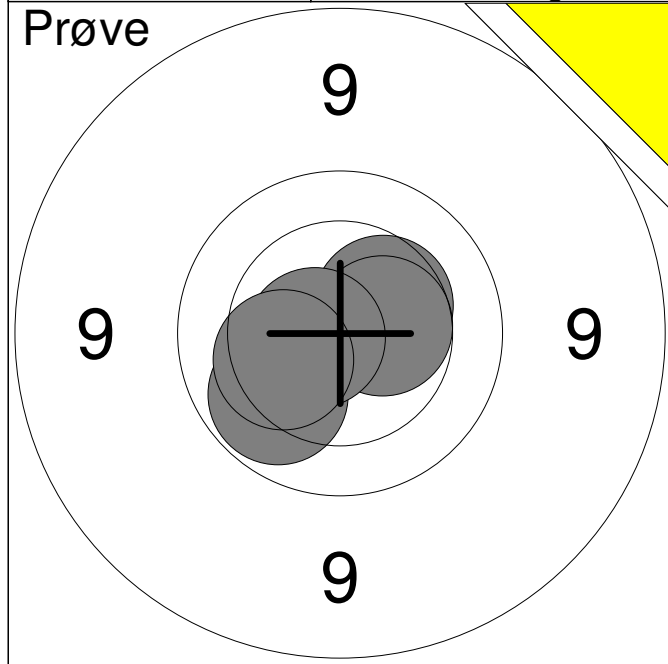
1:	9.7	↗
2:	10.1	↗
3:	10.4	←
4:	*10.6	↗
5:	9.5	↗
6:	*10.7	←
7:	10.5	→
Serie		68.0
Total		0.0



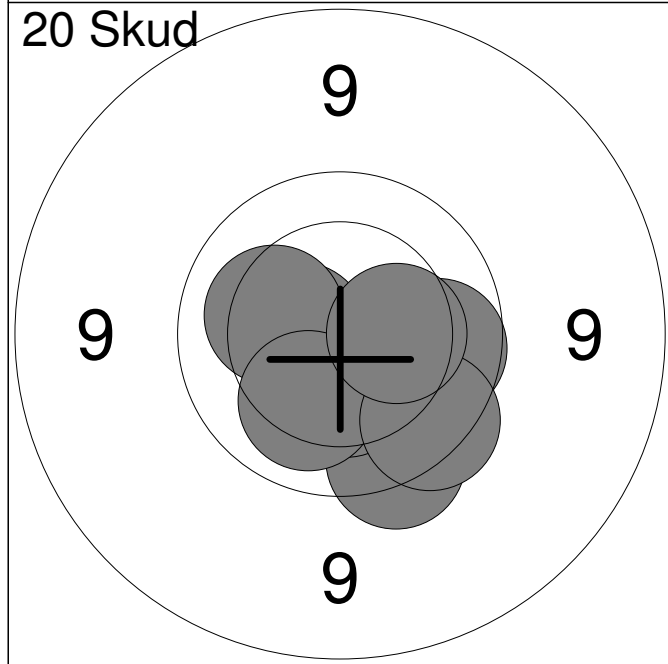
1:	9.7	↖
2:	10.2	↖
3:	10.4	→
4:	9.9	↗
5:	10.2	←
6:	10.0	←
7:	10.3	↙
8:	10.2	←
9:	10.3	←
10:	10.0	↖
Serie		98.0
Total		98.0



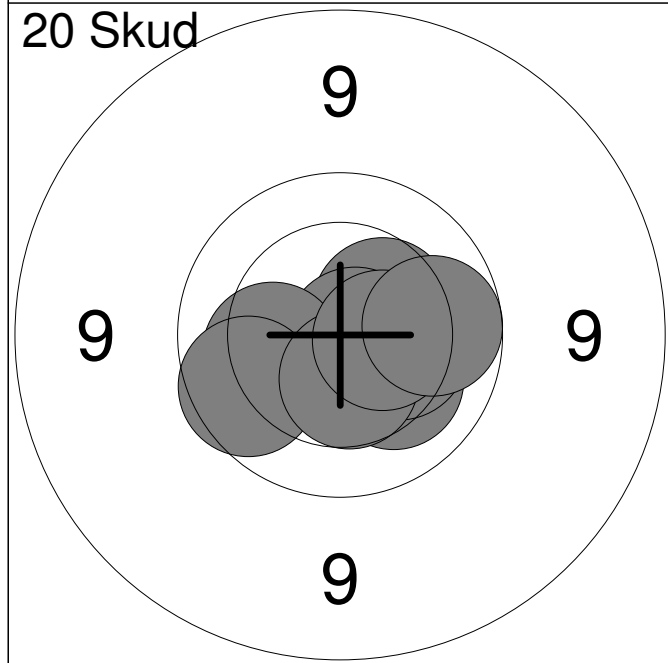
11:	10.3	↘
12:	*10.5	↖
13:	9.9	↘
14:	*10.6	↙
15:	10.2	←
16:	10.4	←
17:	10.2	↖
18:	9.1	↙
19:	10.4	↖
20:	10.5	↘
Serie		98.0
Total		196.0



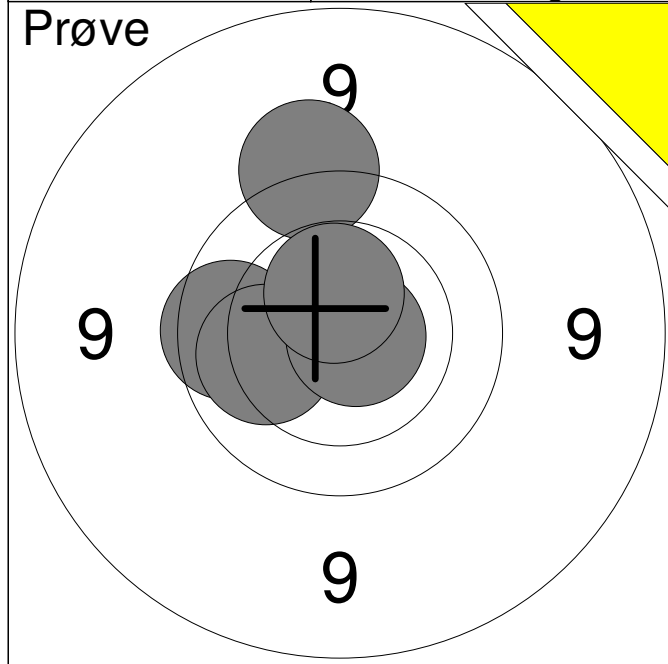
1:	10.4	↗
2:	10.5	→
3:	10.0	↙
4:	*10.7	←
5:	10.3	←
Serie		50.0
Total		0.0



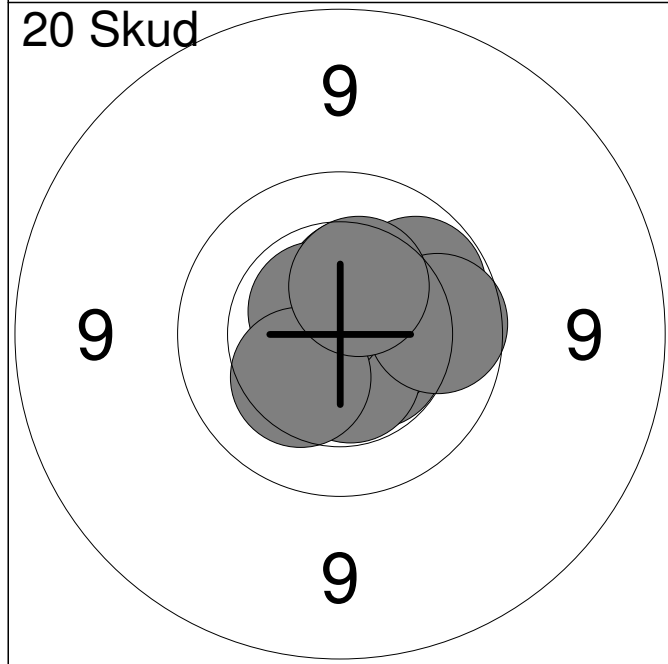
1:	10.3	↘
2:	10.4	↘
3:	9.7	↘
4:	10.4	↘
5:	*10.5	←
6:	10.2	←
7:	10.2	↙
8:	9.9	→
9:	9.7	↘
10:	10.3	→
Serie		97.0
Total		97.0



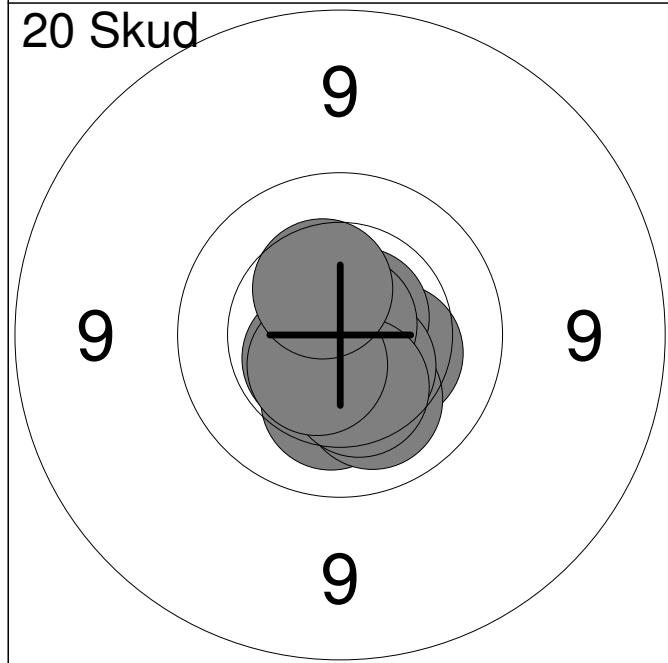
11:	*10.7	↘
12:	10.4	↗
13:	*10.8	→
14:	10.2	↘
15:	10.3	→
16:	10.2	←
17:	9.9	←
18:	10.5	↘
19:	10.5	→
20:	10.0	→
Serie		99.0
Total		196.0



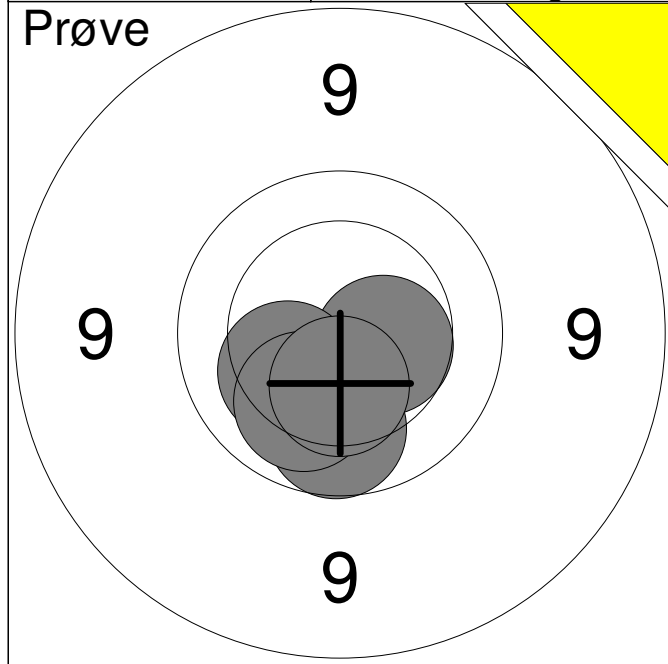
1:	9.5	↑
2:	9.8	←
3:	10.1	←
4:	*10.8	→
5:	*10.5	↑
Serie		48.0
Total		0.0



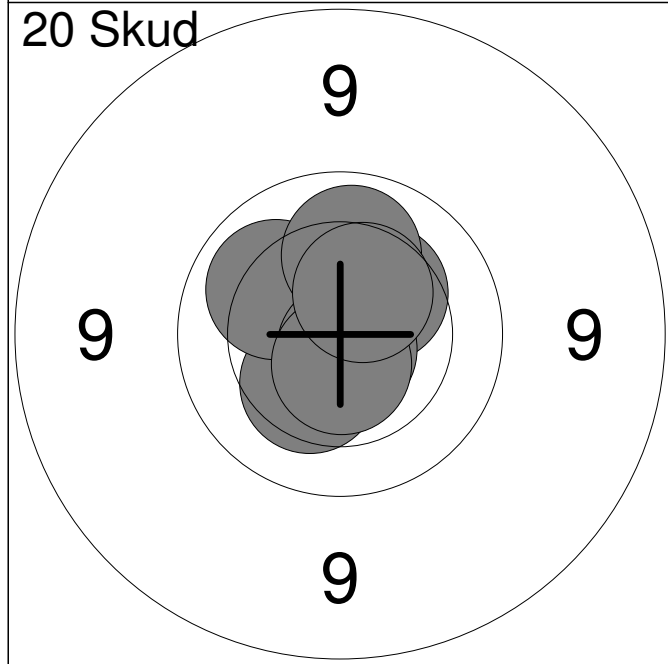
1:	10.4	↑
2:	*10.5	↘
3:	10.0	↗
4:	*10.6	→
5:	*10.6	↑
6:	*10.5	↓
7:	9.9	→
8:	*10.6	↗
9:	10.3	↙
10:	10.4	↑
Serie		99.0
Total		99.0



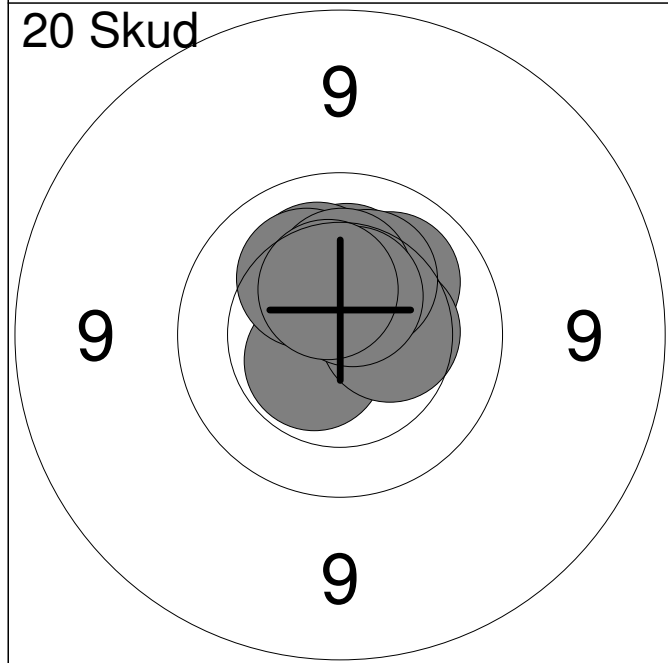
11:	10.3	→
12:	10.2	↓
13:	*10.7	↗
14:	10.2	↓
15:	*10.5	↓
16:	*10.8	↗
17:	*10.6	←
18:	10.3	↓
19:	*10.5	↙
20:	10.4	↑
Serie		100.0
Total		199.0



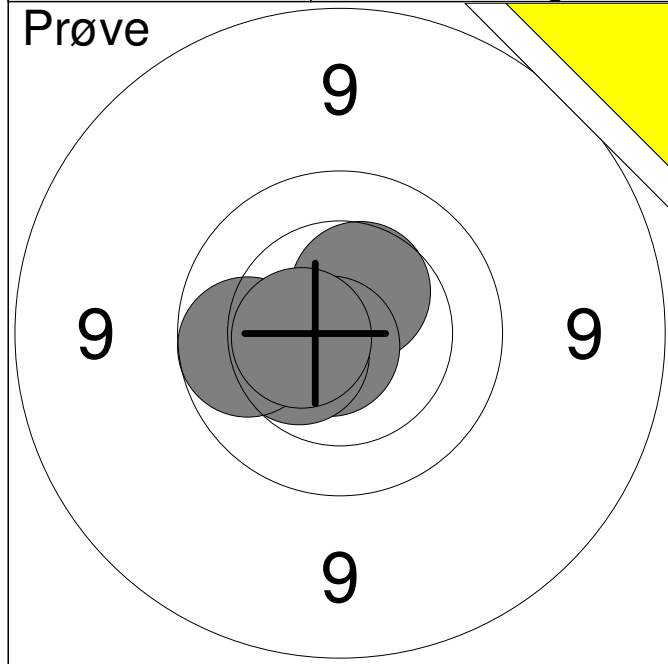
1:	10.5	→
2:	10.3	↓
3:	10.1	↙
4:	9.9	↓
5:	10.3	↖
6:	10.1	↙
7:	10.4	↓
Serie		69.0
Total		0.0



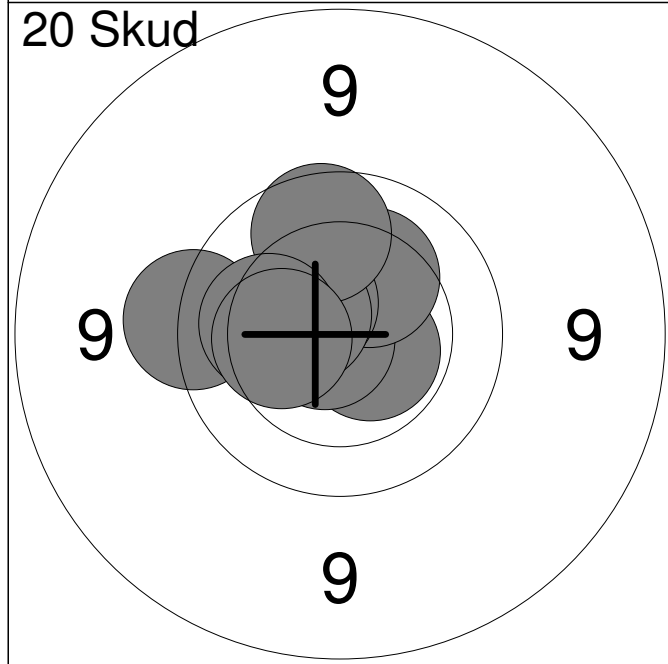
1:	*10.9	↓
2:	*10.8	↓
3:	10.4	↗
4:	*10.7	↗
5:	10.3	↙
6:	10.1	↖
7:	*10.8	↓
8:	10.1	↑
9:	*10.6	↓
10:	10.4	↗
Serie		100.0
Total		100.0



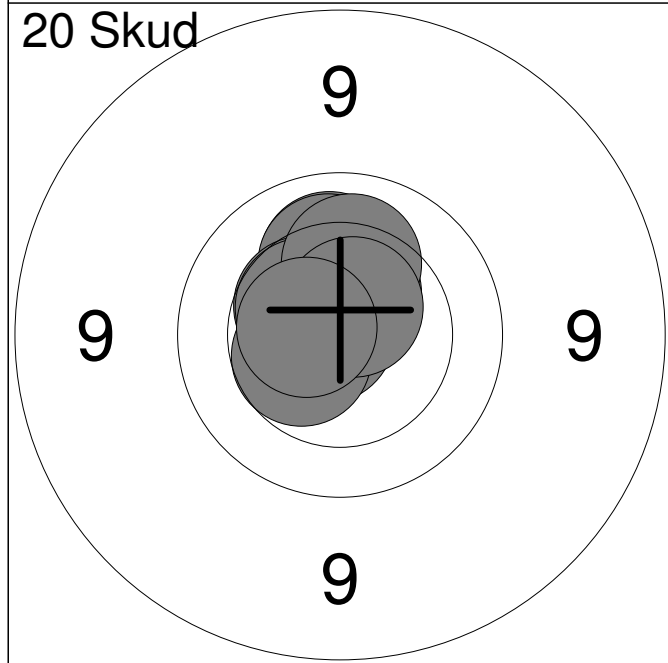
11:	*10.6	↖
12:	10.2	↗
13:	10.4	→
14:	10.3	↑
15:	10.2	↖
16:	10.3	↗
17:	10.2	↖
18:	10.3	↑
19:	*10.5	↗
20:	10.4	↑
Serie		100.0
Total		200.0



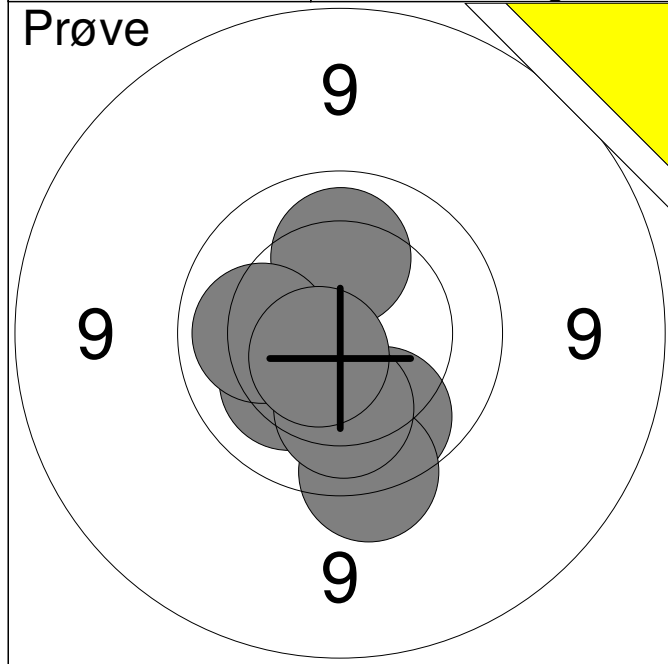
1:	10.4	↗
2:	*10.8	↘
3:	10.5	↙
4:	9.9	←
5:	*10.5	←
Serie		49.0
Total		0.0



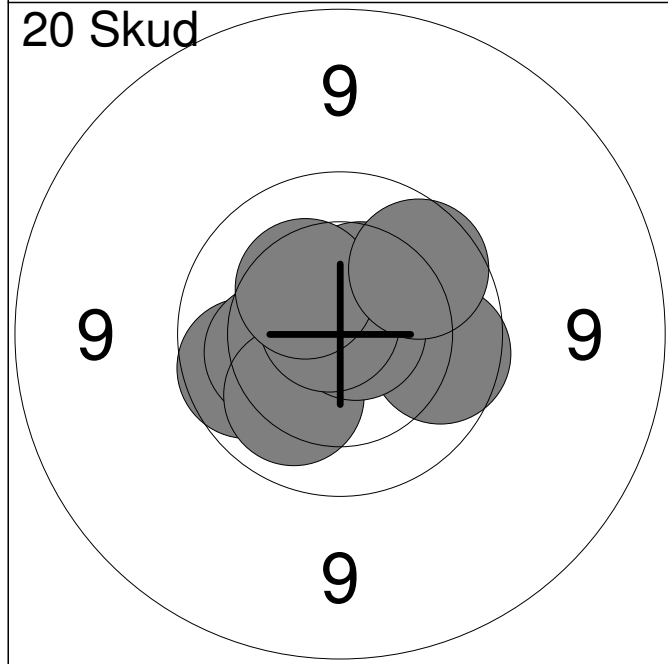
1:	*10.6	↗
2:	*10.6	↘
3:	9.6	←
4:	*10.8	←
5:	10.3	↗
6:	10.5	↗
7:	10.5	↗
8:	9.9	↑
9:	10.2	←
10:	10.3	←
Serie		98.0
Total		98.0



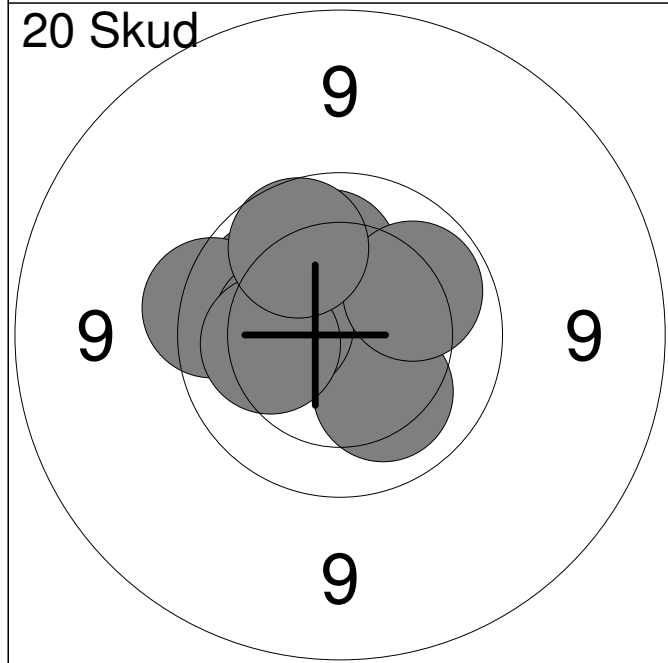
11:	10.2	↑
12:	10.5	↑
13:	10.2	↑
14:	10.4	↗
15:	10.5	↗
16:	*10.8	←
17:	10.5	↙
18:	10.2	↑
19:	*10.6	↗
20:	*10.6	←
Serie		100.0
Total		198.0



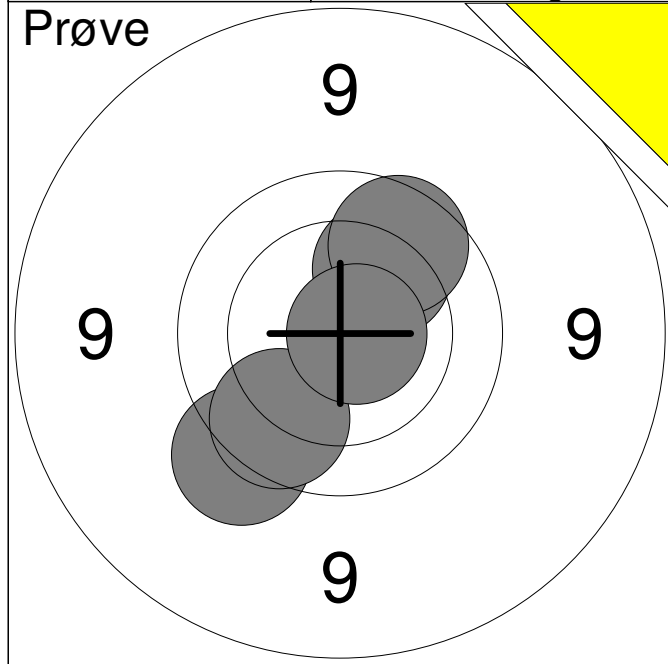
1:	9.9	↘
2:	9.7	↘
3:	10.2	↙
4:	10.1	↓
5:	10.1	↑
6:	10.1	←
7:	*10.6	↙
Serie		68.0
Total		0.0



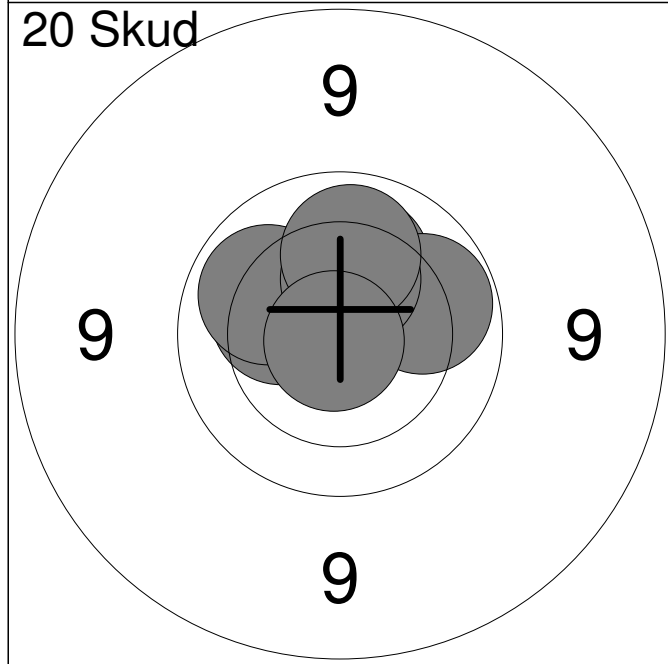
1:	9.9	←
2:	10.2	←
3:	10.1	↙
4:	*10.6	↑
5:	10.4	↑
6:	9.9	→
7:	*10.8	→
8:	*10.8	↗
9:	10.3	↗
10:	9.9	↗
Serie		97.0
Total		97.0



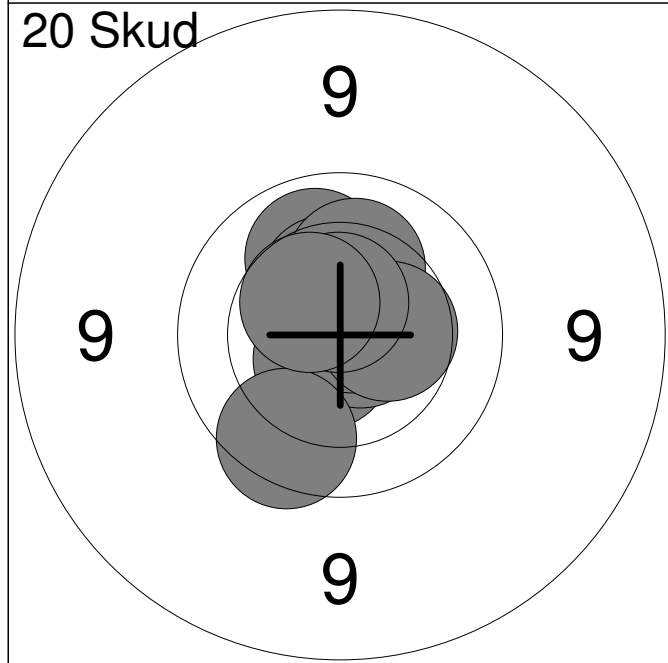
11:	*10.5	←
12:	*10.6	↗
13:	10.1	↗
14:	10.1	↑
15:	9.7	←
16:	10.2	↘
17:	10.3	←
18:	10.0	↗
19:	10.2	←
20:	9.9	↗
Serie		98.0
Total		195.0



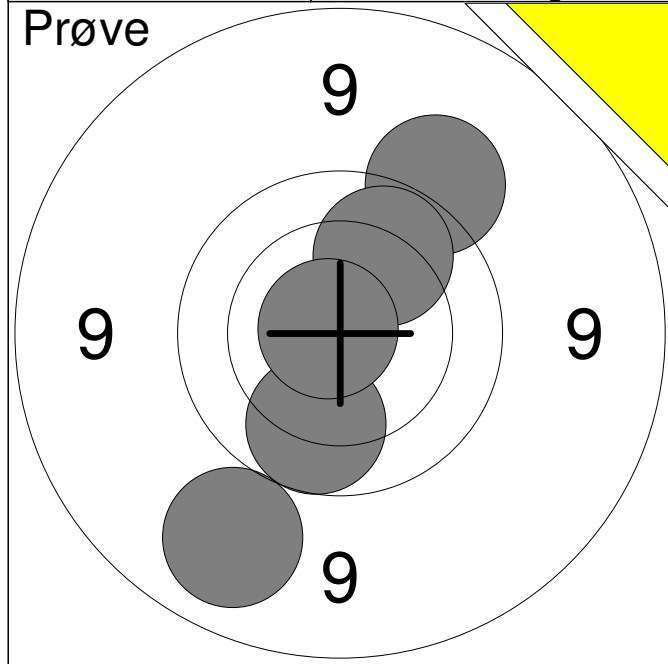
1:	9.6	↙
2:	9.9	↙
3:	10.1	↗
4:	9.9	↗
5:	*10.8	→
Serie		47.0
Total		0.0



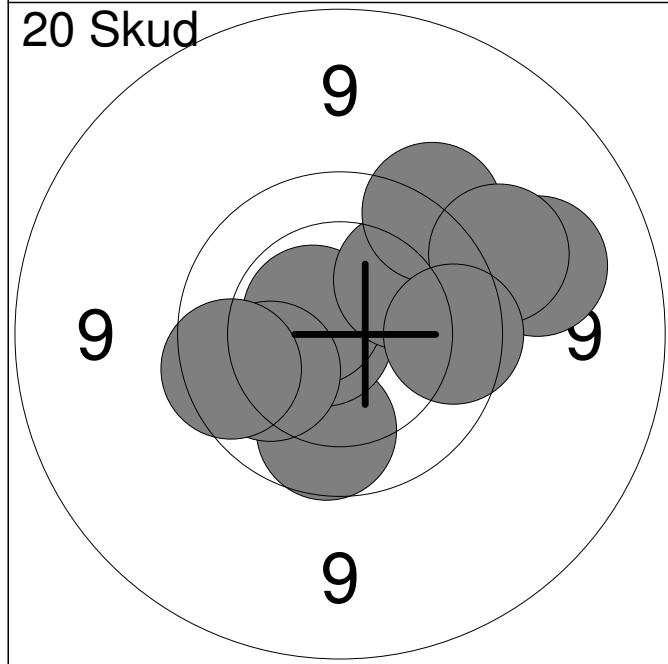
1:	10.2	↗
2:	*10.6	↗
3:	10.2	↗
4:	*10.6	↖
5:	10.3	↖
6:	10.0	→
7:	10.1	↖
8:	10.3	↗
9:	10.1	↗
10:	*10.8	↙
Serie		100.0
Total		100.0



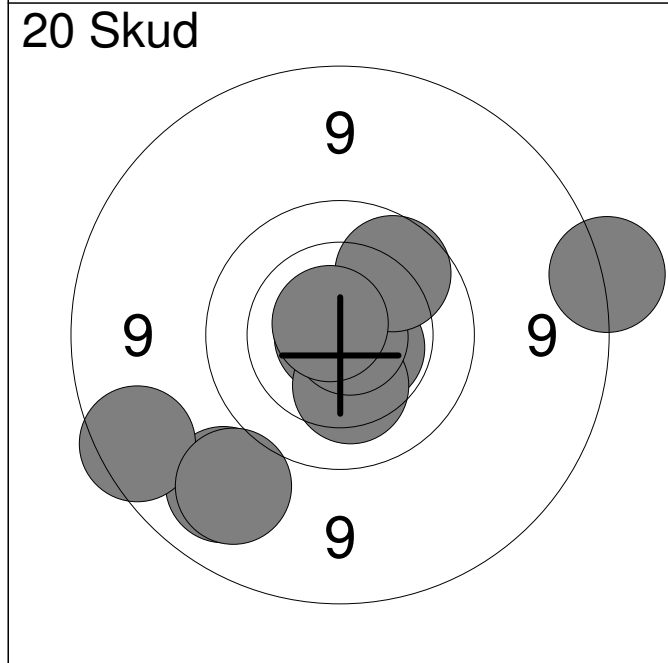
11:	*10.6	↙
12:	10.1	↗
13:	*10.7	→
14:	*10.8	↗
15:	10.4	↗
16:	9.8	↙
17:	10.2	↗
18:	10.4	→
19:	*10.6	↗
20:	10.5	↖
Serie		99.0
Total		199.0



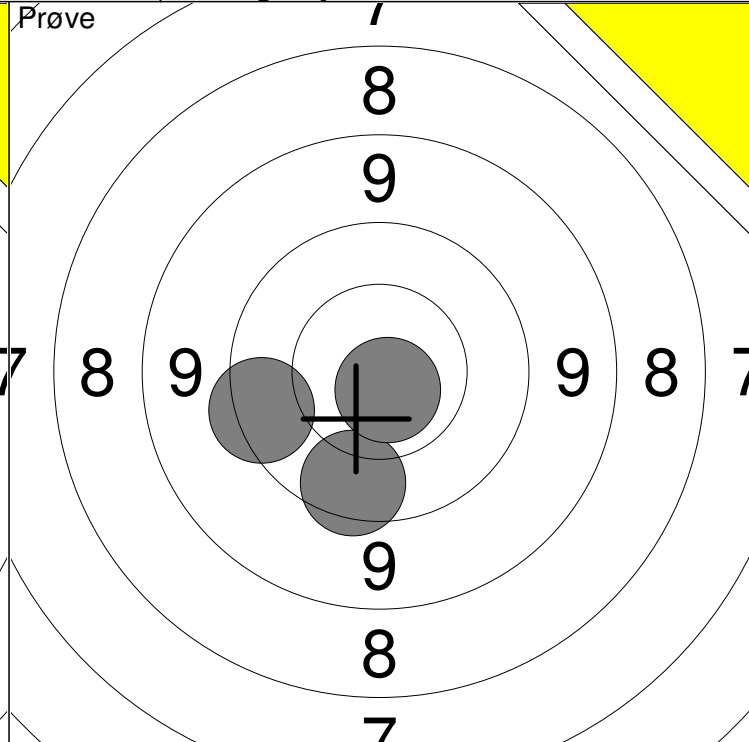
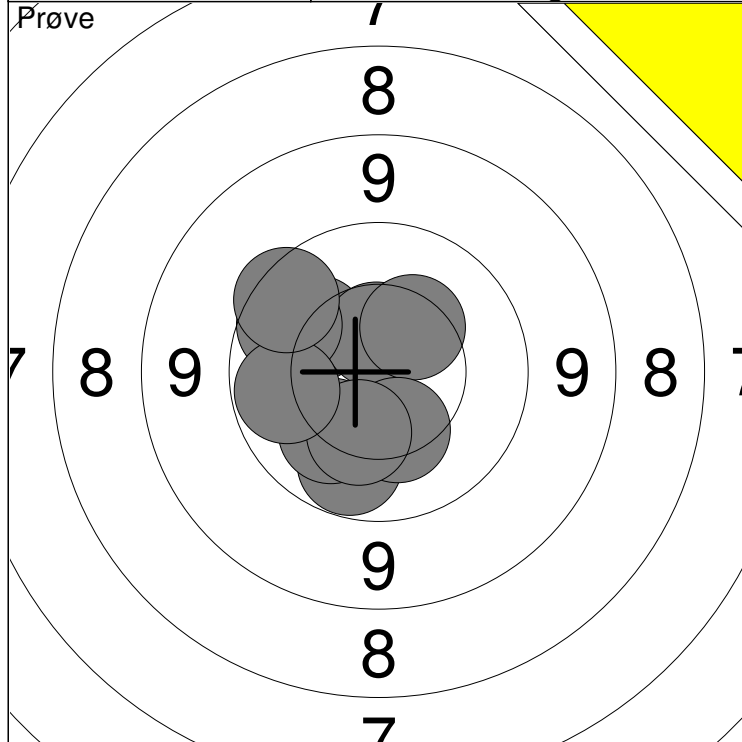
1:	9.4	↗
2:	10.0	↗
3:	9.9	↘
4:	9.1	↘
5:	*10.8	↖
Serie		47.0
Total		0.0



1:	9.9	↘
2:	*10.8	↖
3:	*10.6	↗
4:	10.1	↖
5:	9.8	↖
6:	10.0	↗
7:	9.2	→
8:	9.6	↗
9:	9.4	→
10:	9.8	→
Serie		94.0
Total		94.0

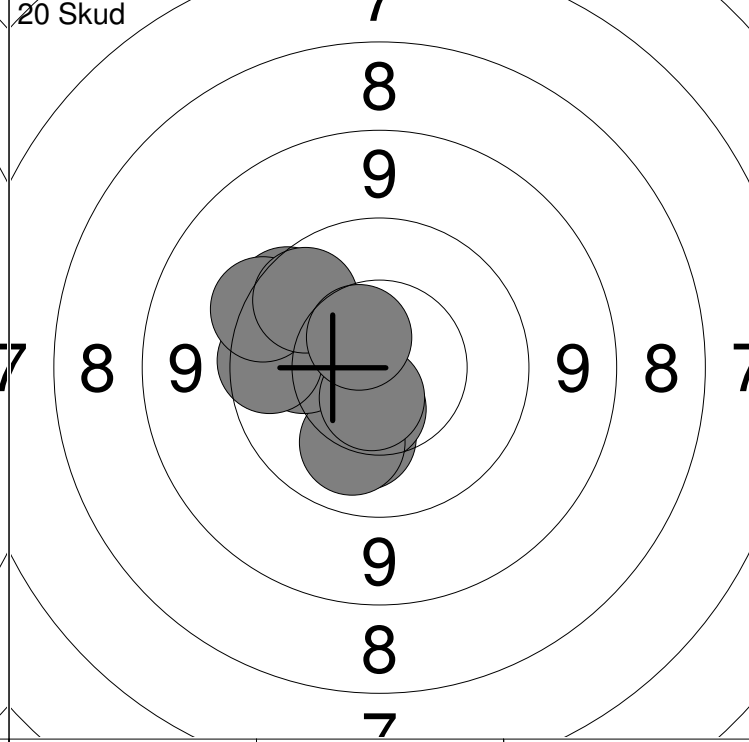
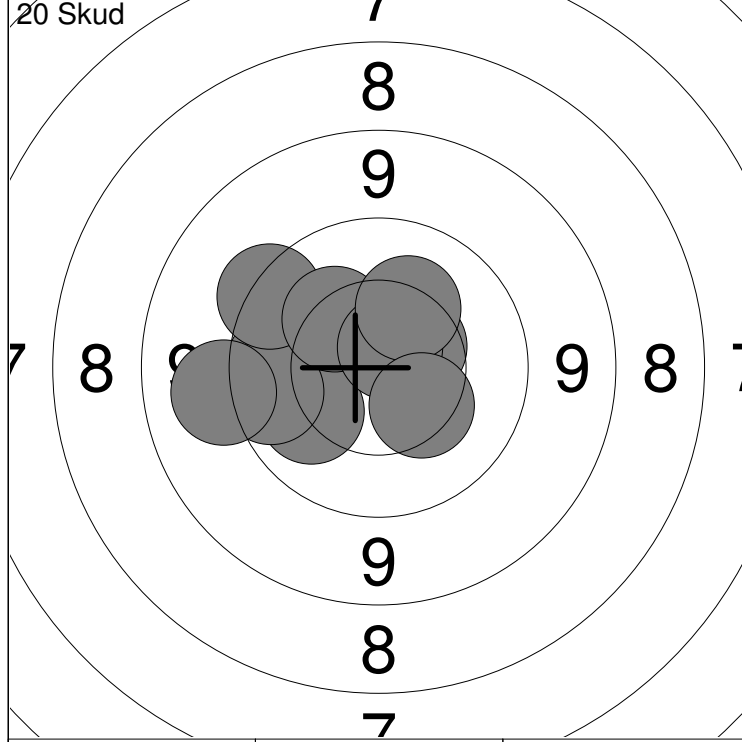


11:	*10.8	↖
12:	8.6	→
13:	*10.6	↘
14:	9.1	↘
15:	10.3	↘
16:	*10.8	→
17:	8.9	↖
18:	9.9	↗
19:	9.1	↘
20:	*10.8	↗
Serie		93.0
Total		187.0



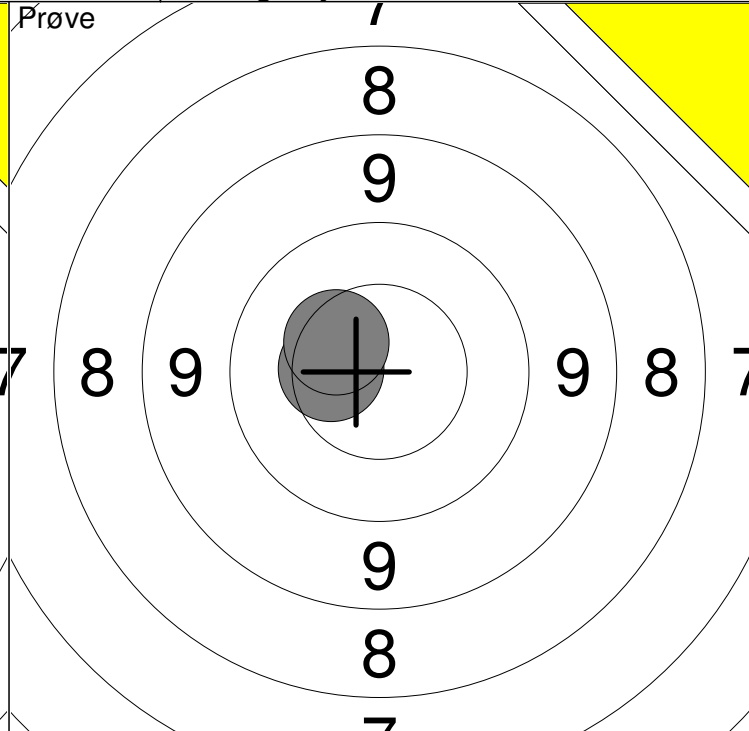
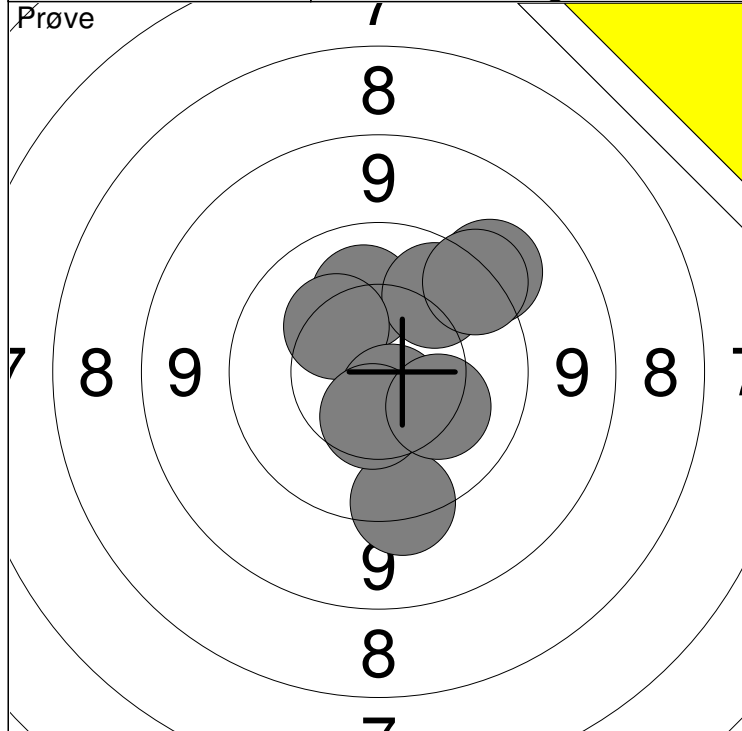
1: 10.0 ↓	6: 10.3 ↓	Serie	98.0
2: 10.2 ↖	7: 9.9 ↖		
3: 10.6 ↑	8: 10.3 ↓	Total	0.0
4: 10.4 ↗	9: 10.0 ←		
5: 10.2 ↙	10: 9.7 ↖		

11: 9.8 ↓	Serie	28.0
12: *10.7 ↓		
13: 9.6 ←	Total	0.0



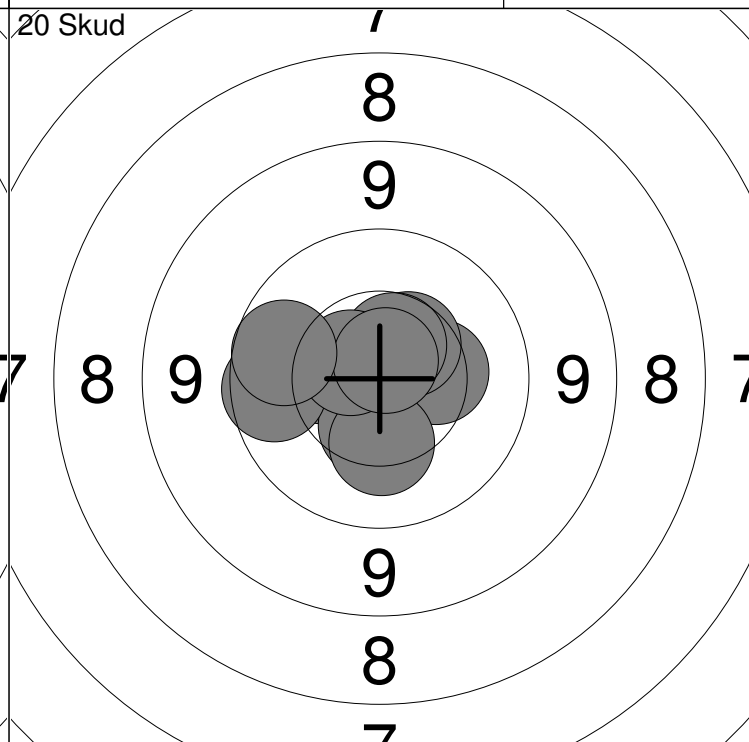
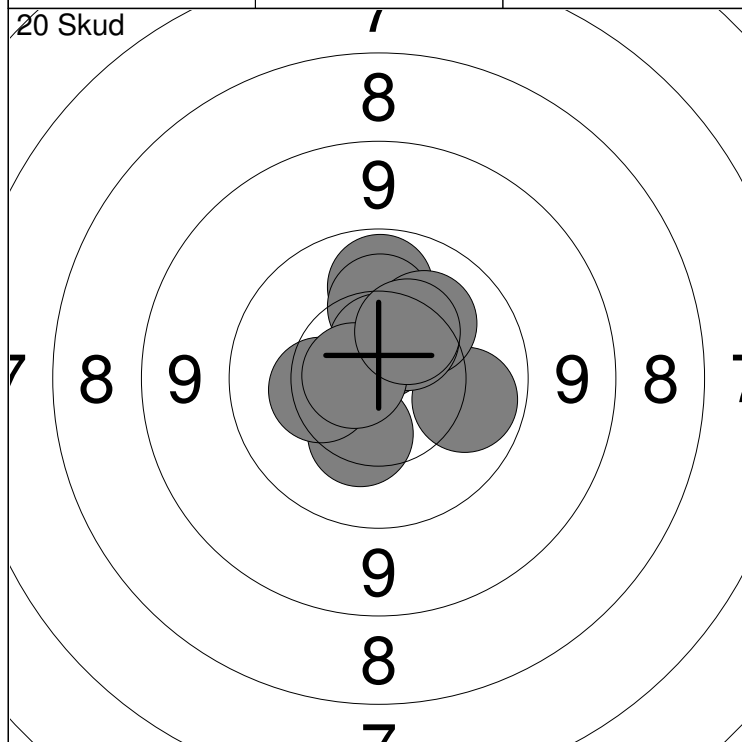
1: 9.9 ←	6: 10.3 ↖	Serie	96.0
2: 10.1 ↖	7: *10.7 ↗		
3: 10.5 ↗	8: 10.3 ↗	Total	96.0
4: 9.8 ←	9: 10.4 ↘		
5: 9.6 ↖	10: 9.3 ←		

11: 10.2 ↓	16: *10.6 ↓	Serie	96.0
12: 10.5 ↓	17: 9.8 ←		
13: 10.1 ↓	18: 9.6 ←	Total	192.0
14: 10.2 ←	19: 9.9 ↖		
15: 9.7 ↖	20: 10.6 ↖		



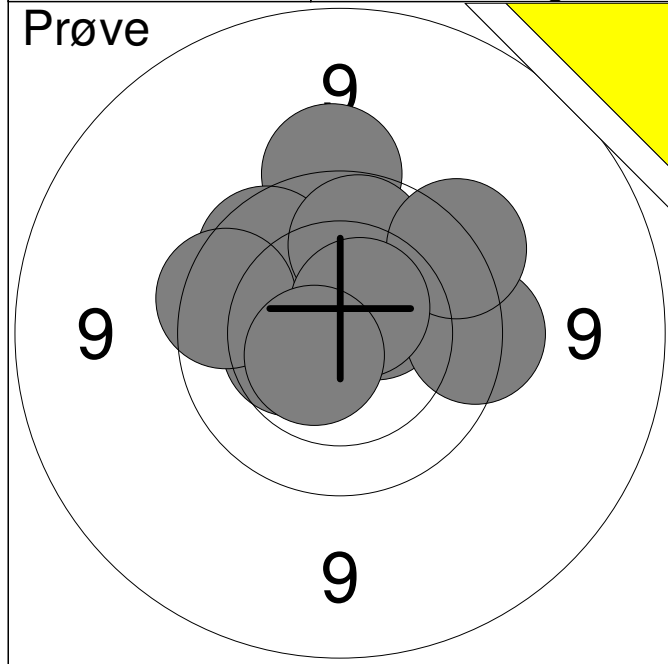
1: 10.2 ↑	6: 9.6 ↗	Serie 97.0
2: *10.6 ↓	7: *10.7 ↓	
3: 10.0 ↗	8: 9.5 ↓	Total 0.0
4: 9.4 ↗	9: 10.5 ↓	
5: 10.3 ↖	10: 10.2 ↘	

11: 10.4 ←	Serie 20.0
12: 10.4 ↖	
	Total 0.0

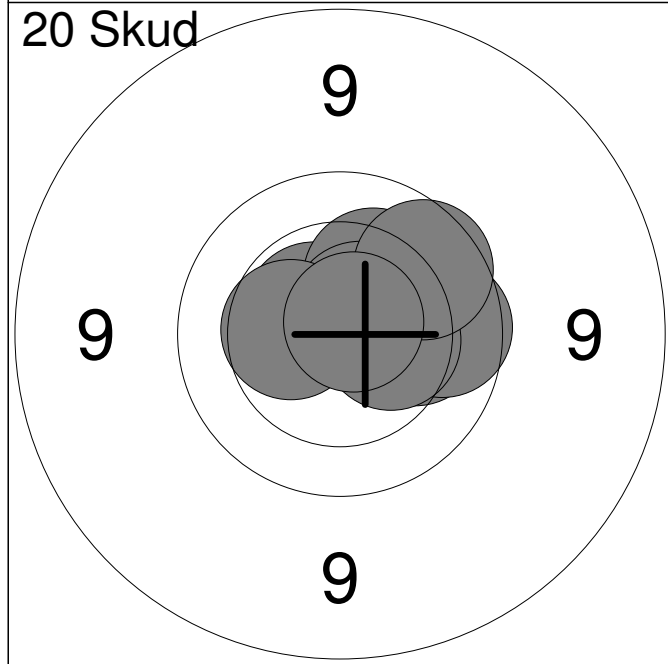


1: 10.0 ↑	6: 10.4 ↓	Serie 100.0
2: 10.2 ↑	7: 10.4 ↗	
3: 10.0 →	8: 10.3 ←	Total 100.0
4: 10.2 ↗	9: *10.7 ↖	
5: *10.6 ↑	10: 10.4 ↗	

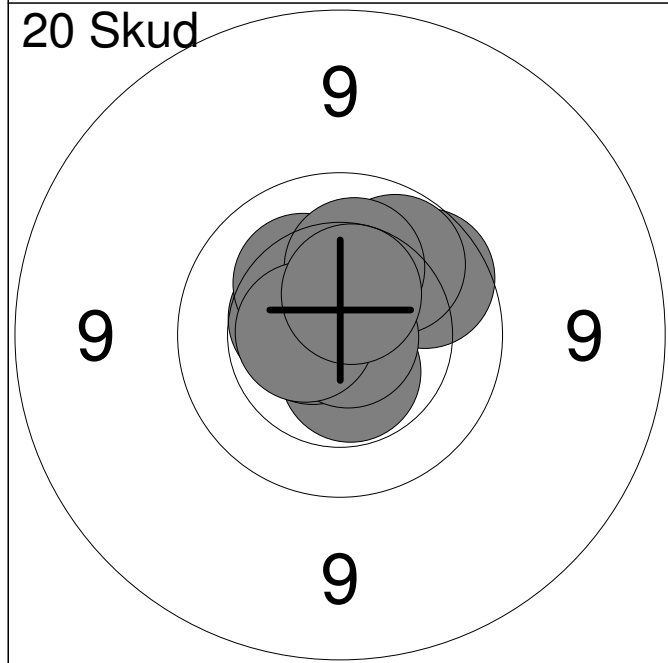
11: 10.4 ←	16: 10.5 ↗	Serie 98.0
12: 10.5 ↓	17: 10.6 ↗	
13: 10.4 →	18: *10.6 ↖	Total 198.0
14: 9.9 ←	19: *10.8 ↑	
15: 10.3 ↓	20: 9.9 ←	



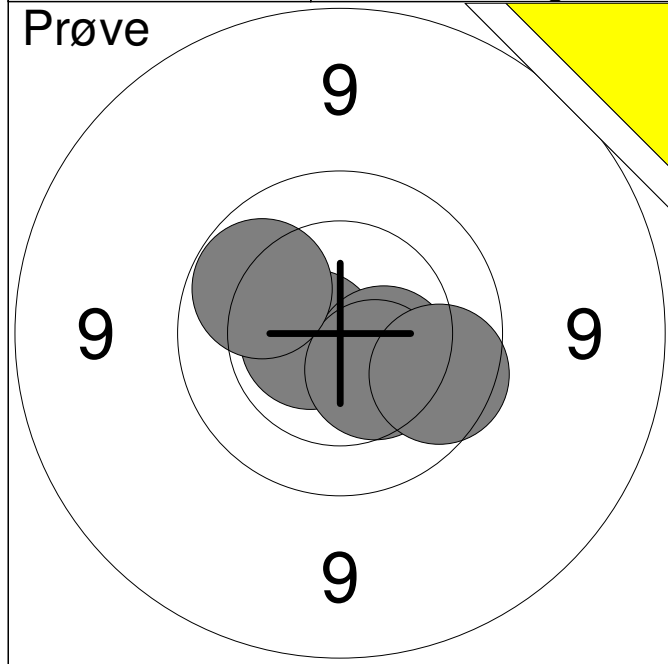
1:	10.4	←
2:	9.5	↑
3:	9.9	↖
4:	10.5	↗
5:	10.0	↑
6:	9.7	→
7:	9.6	↗
8:	9.8	←
9:	*10.6	↗
10:	*10.6	↙
Serie		95.0
Total		0.0



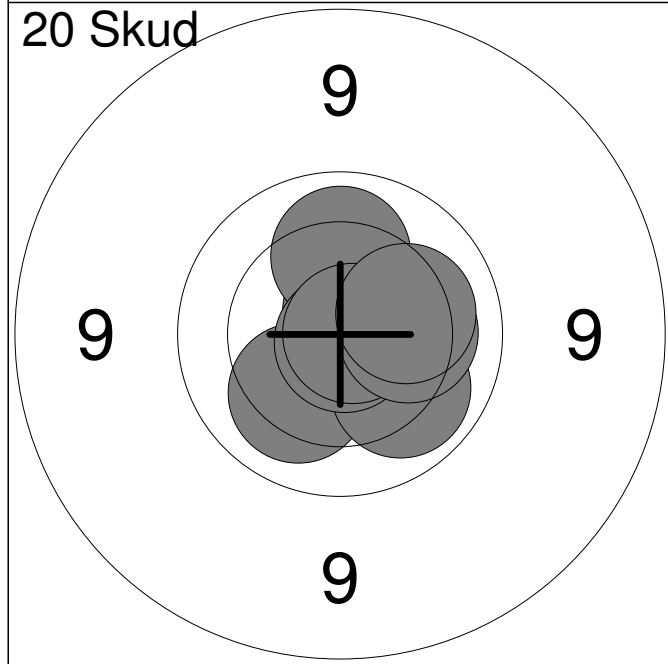
1:	*10.6	↖
2:	10.1	→
3:	9.9	→
4:	*10.5	↗
5:	10.2	↗
6:	*10.6	↗
7:	10.4	→
8:	10.4	←
9:	9.9	↗
10:	*10.8	↗
Serie		98.0
Total		98.0



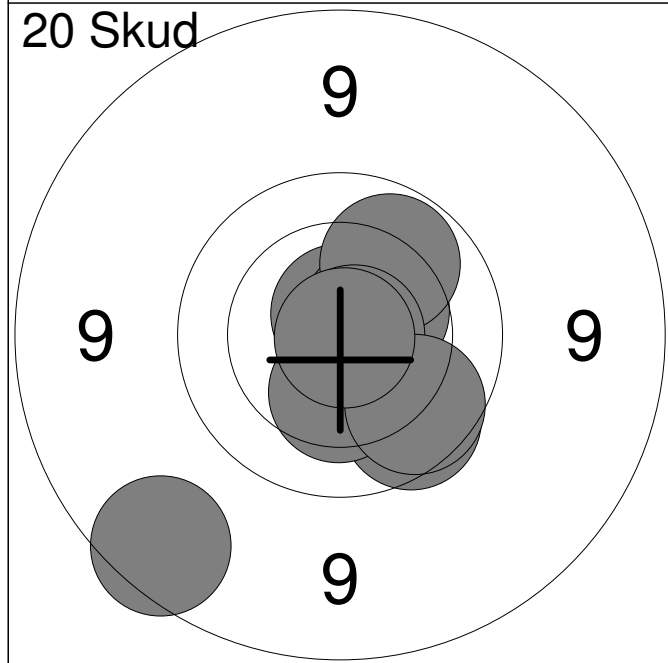
11:	9.9	↗
12:	*10.5	↓
13:	10.0	↗
14:	10.5	←
15:	10.3	↗
16:	10.2	↑
17:	*10.7	←
18:	*10.9	→
19:	*10.6	←
20:	*10.5	↑
Serie		99.0
Total		197.0



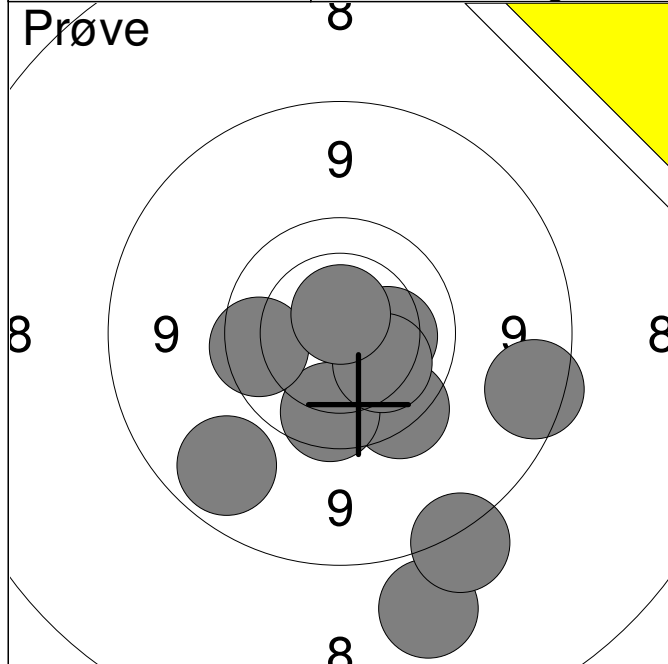
1:	*10.6	←
2:	10.4	↘
3:	10.4	↘
4:	10.0	↗
5:	9.9	↘
Serie		49.0
Total		0.0



1:	10.2	↙
2:	10.1	↘
3:	*10.6	↗
4:	10.4	↗
5:	*10.7	↗
6:	10.1	↑
7:	*10.8	↘
8:	*10.8	→
9:	10.2	→
10:	10.2	→
Serie		100.0
Total		100.0

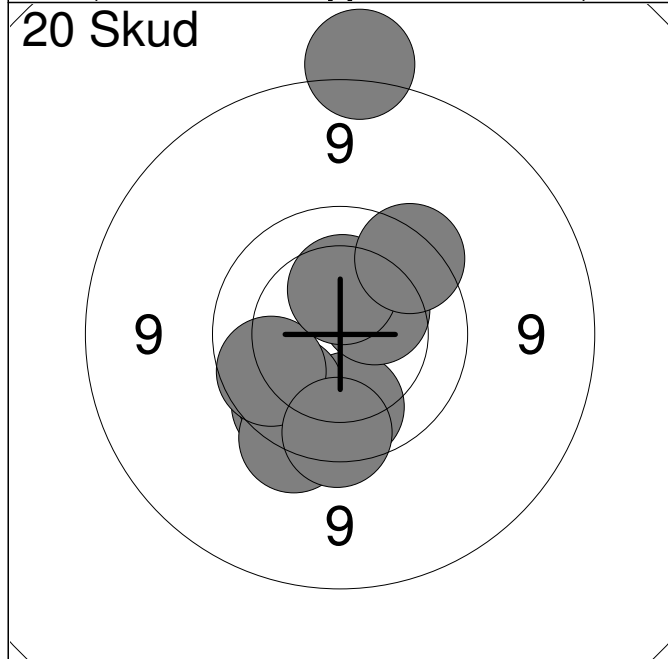


11:	*10.7	↑
12:	*10.5	↗
13:	10.4	↗
14:	9.8	↘
15:	10.0	↗
16:	8.9	↙
17:	10.3	↘
18:	*10.8	→
19:	9.9	↘
20:	*10.9	↘
Serie		96.0
Total		196.0



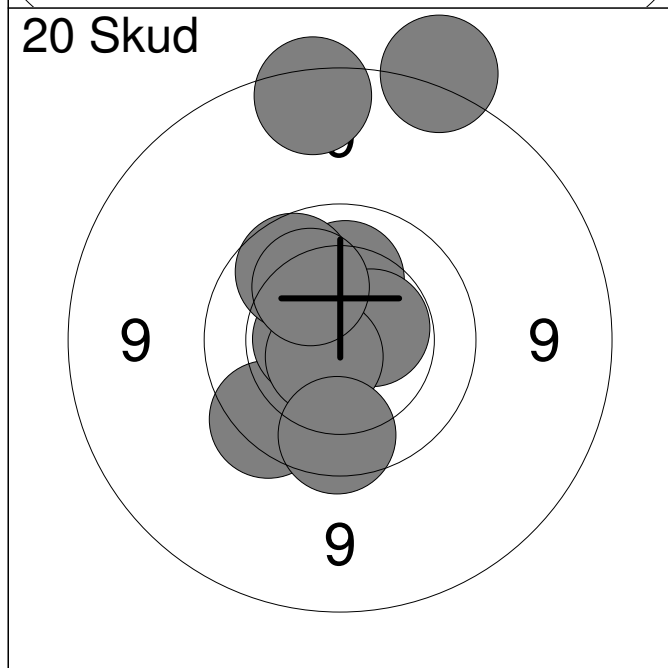
1:	8.4	↓
2:	9.7	↓
3:	9.8	↓
4:	10.2	→
5:	9.0	↙
6:	10.2	↓
7:	9.8	←
8:	8.6	↓
9:	8.8	→
10:	*10.7	↑

Serie	90.0
Total	0.0



1:	9.8	↙
2:	9.9	↓
3:	8.6	↑
4:	9.9	↙
5:	9.6	↓
6:	9.9	↙
7:	9.7	↓
8:	10.4	↗
9:	10.3	↑
10:	9.7	↗

Serie	91.0
Total	91.0



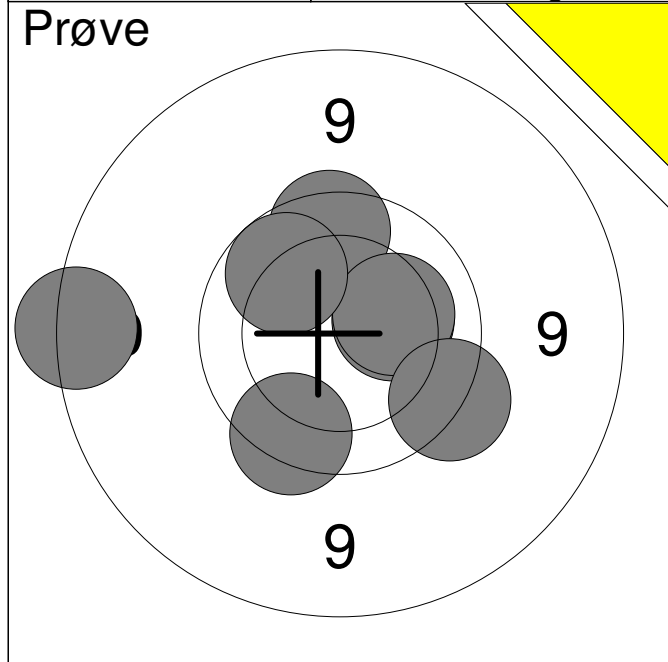
11:	10.2	↑
12:	9.7	↙
13:	8.6	↑
14:	*10.5	→
15:	*10.6	←
16:	8.8	↑
17:	9.9	↗
18:	*10.7	↙
19:	9.8	↓
20:	10.2	↗

Serie	93.0
Total	184.0

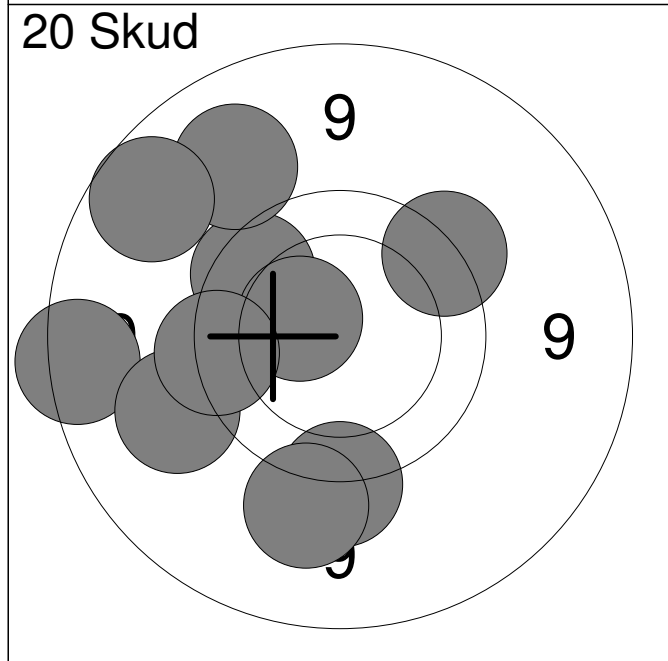
Hold 25	Skive 8	Mathias Østenkær	
-------------------	-------------------	-------------------------	--

15m	Hjørring Skytteforening	J2	
-----	-------------------------	----	--

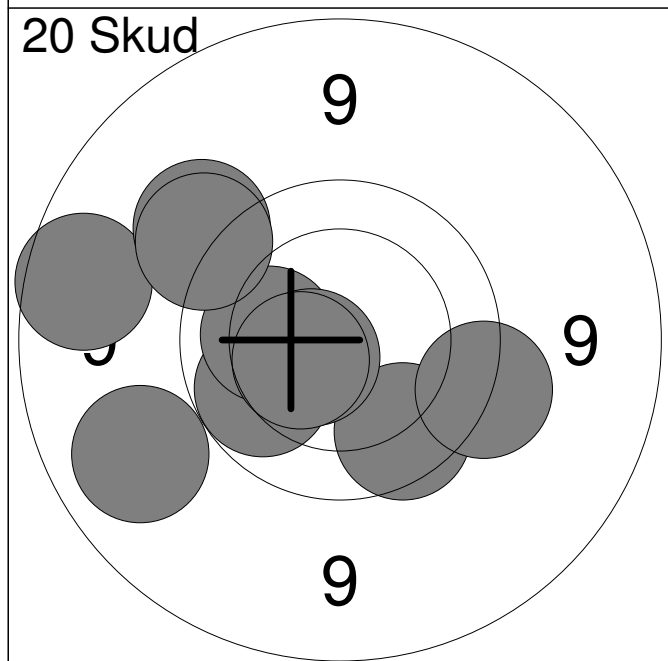
1/3 - 3/3 2013	NM 15 meter Ungdom 2013	Aalborg Skyttekreds	
----------------	-------------------------	---------------------	--



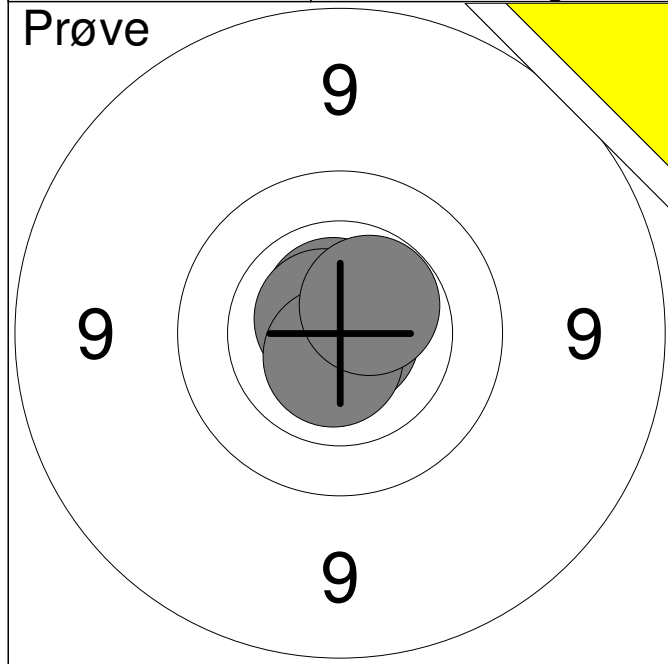
1:	9.8	↑
2:	10.3	→
3:	10.2	→
4:	10.0	↗
5:	9.6	↘
6:	8.8	←
7:	9.7	↙
Serie		65.0
Total		0.0



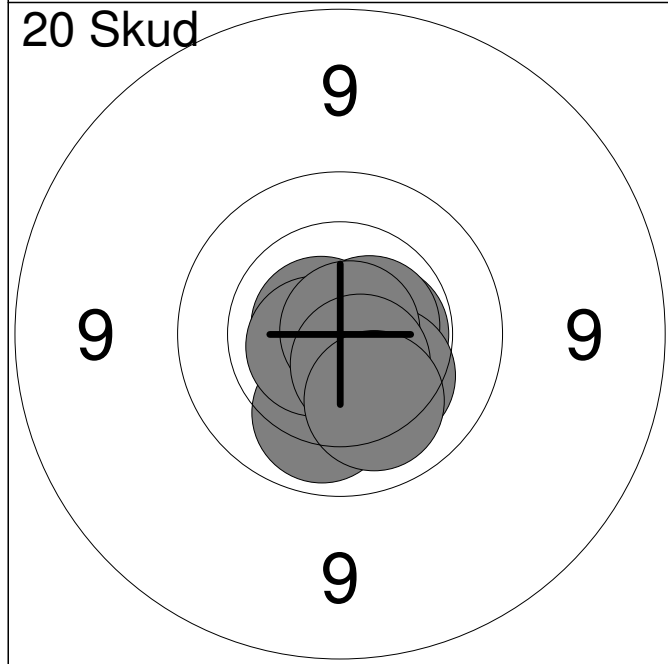
1:	9.8	↗
2:	8.8	←
3:	9.5	↓
4:	9.3	↘
5:	9.2	↗
6:	10.4	↗
7:	9.3	←
8:	9.6	↗
9:	9.7	←
10:	8.9	↗
Serie		89.0
Total		89.0



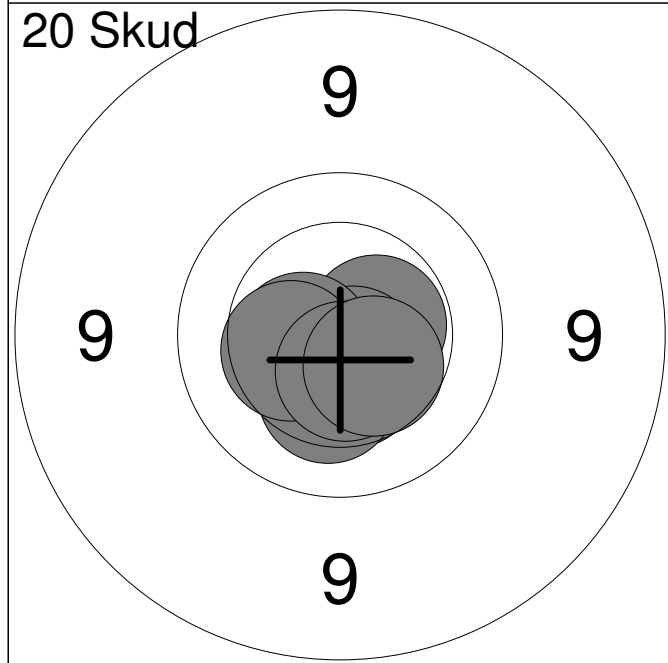
11:	10.0	↙
12:	9.1	↙
13:	10.2	←
14:	9.8	↘
15:	8.9	←
16:	9.4	↗
17:	*10.6	↙
18:	10.5	↙
19:	9.5	↗
20:	9.6	↘
Serie		93.0
Total		182.0



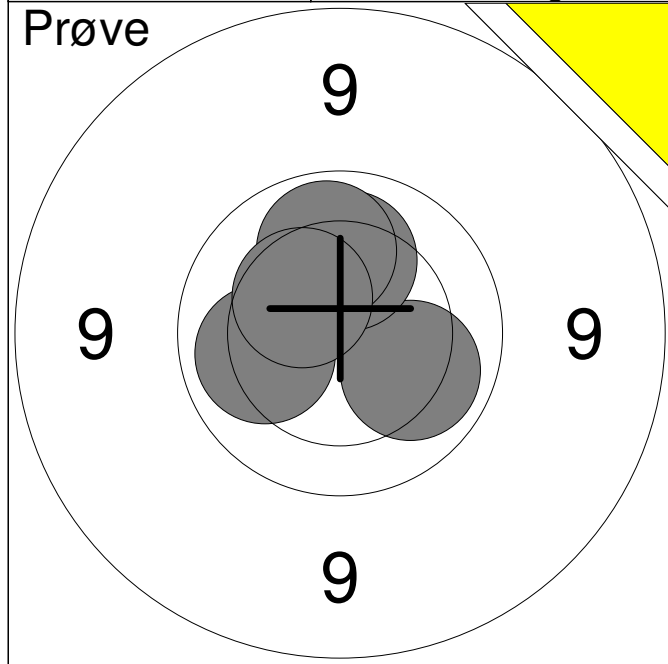
1:	*10.7	↑
2:	*10.8	→
3:	*10.7	↗
4:	*10.7	↓
5:	*10.5	↘
Serie		50.0
Total		0.0



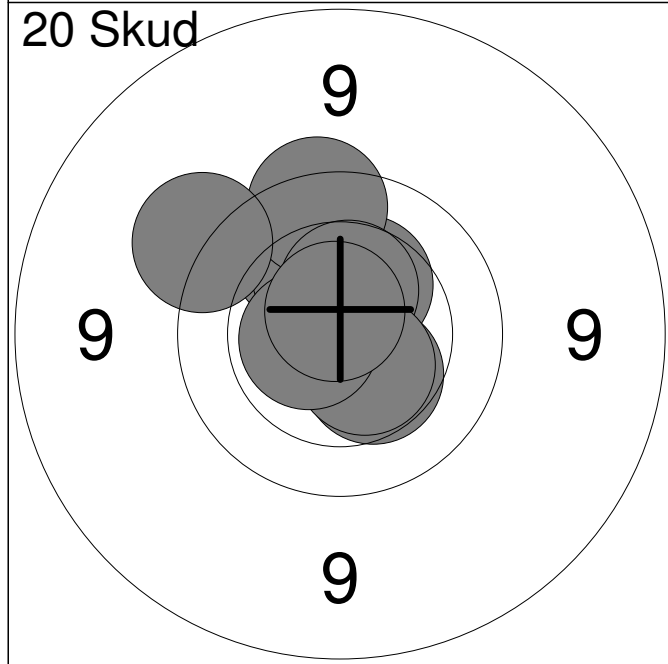
1:	*10.5	→
2:	10.5	↓
3:	*10.6	→
4:	10.1	↓
5:	10.3	↓
6:	*10.7	↖
7:	*10.7	←
8:	*10.8	→
9:	*10.6	↓
10:	10.1	↓
Serie		100.0
Total		100.0



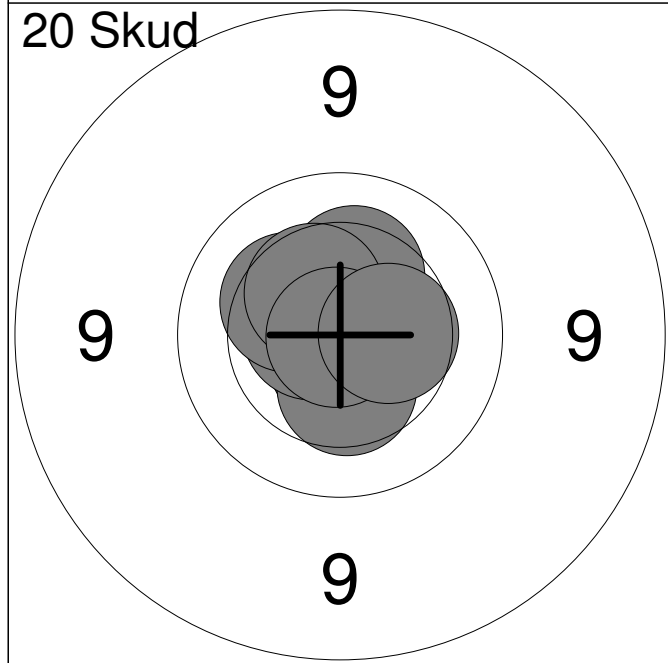
11:	*10.7	↙
12:	10.5	↓
13:	*10.5	→
14:	10.4	↓
15:	*10.7	↓
16:	10.3	↓
17:	*10.5	←
18:	10.4	←
19:	*10.6	↓
20:	10.5	↘
Serie		100.0
Total		200.0



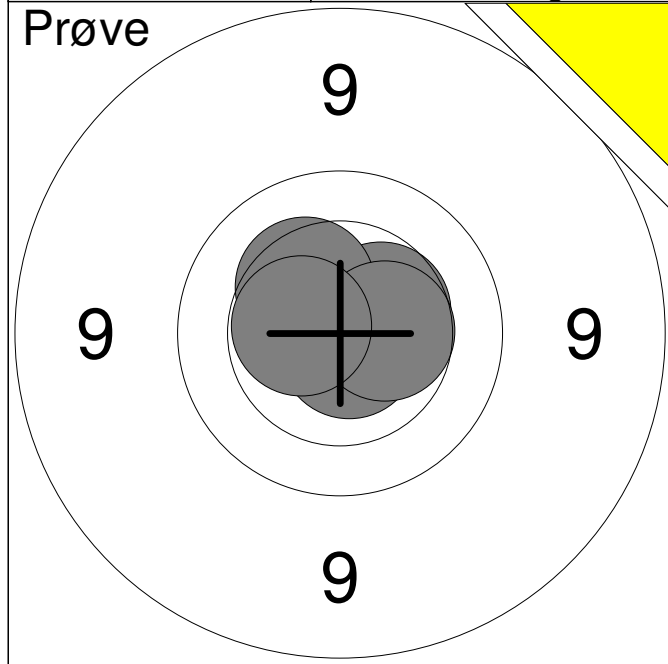
1:	10.1	→
2:	10.2	↑
3:	10.1	←
4:	10.0	↑
5:	10.4	↗
Serie		50.0
Total		0.0



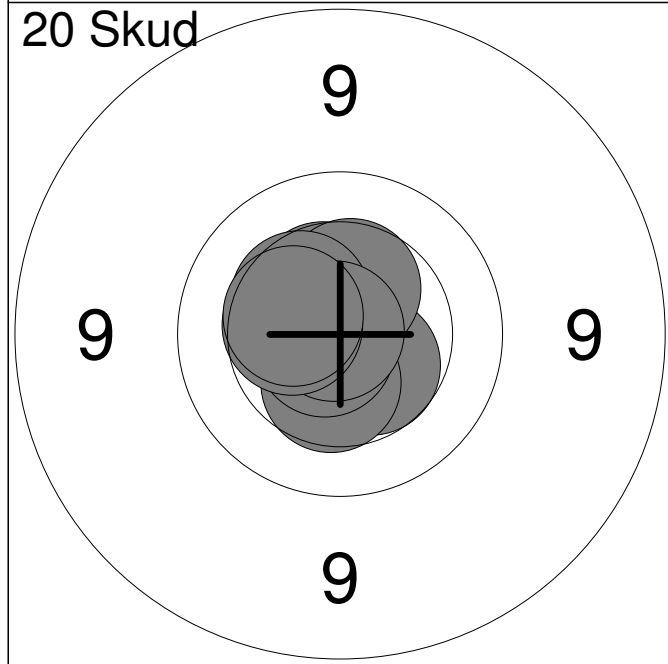
1:	10.0	↖
2:	10.4	↘
3:	10.2	↑
4:	10.4	↗
5:	9.7	↑
6:	9.5	↖
7:	10.5	↑
8:	*10.5	↘
9:	*10.6	←
10:	*10.7	↑
Serie		98.0
Total		98.0



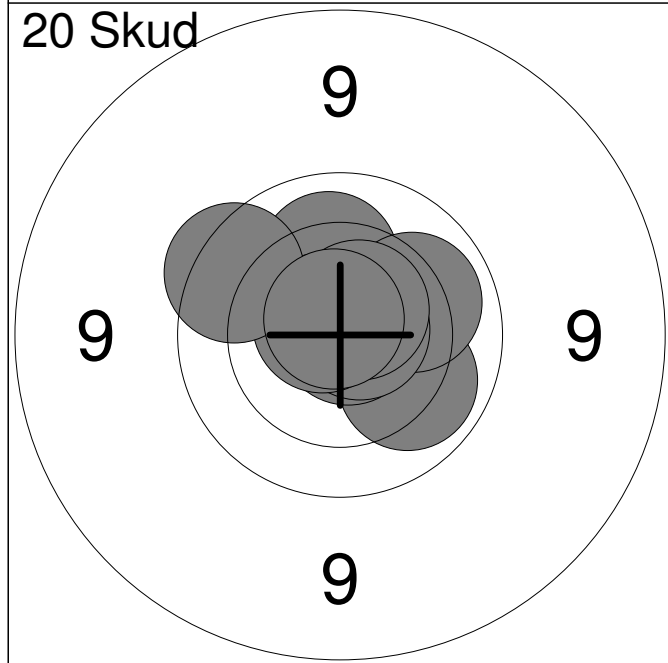
11:	*10.7	↓
12:	10.4	↓
13:	10.4	↑
14:	*10.6	←
15:	*10.6	↗
16:	10.3	↖
17:	10.3	↑
18:	10.4	↗
19:	*10.9	↖
20:	10.4	→
Serie		100.0
Total		198.0



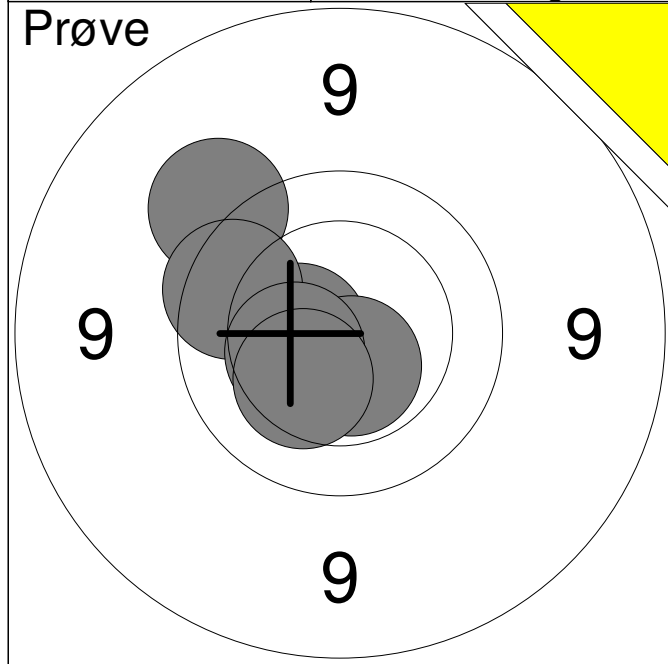
1:	*10.8	↘
2:	10.5	→
3:	10.3	↗
4:	10.5	→
5:	*10.5	←
Serie		50.0
Total		0.0



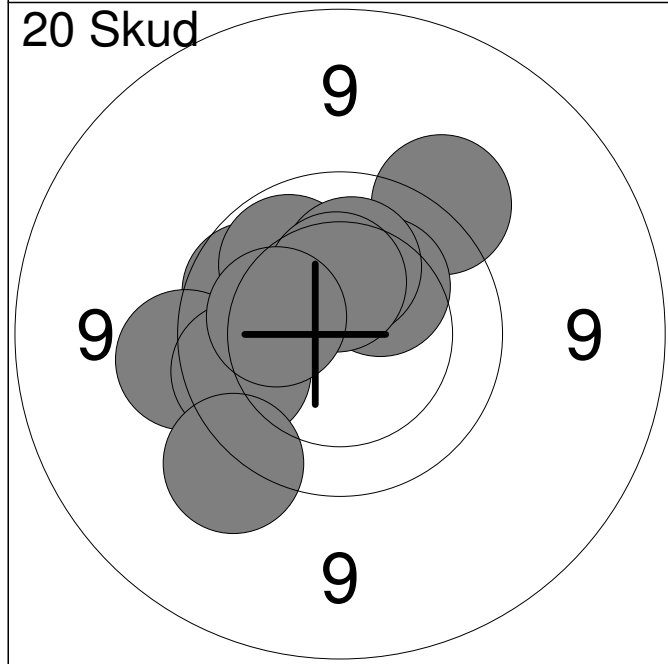
1:	10.5	↖
2:	*10.7	↖
3:	10.5	↘
4:	10.5	↖
5:	10.4	↗
6:	10.4	↘
7:	*10.7	↙
8:	*10.9	↖
9:	10.4	←
10:	10.4	↖
Serie		100.0
Total		100.0



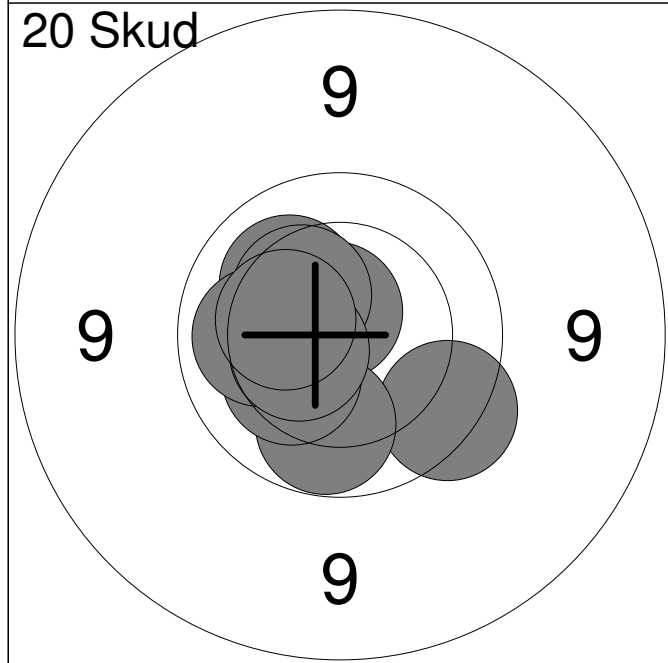
11:	10.1	↘
12:	*10.9	→
13:	*10.8	↖
14:	10.1	↖
15:	10.1	↗
16:	*10.7	→
17:	*10.6	↗
18:	*10.7	↖
19:	9.8	↖
20:	*10.8	↖
Serie		99.0
Total		199.0



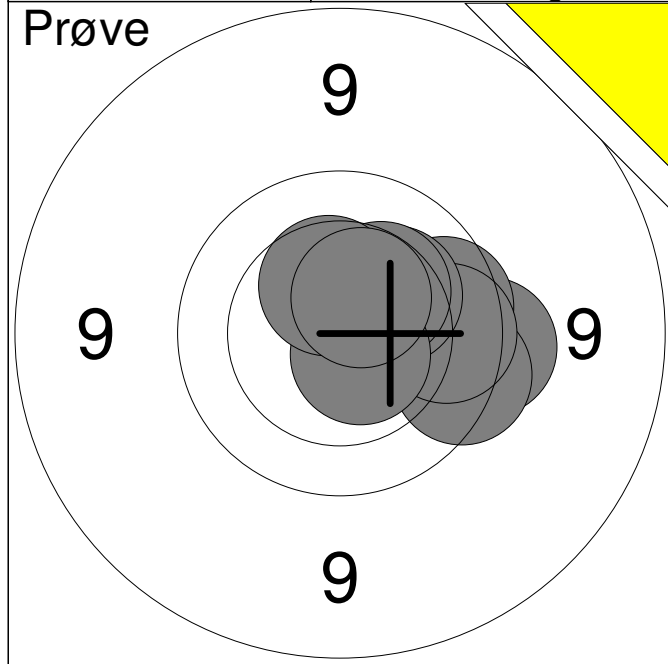
1:	*10.5	←
2:	9.4	↗
3:	*10.6	↘
4:	9.8	↗
5:	10.4	←
6:	10.3	↘
Serie		58.0
Total		0.0



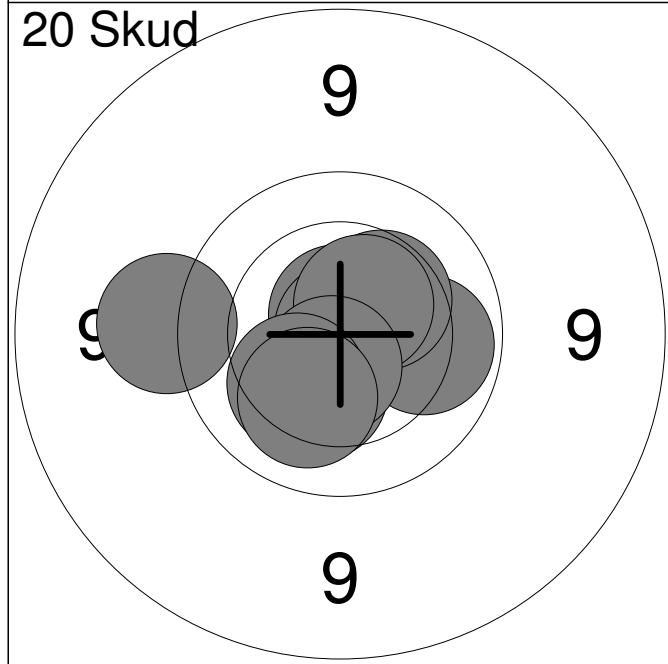
1:	9.5	↗
2:	9.9	←
3:	9.6	←
4:	10.0	↗
5:	10.3	↗
6:	10.2	↑
7:	10.4	↑
8:	9.9	←
9:	9.5	↘
10:	10.2	←
Serie		95.0
Total		95.0



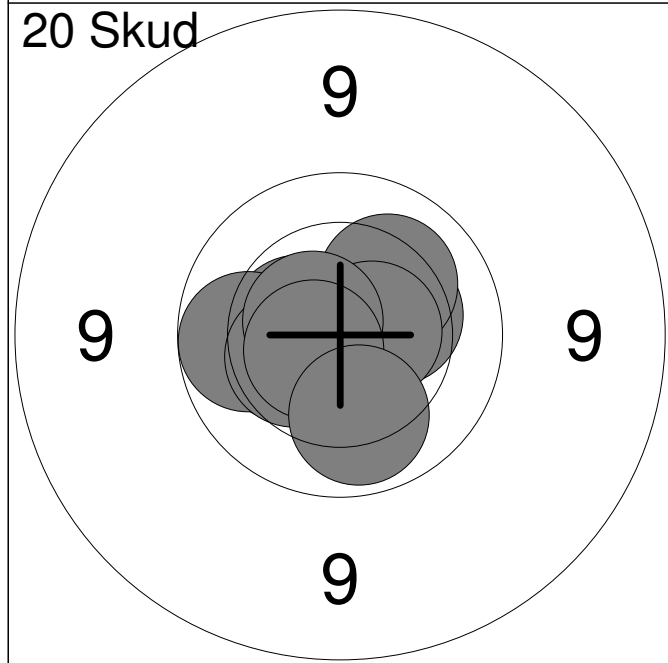
11:	9.7	↘
12:	10.4	←
13:	*10.7	↑
14:	10.2	↗
15:	10.0	↘
16:	10.3	↘
17:	10.1	←
18:	10.3	↗
19:	10.5	←
20:	10.3	←
Serie		99.0
Total		194.0



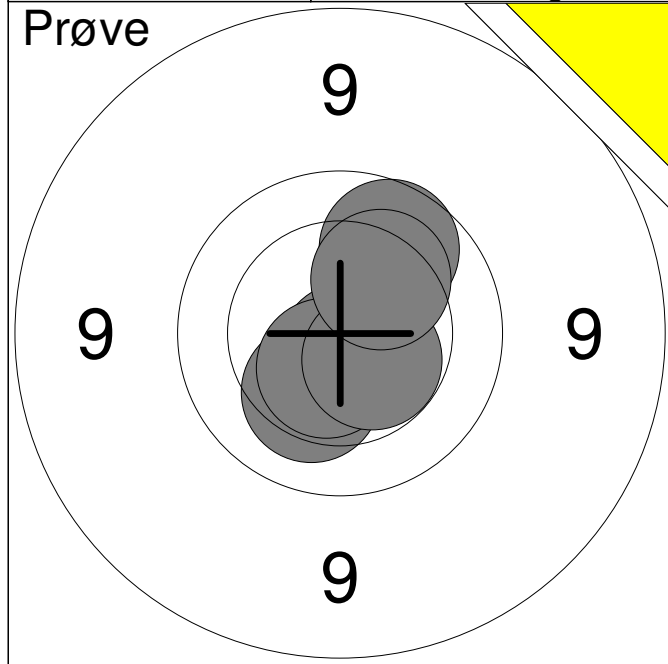
1:	9.6	→
2:	9.9	→
3:	9.7	→
4:	9.9	→
5:	10.3	↗
6:	10.3	↗
7:	*10.6	↘
8:	10.4	↑
9:	*10.5	↗
Serie		86.0
Total		0.0



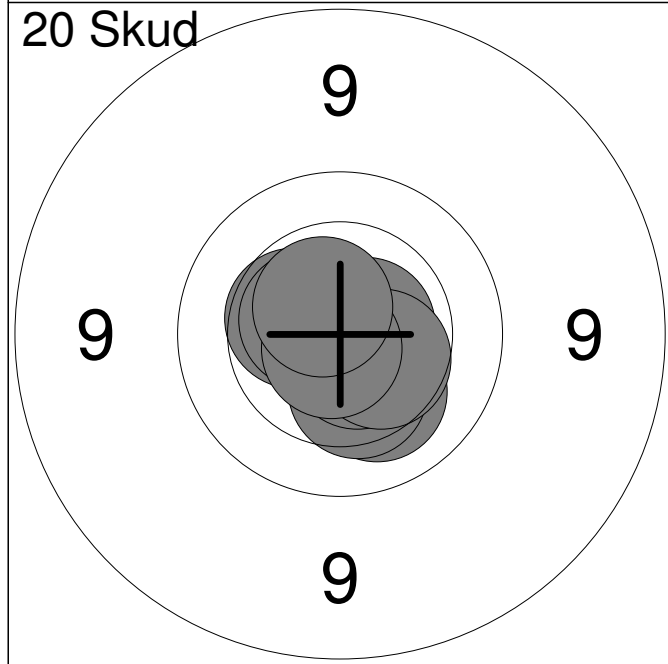
1:	*10.7	↑
2:	*10.9	↗
3:	10.0	→
4:	9.5	←
5:	10.4	↗
6:	*10.5	↗
7:	10.3	↘
8:	*10.6	↘
9:	10.2	↘
10:	10.2	↘
Serie		99.0
Total		99.0



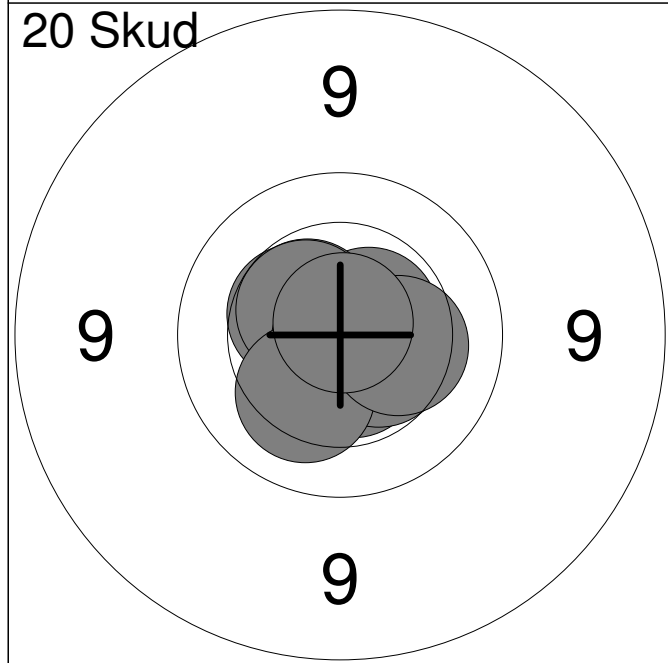
11:	*10.5	←
12:	10.3	←
13:	10.0	←
14:	10.3	→
15:	10.2	↗
16:	*10.6	→
17:	10.4	←
18:	*10.6	↖
19:	*10.6	↖
20:	10.1	↓
Serie		100.0
Total		199.0



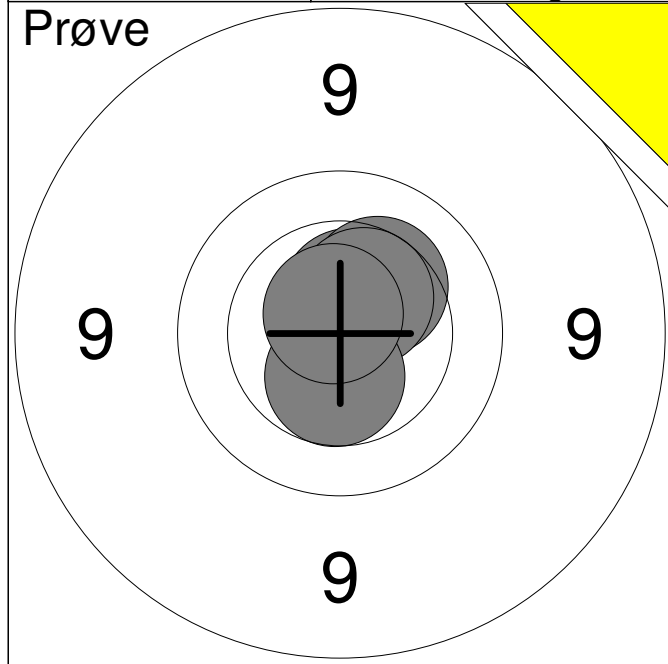
1:	9.9	↗
2:	10.2	↘
3:	*10.7	↘
4:	*10.5	↘
5:	*10.5	↘
6:	10.2	↗
Serie		59.0
Total		0.0



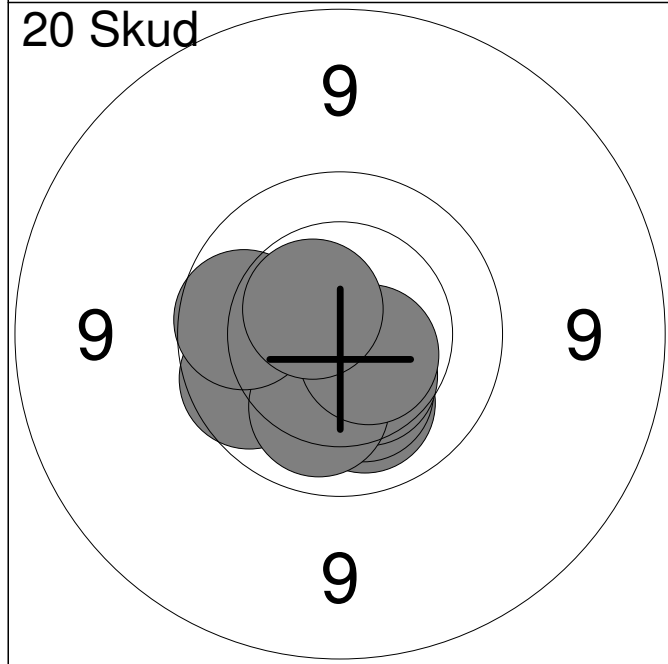
1:	10.2	↘
2:	*10.7	→
3:	10.3	↘
4:	10.4	↗
5:	*10.6	↘
6:	*10.7	→
7:	10.4	↘
8:	*10.6	↗
9:	*10.8	↘
10:	*10.6	↗
Serie		100.0
Total		100.0



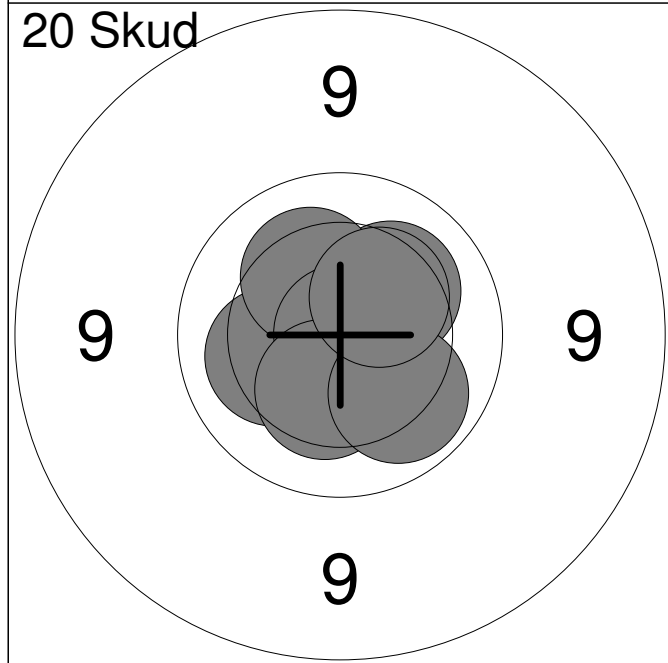
11:	*10.6	↗
12:	*10.5	↗
13:	10.4	↗
14:	*10.6	↘
15:	*10.5	↗
16:	10.5	↘
17:	*10.9	↘
18:	10.2	↘
19:	10.3	→
20:	*10.8	↗
Serie		100.0
Total		200.0



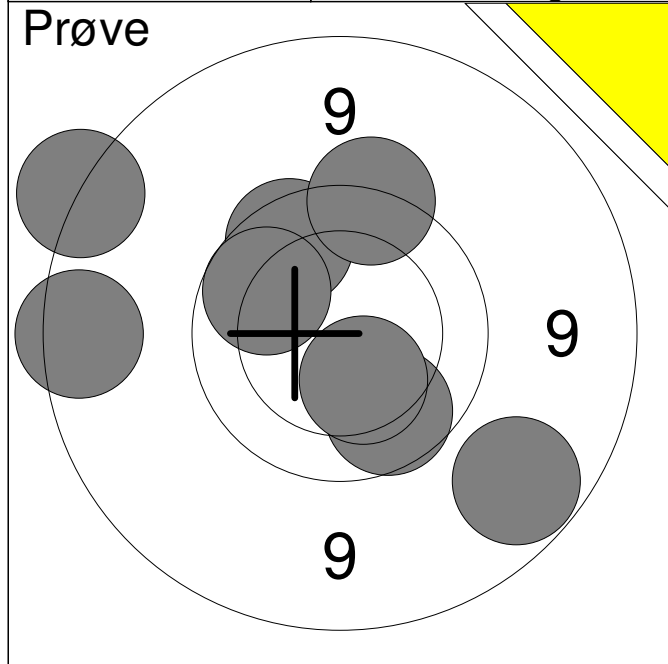
1:	*10.6	↑
2:	10.3	↗
3:	10.5	↗
4:	10.5	↓
5:	*10.7	↑
Serie		50.0
Total		0.0



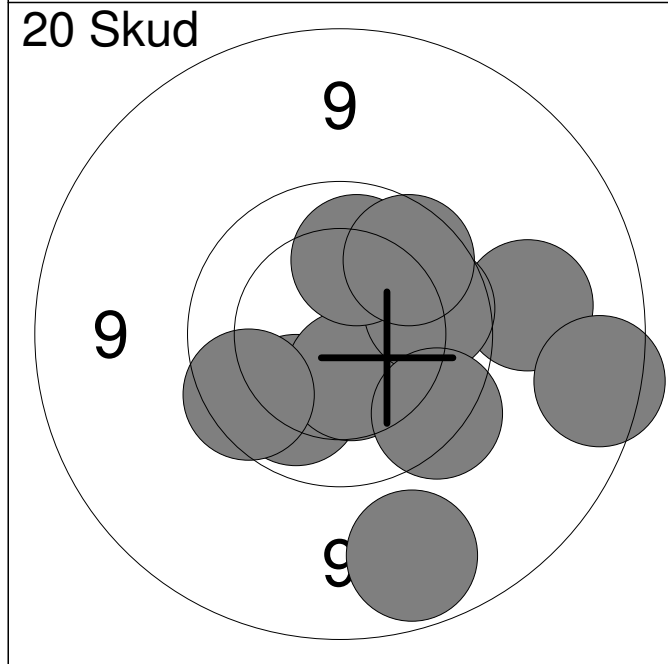
1:	10.2	↓
2:	*10.8	↙
3:	10.3	↓
4:	10.4	↓
5:	10.5	↙
6:	9.9	↙
7:	10.1	↓
8:	*10.6	↘
9:	9.9	↙
10:	*10.5	↗
Serie		98.0
Total		98.0



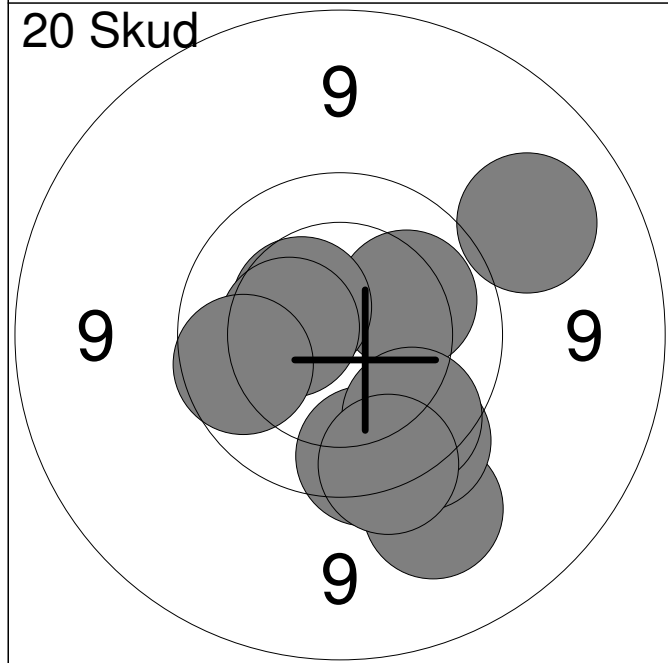
11:	10.2	↗
12:	*10.7	↗
13:	*10.8	↗
14:	10.5	↓
15:	10.2	↙
16:	10.3	↑
17:	*10.9	→
18:	10.3	↓
19:	10.1	↓
20:	10.4	↗
Serie		100.0
Total		198.0



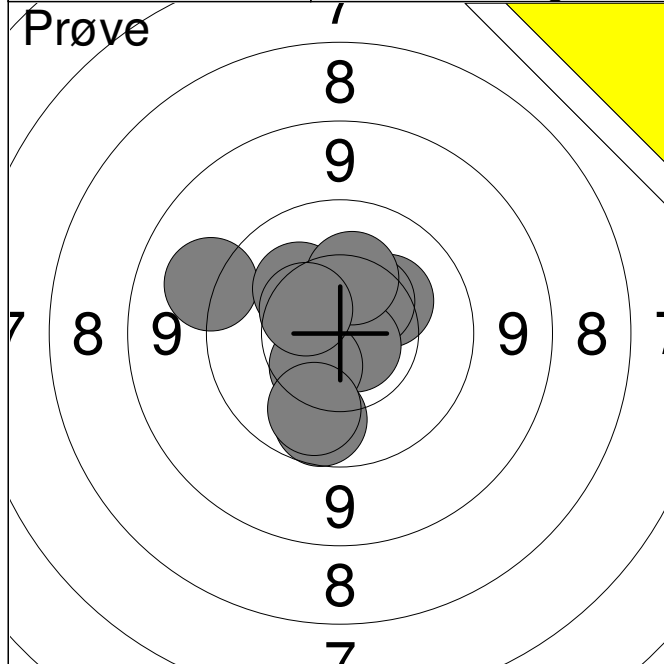
1:	9.8	↗
2:	10.0	↗
3:	9.6	↑
4:	8.8	←
5:	9.9	↘
6:	9.0	↘
7:	8.7	↗
8:	10.3	↘
Serie		72.0
Total		0.0



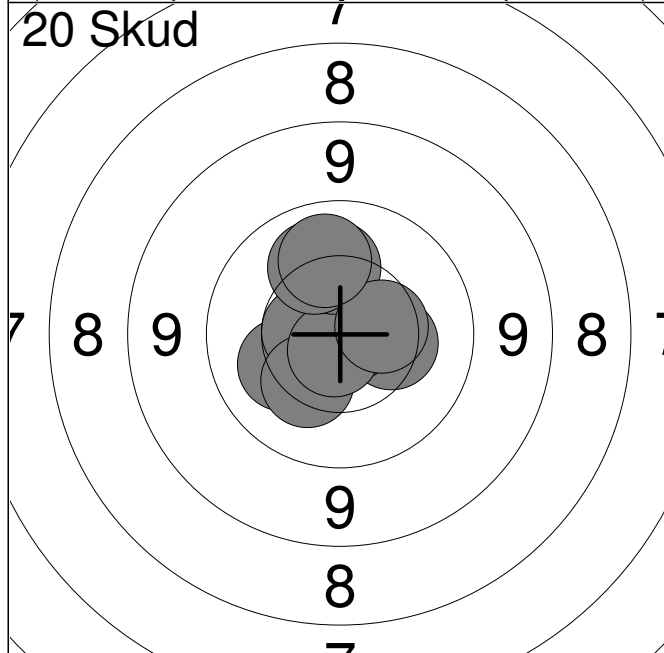
1:	10.0	↘
2:	10.5	↘
3:	9.3	→
4:	9.9	→
5:	8.8	→
6:	10.1	↑
7:	9.9	↗
8:	9.7	↘
9:	9.8	↙
10:	9.0	↘
Serie		92.0
Total		92.0



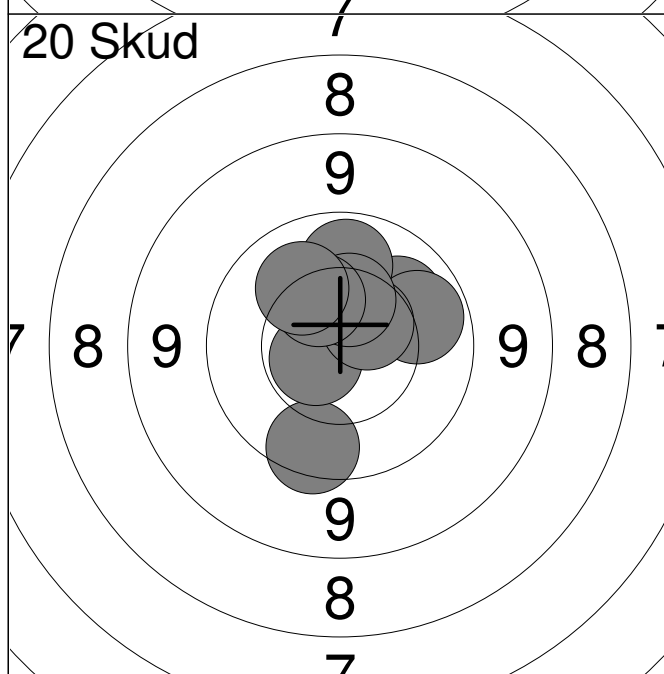
11:	9.8	↘
12:	10.1	↗
13:	10.4	↗
14:	9.3	↘
15:	9.7	↘
16:	9.8	↘
17:	10.4	←
18:	9.9	←
19:	9.2	↗
20:	9.7	↘
Serie		93.0
Total		185.0



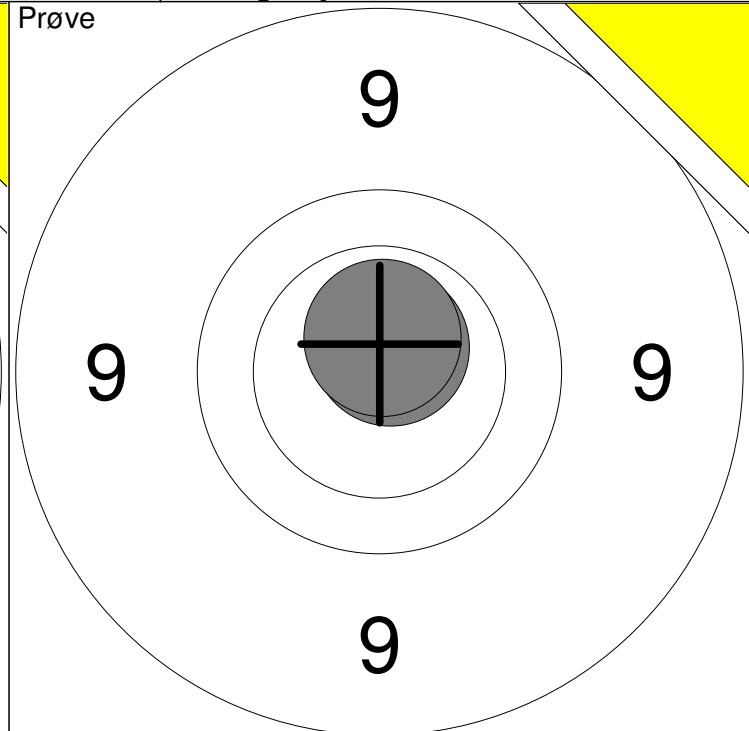
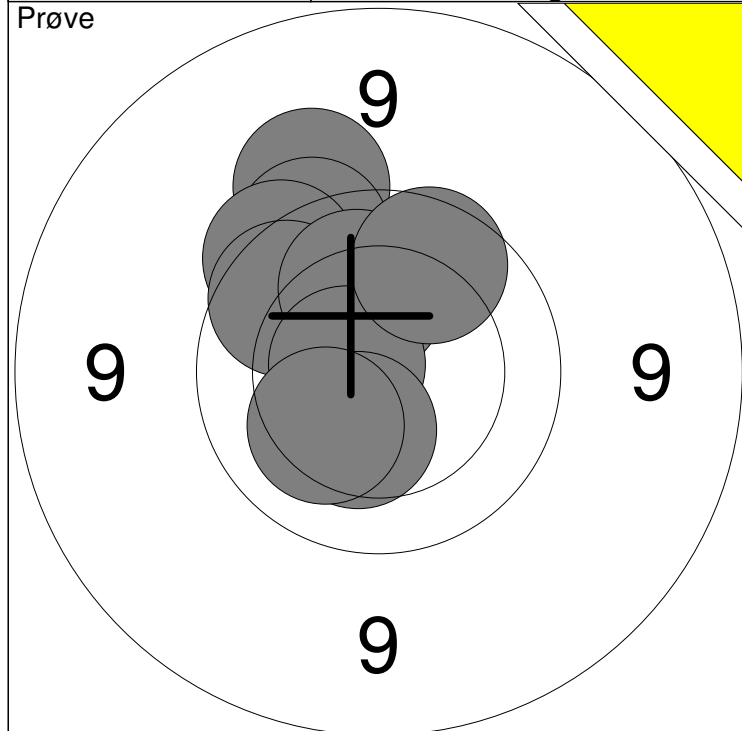
1:	10.3	↗
2:	9.3	↖
3:	10.5	↗
4:	*10.7	↘
5:	10.2	↗
6:	10.5	↘
7:	10.3	↑
8:	9.9	↘
9:	10.0	↘
10:	10.5	↗
Serie		98.0
Total		0.0



1:	10.2	↖
2:	10.6	↖
3:	10.3	↘
4:	10.3	→
5:	*10.8	→
6:	*10.8	↘
7:	10.2	↑
8:	10.1	↑
9:	10.5	→
10:	10.1	↑
Serie		100.0
Total		100.0

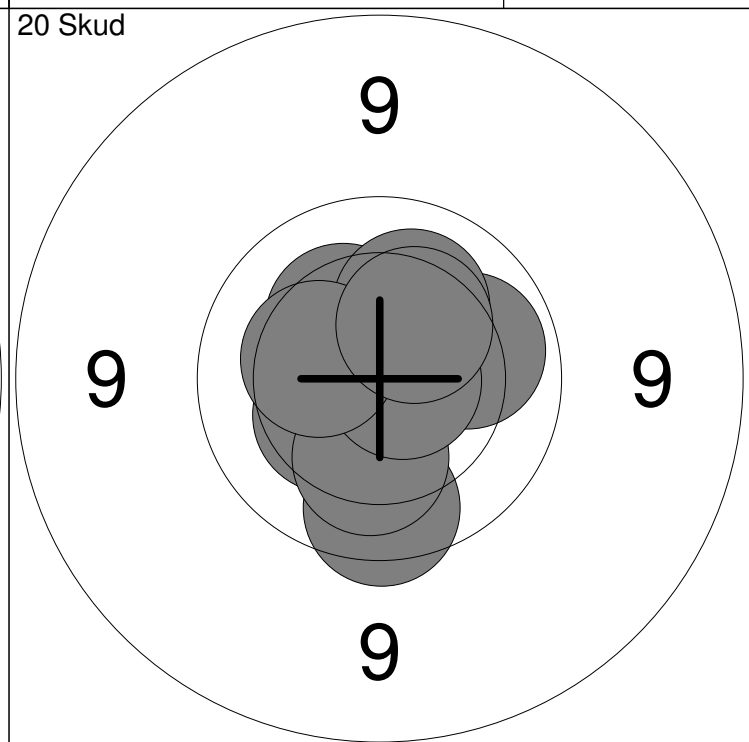
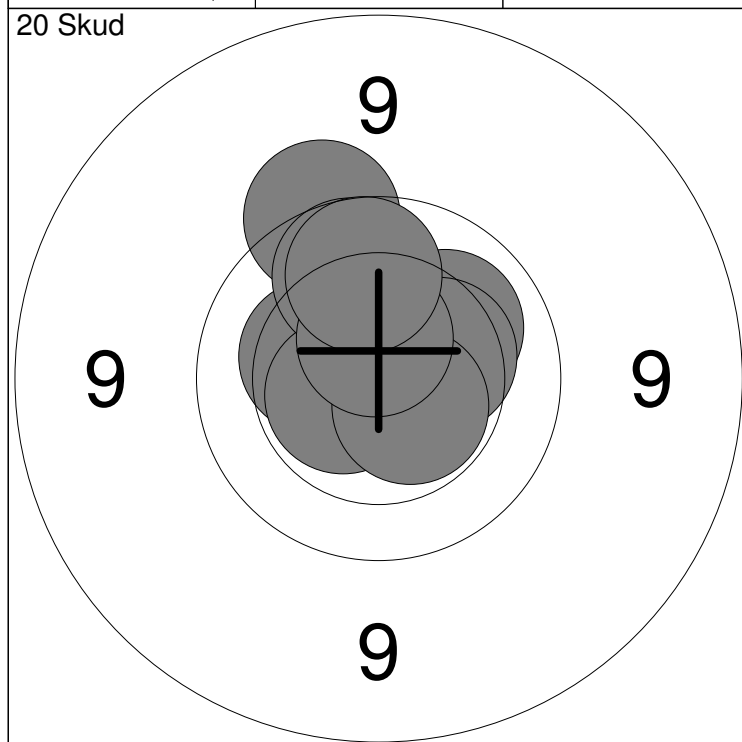


11:	10.6	↑
12:	10.1	↗
13:	9.7	↘
14:	10.0	→
15:	*10.6	↖
16:	10.5	↗
17:	10.0	↑
18:	10.4	↑
19:	10.4	↗
20:	10.2	↗
Serie		99.0
Total		199.0



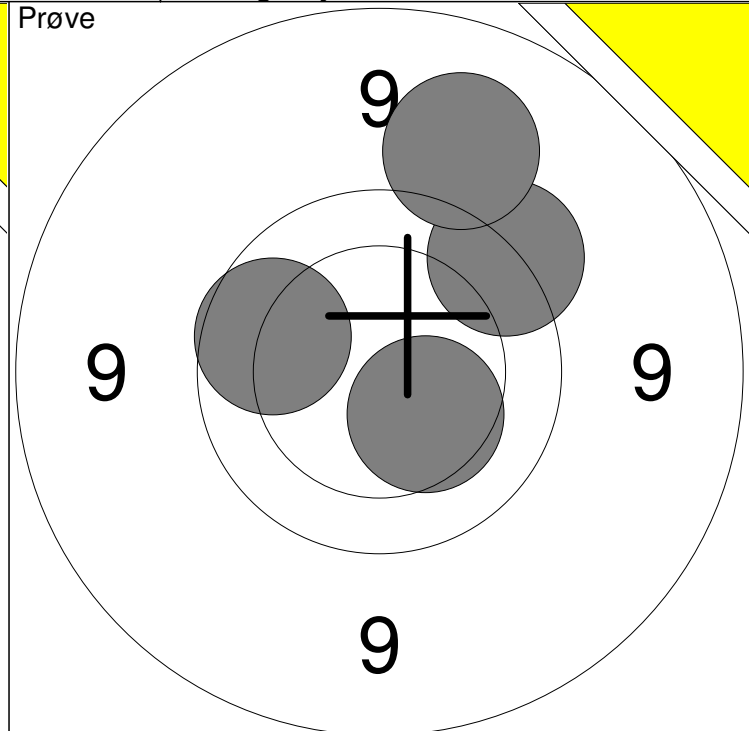
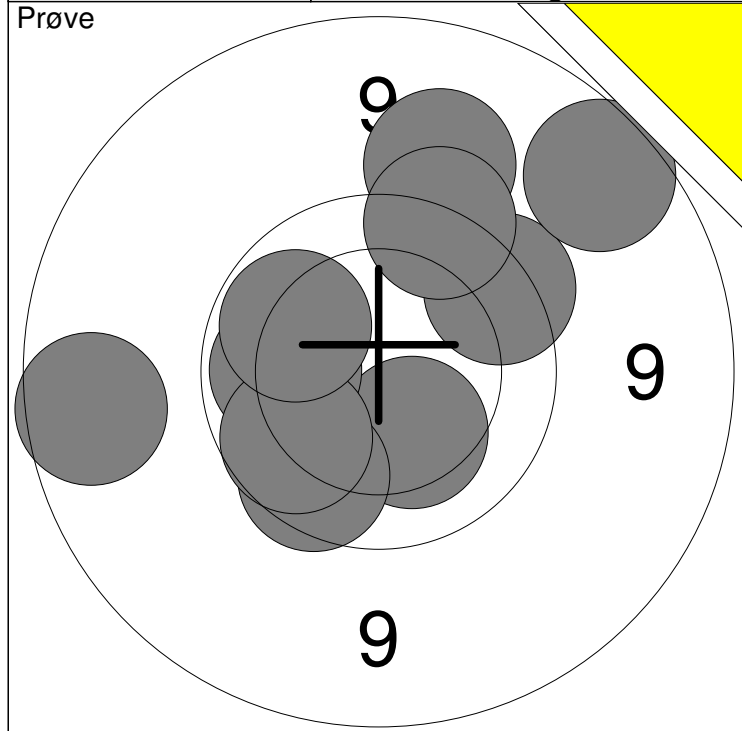
1: 9.4 ↗	6: 10.1 ↗	Serie	95.0
2: 9.7 ↗	7: *10.6 ↖		
3: 9.7 ↗	8: 10.4 ↘	Total	0.0
4: 9.9 ↖	9: 10.2 ↙		
5: 10.2 ↗	10: 9.9 ↗		

11: *10.7 ↗	Serie	20.0
12: *10.6 ↗		
Total		0.0



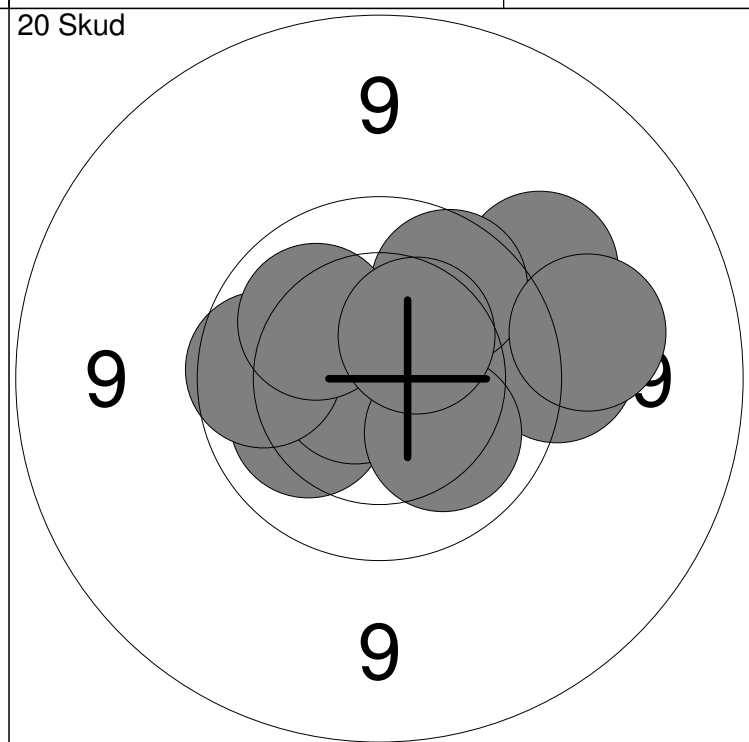
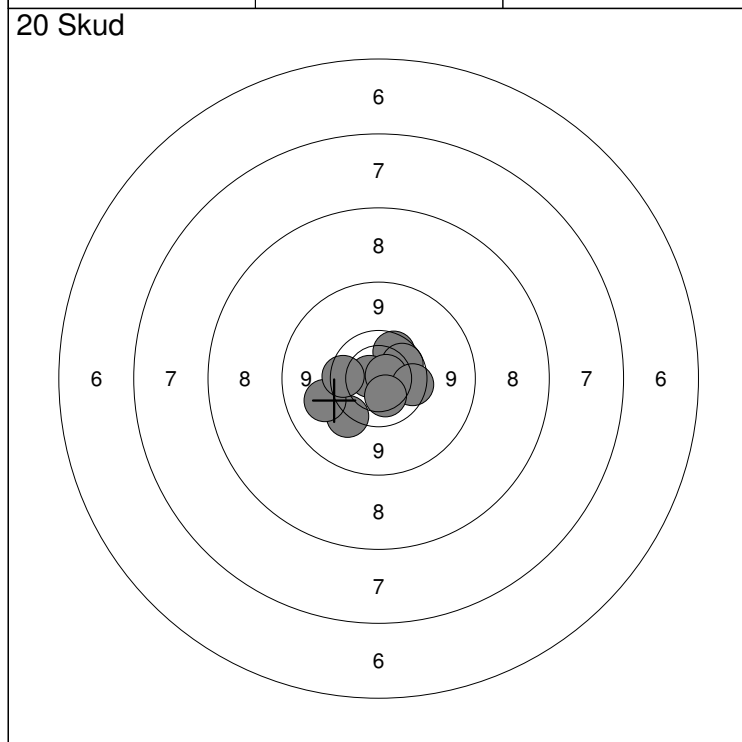
1: 10.3 ↗	6: 9.6 ↗	Serie	97.0
2: 10.1 ↗	7: 9.9 ↗		
3: 10.3 ↖	8: *10.5 ↘	Total	97.0
4: *10.6 ↖	9: *10.6 ↗		
5: 10.3 ↗	10: 9.9 ↗		

11: 9.8 ↘	16: 10.1 →	Serie	99.0
12: 10.4 ↙	17: 10.2 ↗		
13: 10.2 ↘	18: *10.7 →	Total	196.0
14: 10.3 ↖	19: 10.3 ↖		
15: 10.4 ↗	20: 10.3 ↗		



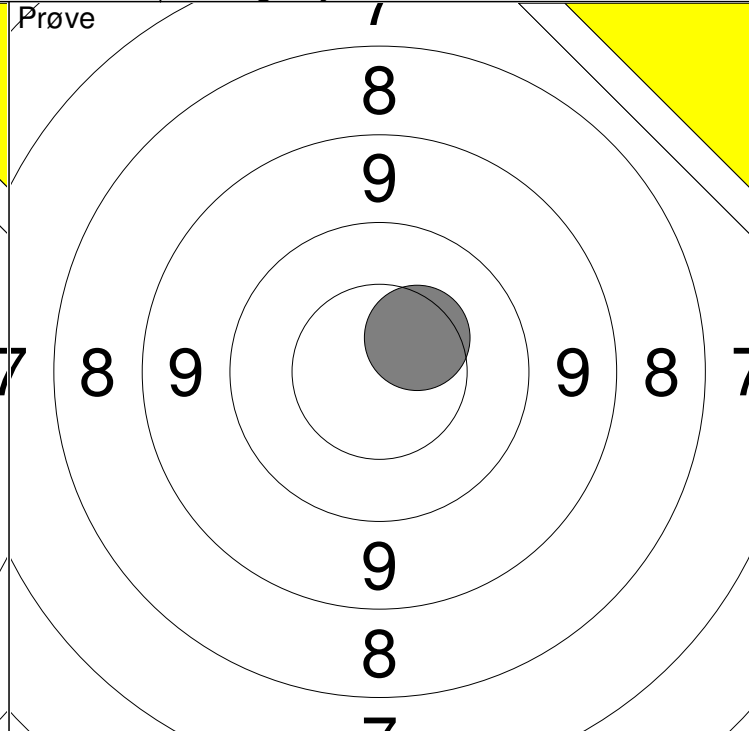
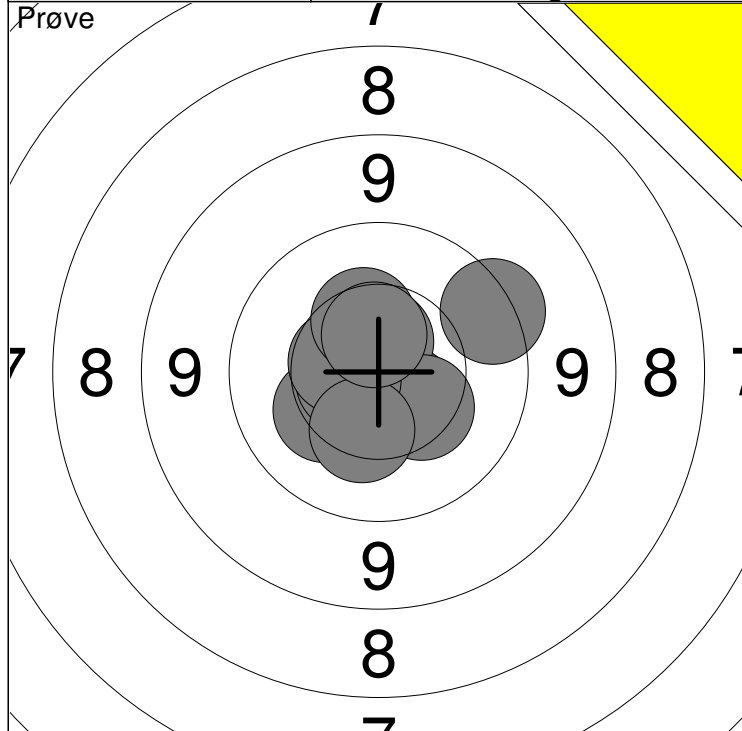
1: 9.7 ↗	6: 10.0 ←	Serie	91.0
2: 10.3 ↓	7: 8.9 ↗		
3: 9.3 ↑	8: 9.6 ↑	Total	0.0
4: 9.8 ↓	9: 9.9 ↙		
5: 8.9 ←	10: 10.0 ↖		

11: 10.3 ↘	Serie	37.0
12: 9.6 ↗		
13: 9.2 ↑	Total	0.0
14: 9.9 ←		



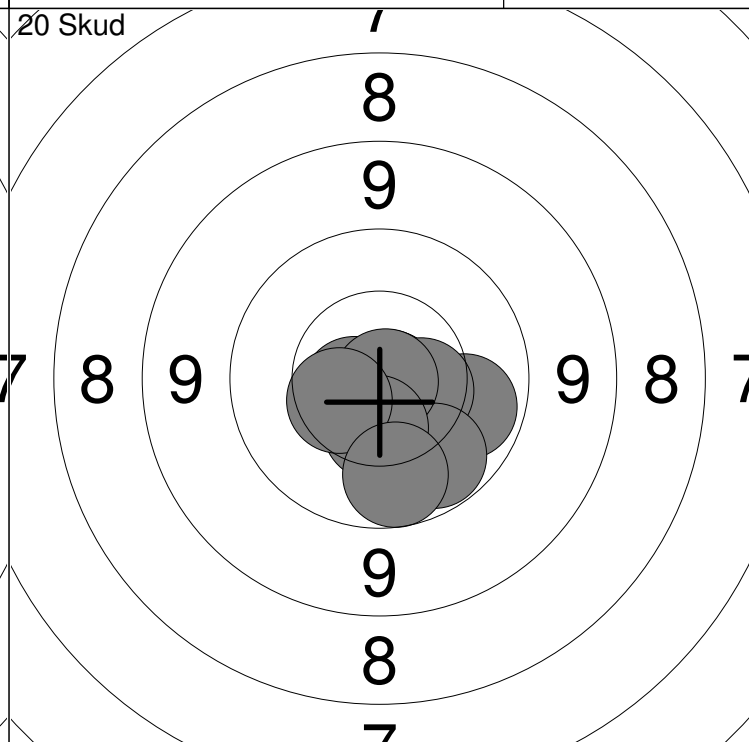
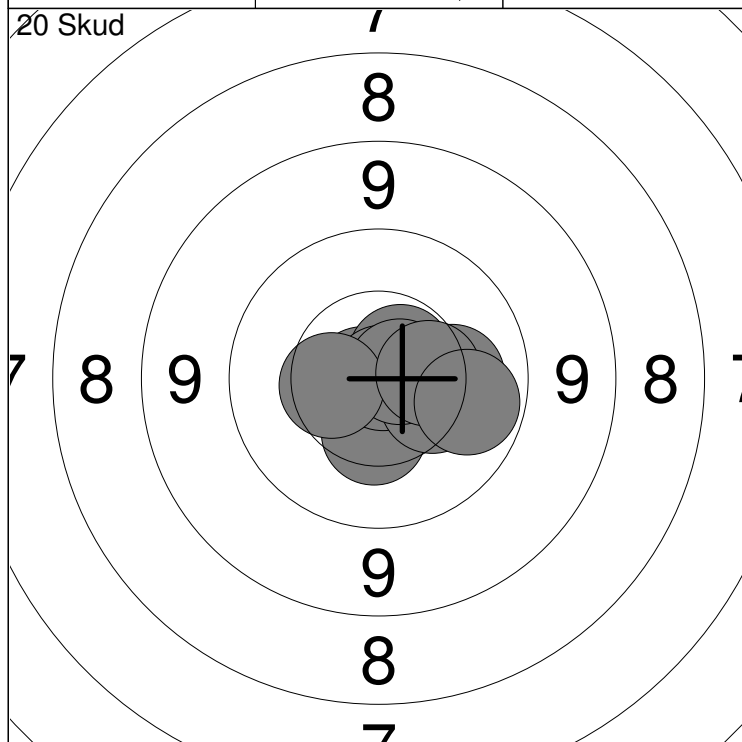
1: 0.0 ←	6: 9.3 ←	Serie	84.0
2: 9.9 ↑	7: *10.6 ↗		
3: *10.6 ↖	8: 9.8 ←	Total	84.0
4: 9.5 ↓	9: 9.8 →		
5: 9.9 ↗	10: 10.3 ↓		

11: 9.5 ↗	16: 9.4 →	Serie	95.0
12: 10.2 ↙	17: 9.9 ←		
13: 9.5 →	18: 10.1 ↓	Total	179.0
14: *10.7 ↖	19: 10.1 ↖		
15: 9.9 ↗	20: 10.4 ↗		



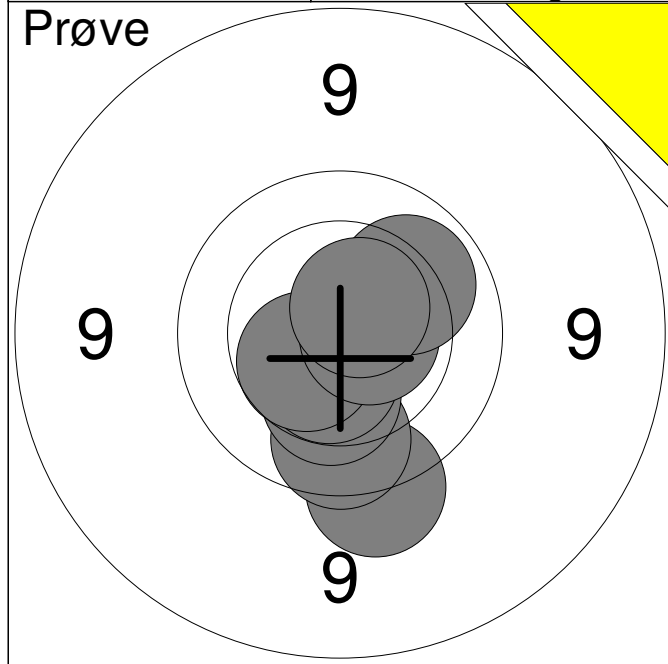
1: 10.6 ↘	6: *10.6 ←	Serie	99.0
2: 10.3 ↙	7: 10.5 ←		
3: 9.6 ↗	8: 10.4 ↑	Total	0.0
4: *10.6 ↑	9: 10.3 ↓		
5: 10.4 ↘	10: 10.6 ↑		

11: 10.4 ↗	Serie	10.0
	Total	0.0

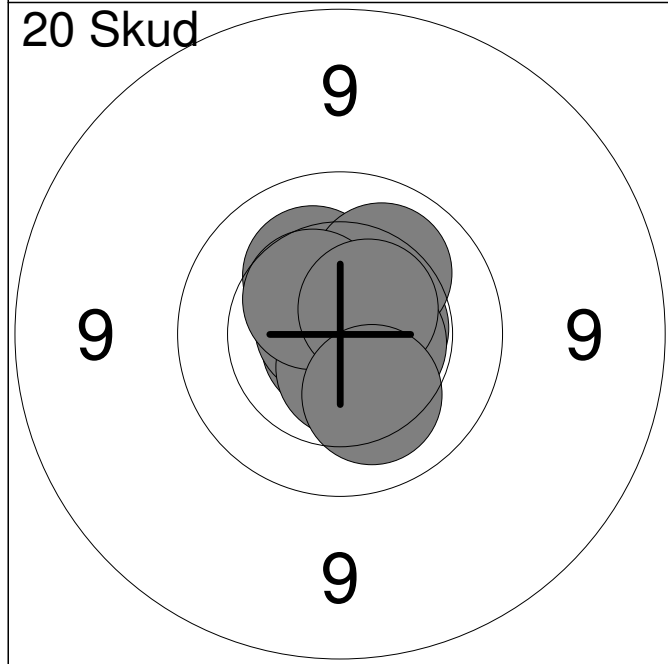


1: *10.8 ←	6: 10.4 →	Serie	100.0
2: 10.2 →	7: *10.7 →		
3: *10.6 ↗	8: 10.5 ←	Total	100.0
4: 10.4 ↓	9: 10.4 →		
5: *10.9 →	10: 10.0 →		

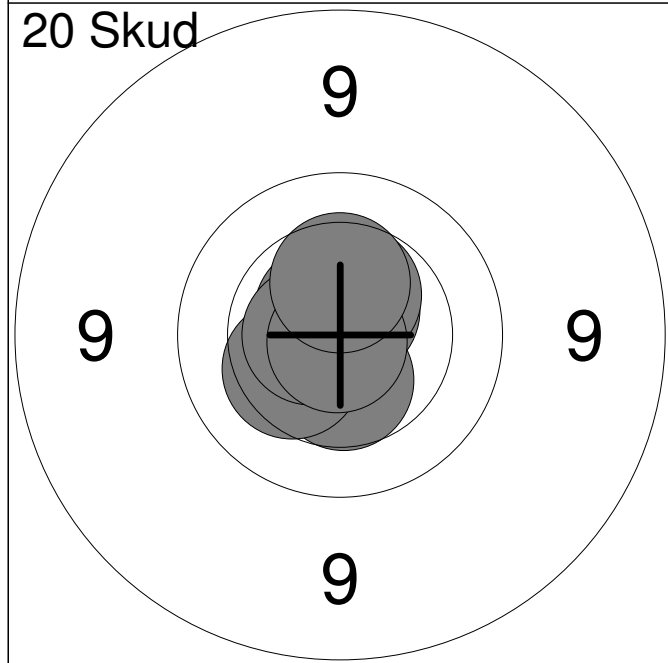
11: 10.0 →	16: 10.0 ↓	Serie	99.0
12: *10.7 ←	17: *10.9 →		
13: *10.9 →	18: 10.4 ↓	Total	199.0
14: *10.8 →	19: 10.5 ←		
15: 10.5 →	20: 9.9 ↓		



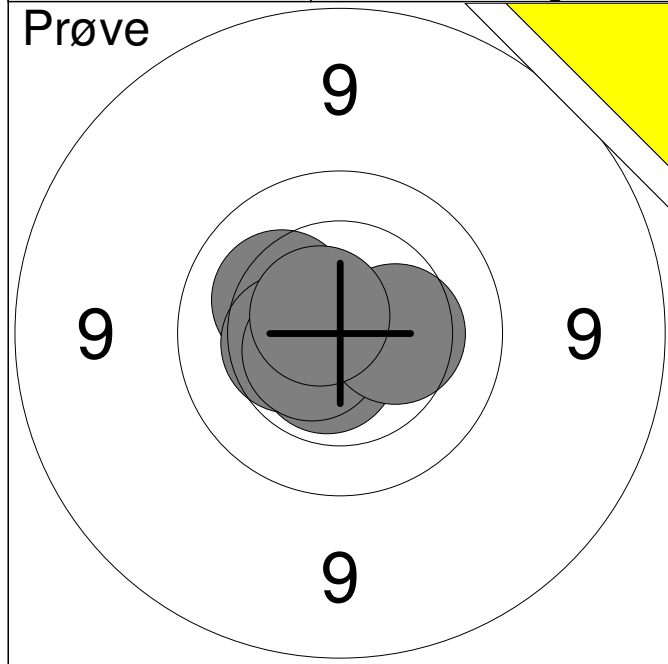
1:	9.6	↓
2:	9.9	↓
3:	10.3	↓
4:	*10.5	↓
5:	10.5	↙
6:	*10.6	→
7:	10.1	↗
8:	*10.6	↗
Serie		78.0
Total		0.0



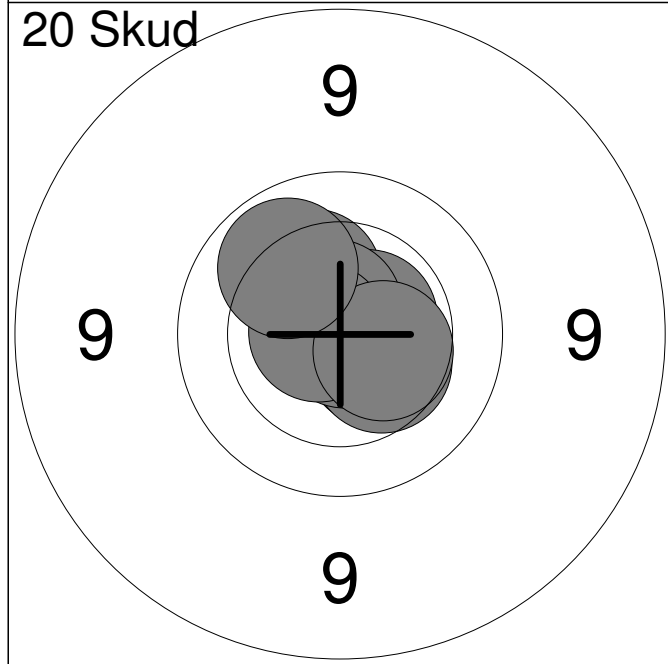
1:	*10.8	↙
2:	10.3	↗
3:	*10.8	↗
4:	*10.6	↓
5:	*10.5	→
6:	10.2	↗
7:	*10.5	→
8:	10.5	↗
9:	*10.5	↗
10:	10.2	↓
Serie		100.0
Total		100.0



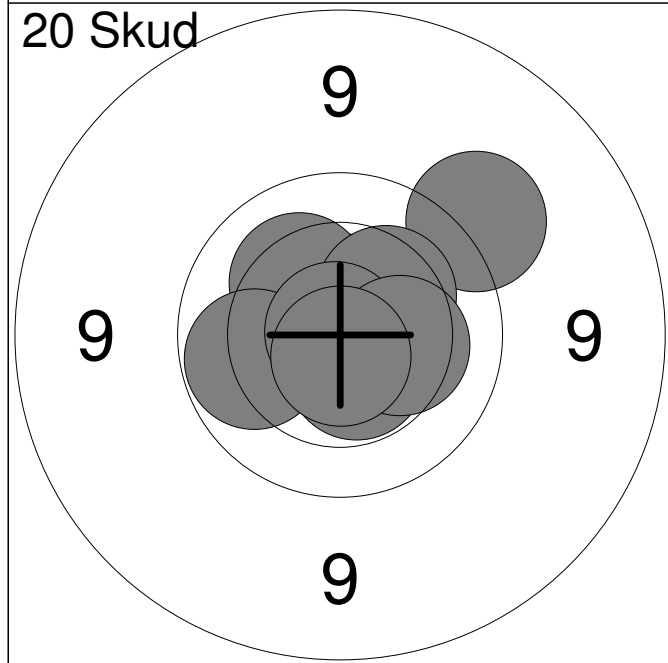
11:	*10.5	↑
12:	*10.9	↙
13:	*10.7	↗
14:	10.5	↓
15:	10.3	↙
16:	*10.7	↗
17:	*10.6	←
18:	*10.5	↗
19:	*10.9	↓
20:	10.4	↑
Serie		100.0
Total		200.0



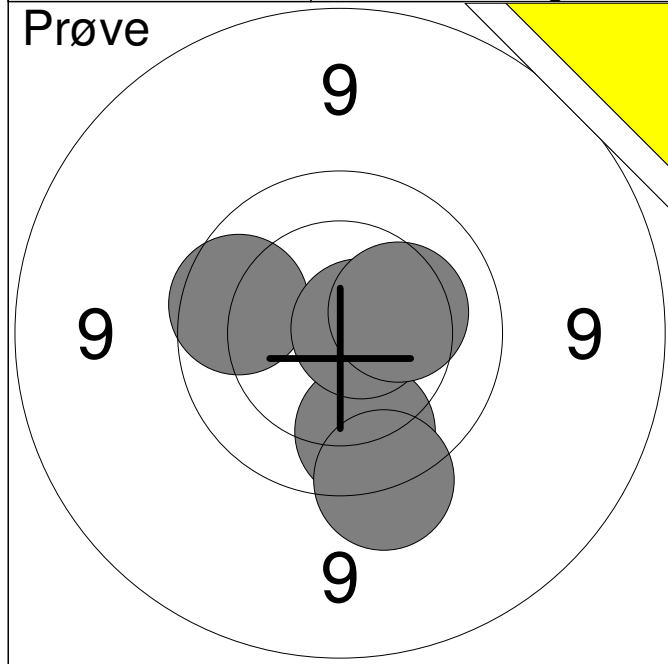
1:	10.2	↗
2:	*10.6	↘
3:	10.4	↖
4:	*10.6	↙
5:	10.4	→
6:	*10.7	↗
Serie		60.0
Total		0.0



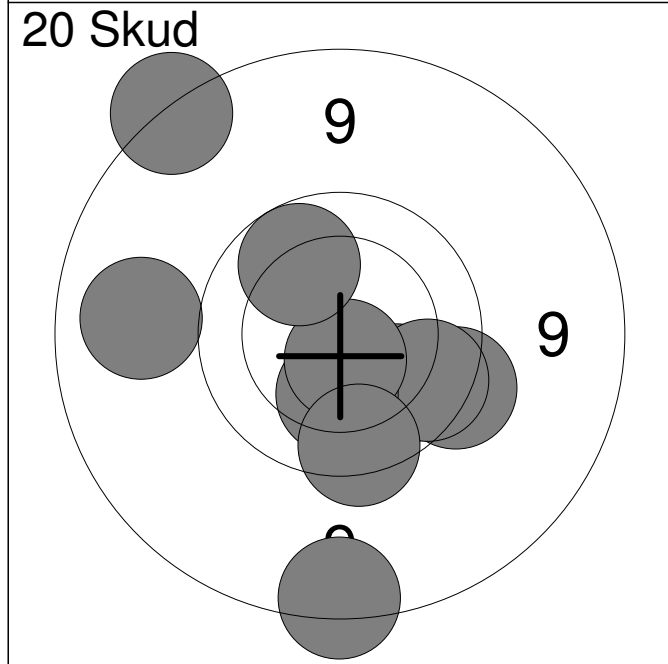
1:	*10.5	↘
2:	10.4	↘
3:	*10.7	→
4:	*10.9	↘
5:	10.3	↗
6:	*10.6	↗
7:	*10.7	↗
8:	*10.7	↖
9:	10.4	→
10:	10.0	↗
Serie		100.0
Total		100.0



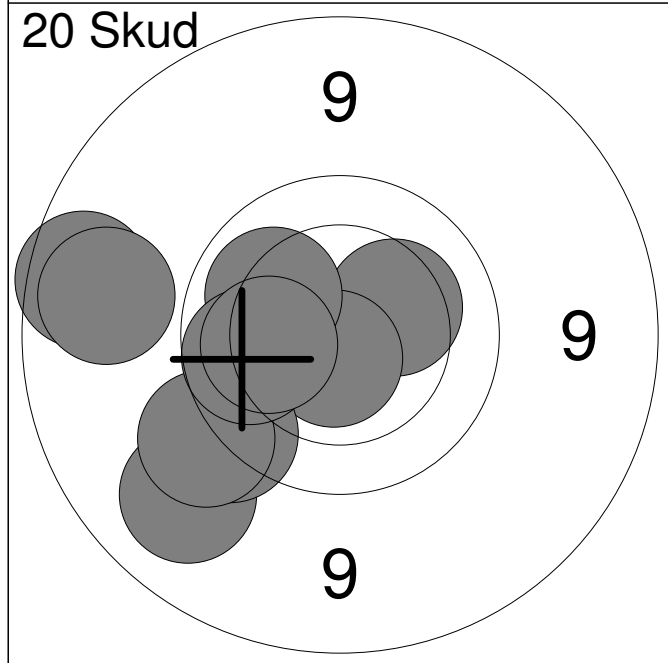
11:	*10.8	↗
12:	*10.6	↑
13:	9.4	↗
14:	10.2	↗
15:	10.3	↗
16:	10.0	↖
17:	*10.5	↘
18:	*10.9	↗
19:	10.3	→
20:	*10.7	↓
Serie		99.0
Total		199.0



1:	9.9	↓
2:	9.9	←
3:	*10.7	→
4:	10.3	→
5:	9.6	↓
Serie		47.0
Total		0.0



1:	8.8	↓
2:	8.7	↗
3:	10.0	↓
4:	9.6	↘
5:	9.8	↓
6:	9.1	←
7:	10.2	↓
8:	*10.6	↓
9:	10.0	↗
10:	9.7	↓
Serie		92.0
Total		92.0

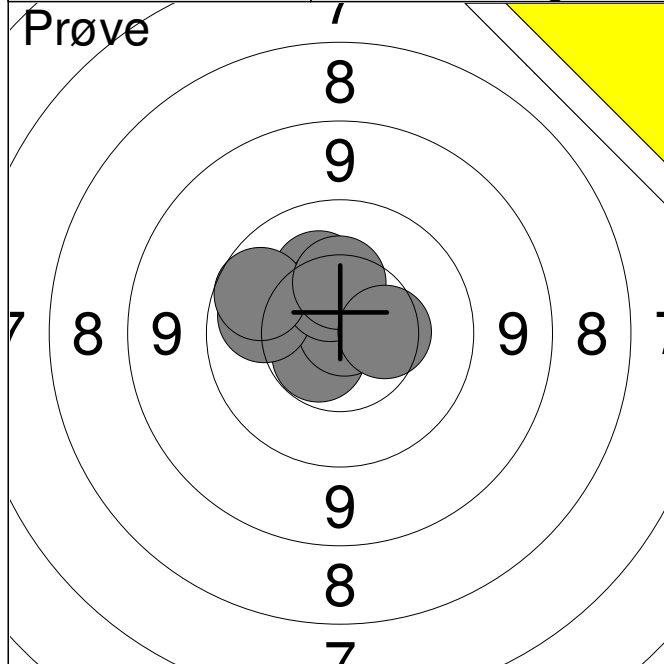


11:	10.3	↗
12:	*10.7	↓
13:	10.1	↗
14:	9.1	↘
15:	9.6	↘
16:	8.9	←
17:	9.0	←
18:	9.5	↘
19:	9.9	←
20:	10.2	←
Serie		93.0
Total		185.0

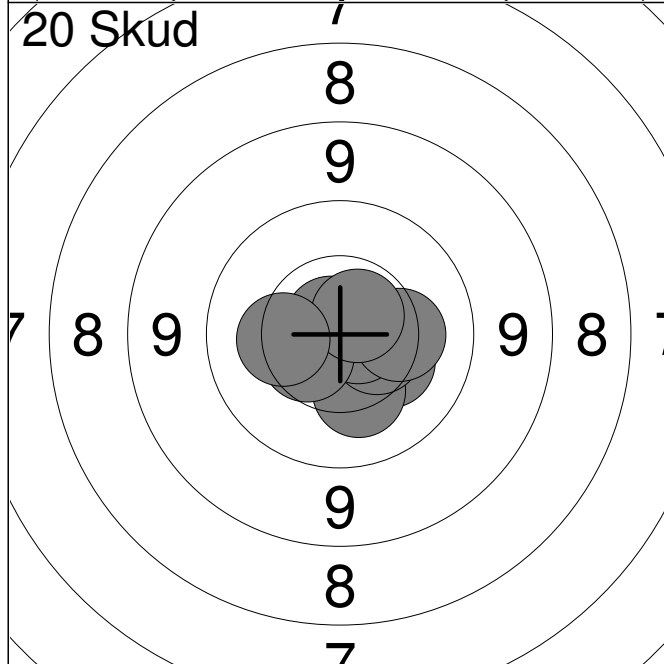
<p>Prøve</p>	<table style="width:100%; border-collapse: collapse;"> <tr><td style="width:10%;">1:</td><td style="width:80%;">*10.7</td><td style="width:10%; text-align: right;">↑</td></tr> <tr><td>2:</td><td>10.3</td><td style="text-align: right;">→</td></tr> <tr><td>3:</td><td>10.5</td><td style="text-align: right;">→</td></tr> <tr><td>4:</td><td>10.3</td><td style="text-align: right;">↙</td></tr> <tr><td>5:</td><td>*10.5</td><td style="text-align: right;">↑</td></tr> </table>	1:	*10.7	↑	2:	10.3	→	3:	10.5	→	4:	10.3	↙	5:	*10.5	↑
1:	*10.7	↑														
2:	10.3	→														
3:	10.5	→														
4:	10.3	↙														
5:	*10.5	↑														
<table style="width:100%; border-collapse: collapse;"> <tr> <td style="width:80%;">Serie</td> <td style="text-align: right;">50.0</td> </tr> <tr> <td>Total</td> <td style="text-align: right;">0.0</td> </tr> </table>		Serie	50.0	Total	0.0											
Serie	50.0															
Total	0.0															

<p>20 Skud</p>	<table style="width:100%; border-collapse: collapse;"> <tr><td style="width:10%;">1:</td><td style="width:80%;">*10.5</td><td style="width:10%; text-align: right;">↓</td></tr> <tr><td>2:</td><td>*10.6</td><td style="text-align: right;">↓</td></tr> <tr><td>3:</td><td>*10.8</td><td style="text-align: right;">→</td></tr> <tr><td>4:</td><td>*10.7</td><td style="text-align: right;">↗</td></tr> <tr><td>5:</td><td>10.4</td><td style="text-align: right;">→</td></tr> <tr><td>6:</td><td>10.3</td><td style="text-align: right;">→</td></tr> <tr><td>7:</td><td>10.3</td><td style="text-align: right;">↑</td></tr> <tr><td>8:</td><td>*10.6</td><td style="text-align: right;">→</td></tr> <tr><td>9:</td><td>10.4</td><td style="text-align: right;">↖</td></tr> <tr><td>10:</td><td>*10.6</td><td style="text-align: right;">→</td></tr> </table>	1:	*10.5	↓	2:	*10.6	↓	3:	*10.8	→	4:	*10.7	↗	5:	10.4	→	6:	10.3	→	7:	10.3	↑	8:	*10.6	→	9:	10.4	↖	10:	*10.6	→
1:	*10.5	↓																													
2:	*10.6	↓																													
3:	*10.8	→																													
4:	*10.7	↗																													
5:	10.4	→																													
6:	10.3	→																													
7:	10.3	↑																													
8:	*10.6	→																													
9:	10.4	↖																													
10:	*10.6	→																													
<table style="width:100%; border-collapse: collapse;"> <tr> <td style="width:80%;">Serie</td> <td style="text-align: right;">100.0</td> </tr> <tr> <td>Total</td> <td style="text-align: right;">100.0</td> </tr> </table>		Serie	100.0	Total	100.0																										
Serie	100.0																														
Total	100.0																														

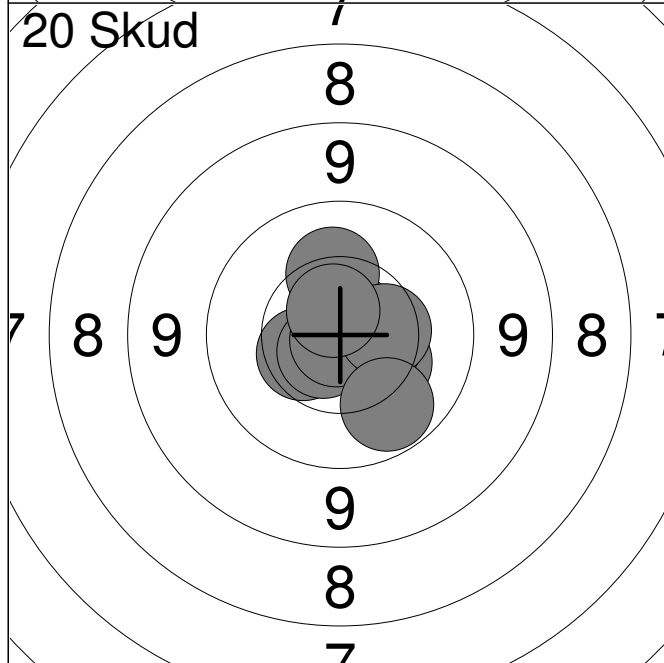
<p>20 Skud</p>	<table style="width:100%; border-collapse: collapse;"> <tr><td style="width:10%;">11:</td><td style="width:80%;">*10.6</td><td style="width:10%; text-align: right;">↘</td></tr> <tr><td>12:</td><td>9.8</td><td style="text-align: right;">↙</td></tr> <tr><td>13:</td><td>10.3</td><td style="text-align: right;">→</td></tr> <tr><td>14:</td><td>*10.6</td><td style="text-align: right;">↓</td></tr> <tr><td>15:</td><td>*10.7</td><td style="text-align: right;">←</td></tr> <tr><td>16:</td><td>*10.8</td><td style="text-align: right;">↑</td></tr> <tr><td>17:</td><td>10.2</td><td style="text-align: right;">↗</td></tr> <tr><td>18:</td><td>10.3</td><td style="text-align: right;">↗</td></tr> <tr><td>19:</td><td>*10.6</td><td style="text-align: right;">→</td></tr> <tr><td>20:</td><td>10.3</td><td style="text-align: right;">↓</td></tr> </table>	11:	*10.6	↘	12:	9.8	↙	13:	10.3	→	14:	*10.6	↓	15:	*10.7	←	16:	*10.8	↑	17:	10.2	↗	18:	10.3	↗	19:	*10.6	→	20:	10.3	↓
11:	*10.6	↘																													
12:	9.8	↙																													
13:	10.3	→																													
14:	*10.6	↓																													
15:	*10.7	←																													
16:	*10.8	↑																													
17:	10.2	↗																													
18:	10.3	↗																													
19:	*10.6	→																													
20:	10.3	↓																													
<table style="width:100%; border-collapse: collapse;"> <tr> <td style="width:80%;">Serie</td> <td style="text-align: right;">99.0</td> </tr> <tr> <td>Total</td> <td style="text-align: right;">199.0</td> </tr> </table>		Serie	99.0	Total	199.0																										
Serie	99.0																														
Total	199.0																														



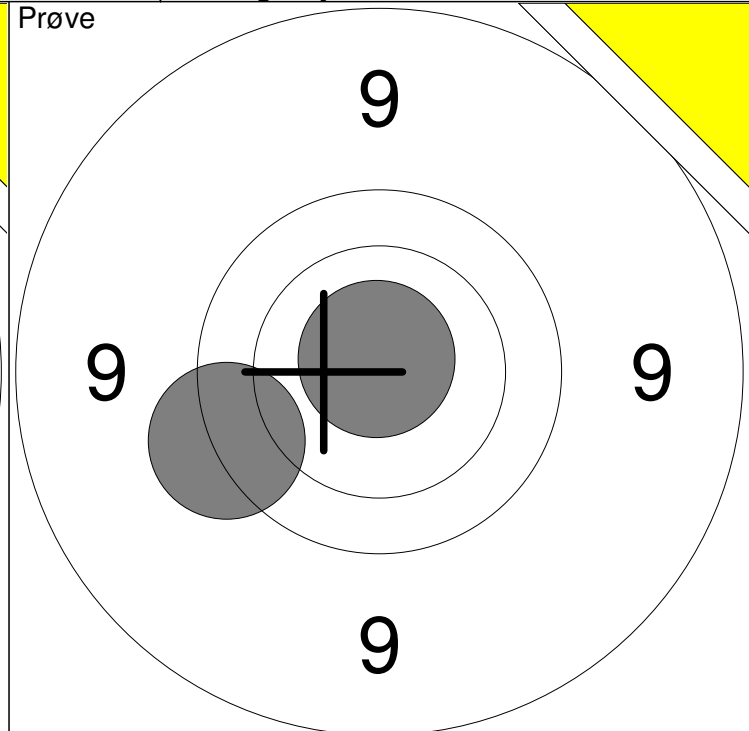
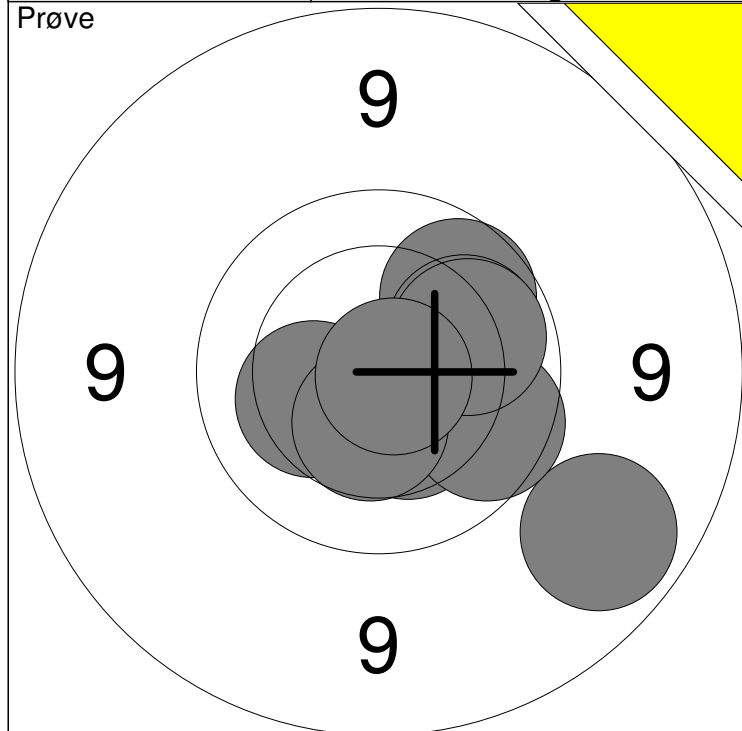
1:	*10.6	↙
2:	10.3	↑
3:	*10.9	↗
4:	10.0	↖
5:	10.5	↑
6:	9.9	↖
7:	10.4	↑
8:	10.4	→
Serie		79.0
Total		0.0



1:	10.3	↘
2:	*10.8	↑
3:	10.3	↘
4:	*10.8	↗
5:	10.5	↘
6:	*10.7	→
7:	10.3	→
8:	10.5	↖
9:	*10.7	↗
10:	10.3	←
Serie		100.0
Total		100.0

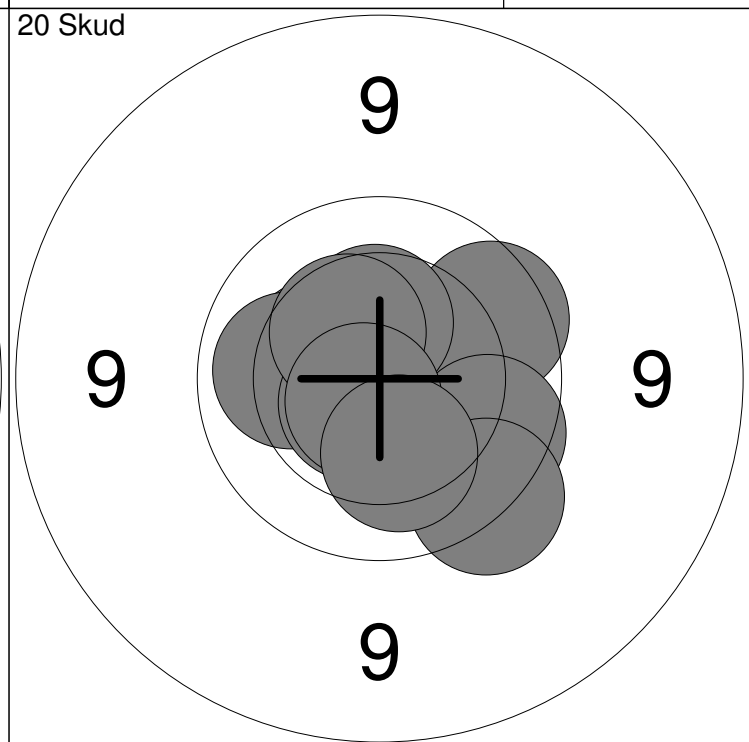
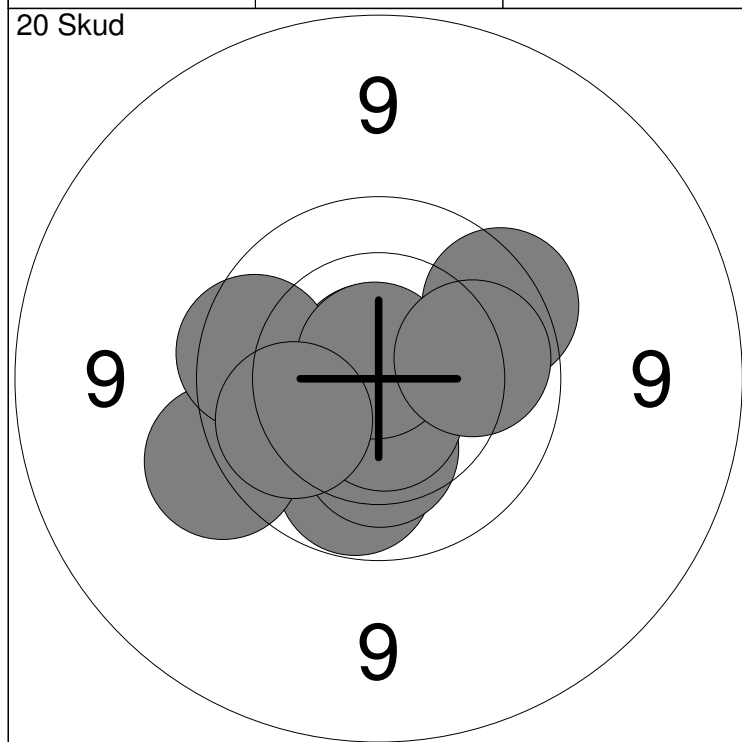


11:	*10.7	↗
12:	10.5	↖
13:	10.2	↑
14:	10.3	↘
15:	10.5	→
16:	*10.7	↖
17:	*10.9	↖
18:	10.4	→
19:	*10.7	↑
20:	10.0	↘
Serie		100.0
Total		200.0



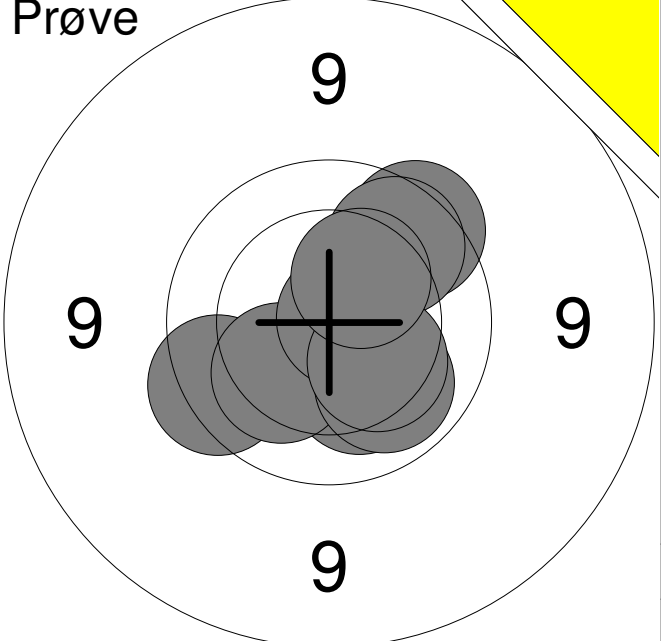
1: 9.0 ↘	6: 10.5 ↓	Serie 97.0
2: 10.3 ←	7: 9.9 ↗	
3: 10.4 ↘	8: 10.0 ↗	Total 0.0
4: 10.4 ↓	9: 10.0 ↗	
5: 9.9 ↘	10: *10.8 →	

11: 9.6 ←	Serie 19.0
12: *10.8 ↑	
	Total 0.0



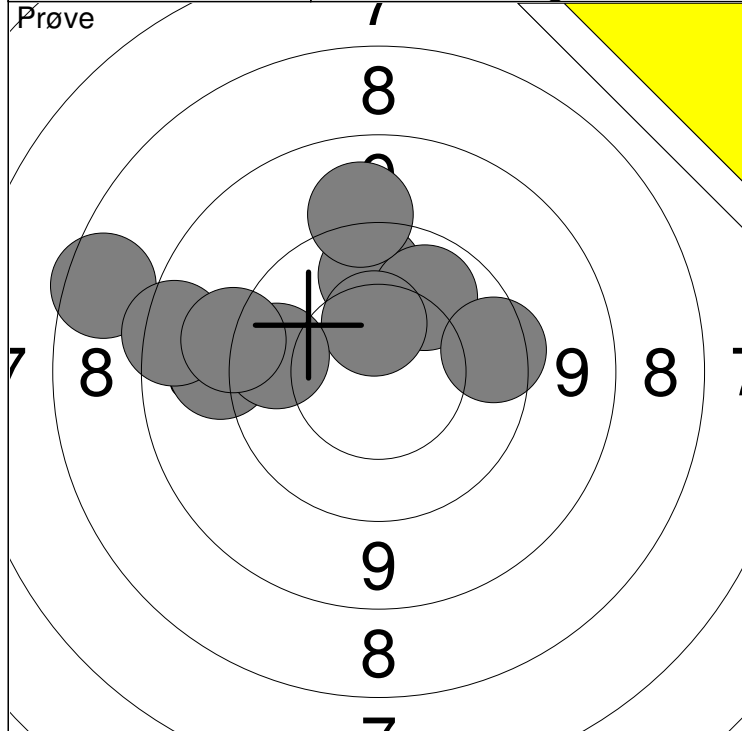
1: 10.0 ↓	6: 9.7 ↗	Serie 97.0
2: 9.5 ←	7: *10.6 ↓	
3: *10.8 ↗	8: *10.8 ↑	Total 97.0
4: 10.3 ↓	9: 10.0 →	
5: 9.8 ←	10: 10.0 ←	

11: 10.4 ←	16: *10.6 ↘	Serie 97.0
12: 9.8 ↗	17: 10.4 ↑	
13: 9.9 →	18: 10.4 ↗	Total 194.0
14: 9.6 ↓	19: *10.7 ↓	
15: 10.1 ←	20: 10.2 ↓	

<p>Prøve</p> 	<table style="width:100%; border-collapse: collapse;"> <tr><td style="width:10%;">1:</td><td style="width:15%;">9.7</td><td style="width:10%; text-align: right;">↙</td></tr> <tr><td>2:</td><td>9.7</td><td style="text-align: right;">↗</td></tr> <tr><td>3:</td><td>9.9</td><td style="text-align: right;">↗</td></tr> <tr><td>4:</td><td>10.2</td><td style="text-align: right;">↓</td></tr> <tr><td>5:</td><td>10.2</td><td style="text-align: right;">↙</td></tr> <tr><td>6:</td><td>*10.8</td><td style="text-align: right;">→</td></tr> <tr><td>7:</td><td>10.1</td><td style="text-align: right;">↓</td></tr> <tr><td>8:</td><td>10.3</td><td style="text-align: right;">↓</td></tr> <tr><td>9:</td><td>10.4</td><td style="text-align: right;">↗</td></tr> <tr><td colspan="2">Serie</td><td style="text-align: right;">87.0</td></tr> <tr><td colspan="2">Total</td><td style="text-align: right;">0.0</td></tr> </table>	1:	9.7	↙	2:	9.7	↗	3:	9.9	↗	4:	10.2	↓	5:	10.2	↙	6:	*10.8	→	7:	10.1	↓	8:	10.3	↓	9:	10.4	↗	Serie		87.0	Total		0.0
1:	9.7	↙																																
2:	9.7	↗																																
3:	9.9	↗																																
4:	10.2	↓																																
5:	10.2	↙																																
6:	*10.8	→																																
7:	10.1	↓																																
8:	10.3	↓																																
9:	10.4	↗																																
Serie		87.0																																
Total		0.0																																

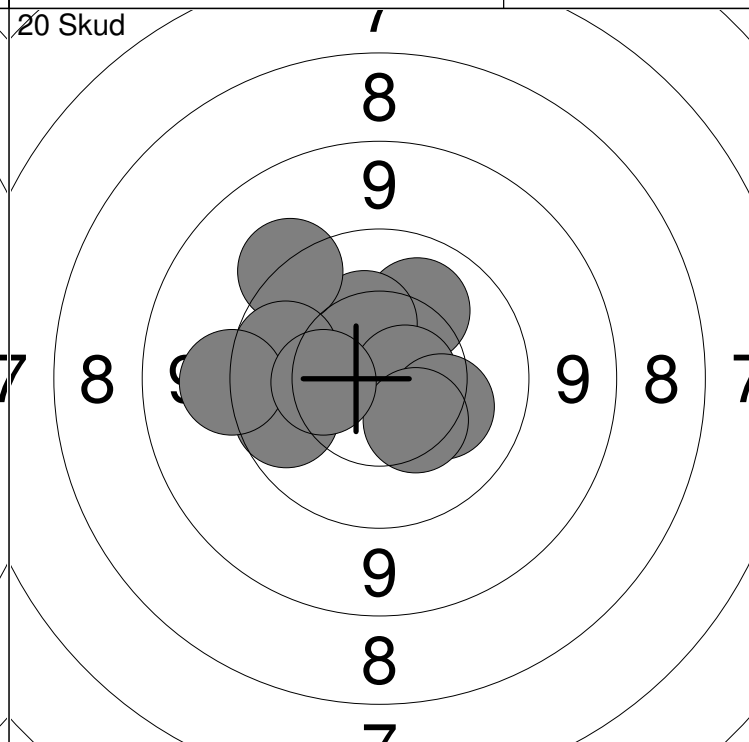
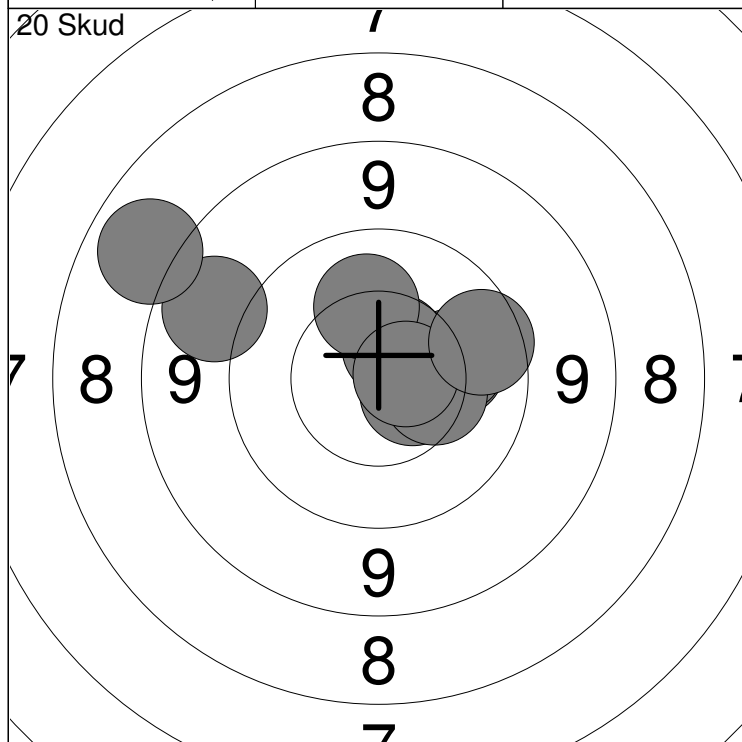
<p>20 Skud</p> 	<table style="width:100%; border-collapse: collapse;"> <tr><td style="width:10%;">1:</td><td style="width:15%;">*10.6</td><td style="width:10%; text-align: right;">↗</td></tr> <tr><td>2:</td><td>*10.5</td><td style="text-align: right;">↑</td></tr> <tr><td>3:</td><td>10.0</td><td style="text-align: right;">→</td></tr> <tr><td>4:</td><td>10.2</td><td style="text-align: right;">↗</td></tr> <tr><td>5:</td><td>10.3</td><td style="text-align: right;">↗</td></tr> <tr><td>6:</td><td>10.1</td><td style="text-align: right;">↙</td></tr> <tr><td>7:</td><td>10.1</td><td style="text-align: right;">↓</td></tr> <tr><td>8:</td><td>*10.5</td><td style="text-align: right;">↑</td></tr> <tr><td>9:</td><td>*10.6</td><td style="text-align: right;">→</td></tr> <tr><td>10:</td><td>9.8</td><td style="text-align: right;">↗</td></tr> <tr><td colspan="2">Serie</td><td style="text-align: right;">99.0</td></tr> <tr><td colspan="2">Total</td><td style="text-align: right;">99.0</td></tr> </table>	1:	*10.6	↗	2:	*10.5	↑	3:	10.0	→	4:	10.2	↗	5:	10.3	↗	6:	10.1	↙	7:	10.1	↓	8:	*10.5	↑	9:	*10.6	→	10:	9.8	↗	Serie		99.0	Total		99.0
1:	*10.6	↗																																			
2:	*10.5	↑																																			
3:	10.0	→																																			
4:	10.2	↗																																			
5:	10.3	↗																																			
6:	10.1	↙																																			
7:	10.1	↓																																			
8:	*10.5	↑																																			
9:	*10.6	→																																			
10:	9.8	↗																																			
Serie		99.0																																			
Total		99.0																																			

<p>20 Skud</p> 	<table style="width:100%; border-collapse: collapse;"> <tr><td style="width:10%;">11:</td><td style="width:15%;">*10.7</td><td style="width:10%; text-align: right;">↗</td></tr> <tr><td>12:</td><td>9.9</td><td style="text-align: right;">↙</td></tr> <tr><td>13:</td><td>10.1</td><td style="text-align: right;">→</td></tr> <tr><td>14:</td><td>*10.9</td><td style="text-align: right;">↑</td></tr> <tr><td>15:</td><td>10.2</td><td style="text-align: right;">→</td></tr> <tr><td>16:</td><td>*10.8</td><td style="text-align: right;">↗</td></tr> <tr><td>17:</td><td>10.3</td><td style="text-align: right;">↙</td></tr> <tr><td>18:</td><td>*10.5</td><td style="text-align: right;">↓</td></tr> <tr><td>19:</td><td>*10.6</td><td style="text-align: right;">↗</td></tr> <tr><td>20:</td><td>*10.6</td><td style="text-align: right;">→</td></tr> <tr><td colspan="2">Serie</td><td style="text-align: right;">99.0</td></tr> <tr><td colspan="2">Total</td><td style="text-align: right;">198.0</td></tr> </table>	11:	*10.7	↗	12:	9.9	↙	13:	10.1	→	14:	*10.9	↑	15:	10.2	→	16:	*10.8	↗	17:	10.3	↙	18:	*10.5	↓	19:	*10.6	↗	20:	*10.6	→	Serie		99.0	Total		198.0
11:	*10.7	↗																																			
12:	9.9	↙																																			
13:	10.1	→																																			
14:	*10.9	↑																																			
15:	10.2	→																																			
16:	*10.8	↗																																			
17:	10.3	↙																																			
18:	*10.5	↓																																			
19:	*10.6	↗																																			
20:	*10.6	→																																			
Serie		99.0																																			
Total		198.0																																			



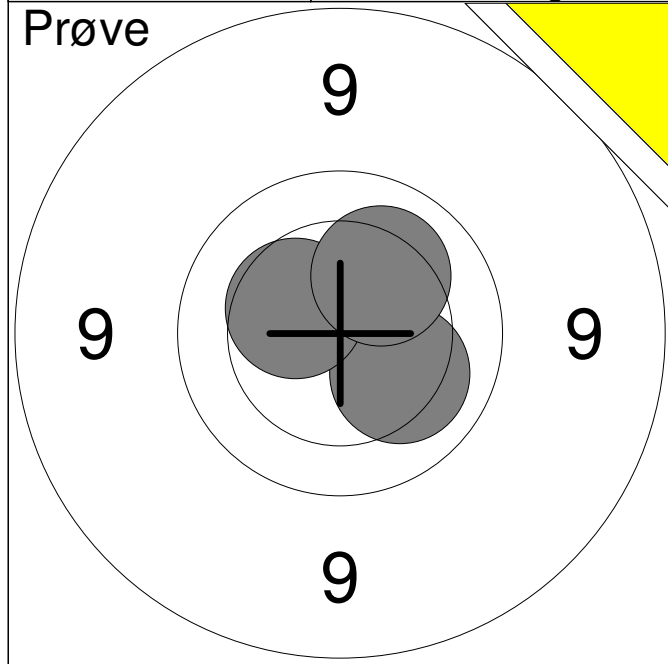
1: 9.9 ↑	6: 7.8 ←	Serie	89.0
2: 10.0 ↗	7: 8.7 ←		
3: 9.3 ←	8: 9.7 →	Total	0.0
4: 9.2 ↑	9: 9.9 ←		
5: 10.4 ↑	10: 9.4 ←		

11: *10.7 ←	Serie	20.0
12: *10.7 ↑		
	Total	0.0

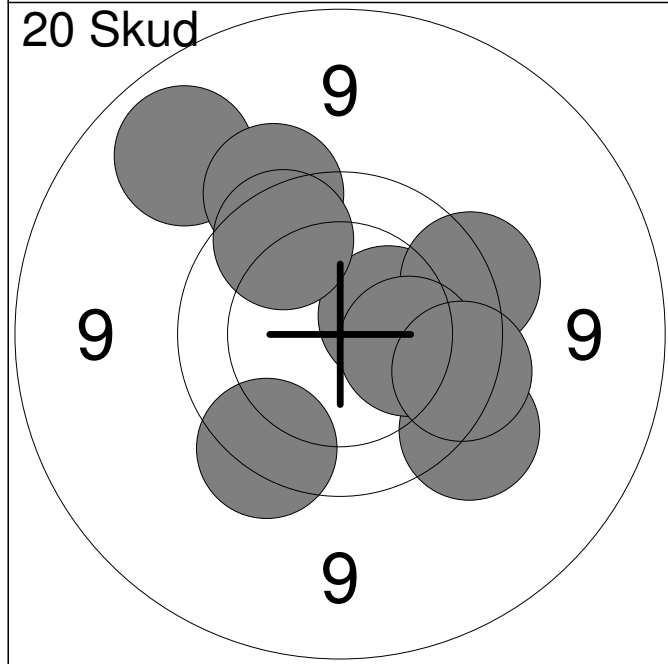


1: 9.0 ←	6: 10.4 →	Serie	96.0
2: 10.2 →	7: 10.6 ↗		
3: 10.2 →	8: 10.2 ↑	Total	96.0
4: 10.6 →	9: *10.7 →		
5: 8.1 ←	10: 9.8 →		

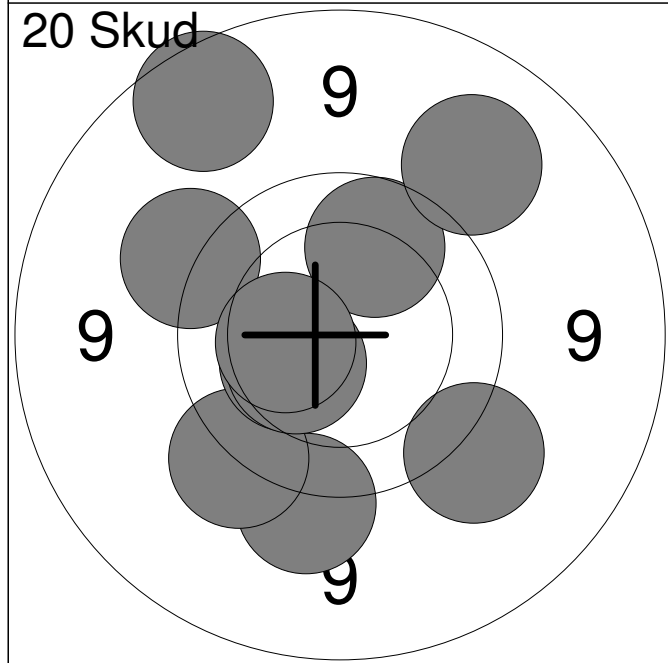
11: 9.9 ←	16: 10.2 →	Serie	96.0
12: 10.1 ↗	17: 9.9 ←		
13: 10.4 ↑	18: 9.4 ←	Total	192.0
14: 9.5 ←	19: 10.4 ↘		
15: *10.7 →	20: 10.4 ←		



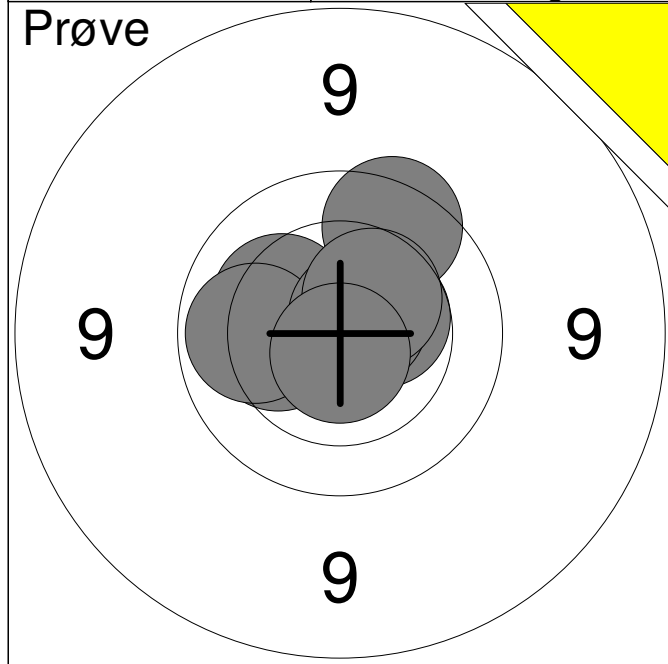
1:	10.2	↘
2:	10.4	↗
3:	10.2	↗
Serie		30.0
Total		0.0



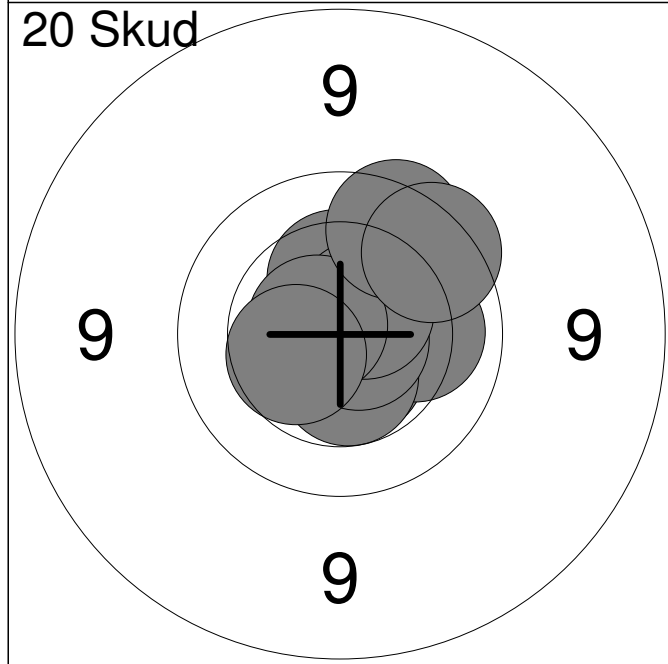
1:	9.1	↗
2:	10.4	→
3:	0.0	
4:	9.5	↘
5:	9.7	→
6:	9.6	↗
7:	9.7	↙
8:	9.8	↗
9:	10.2	→
10:	9.7	→
Serie		83.0
Total		83.0



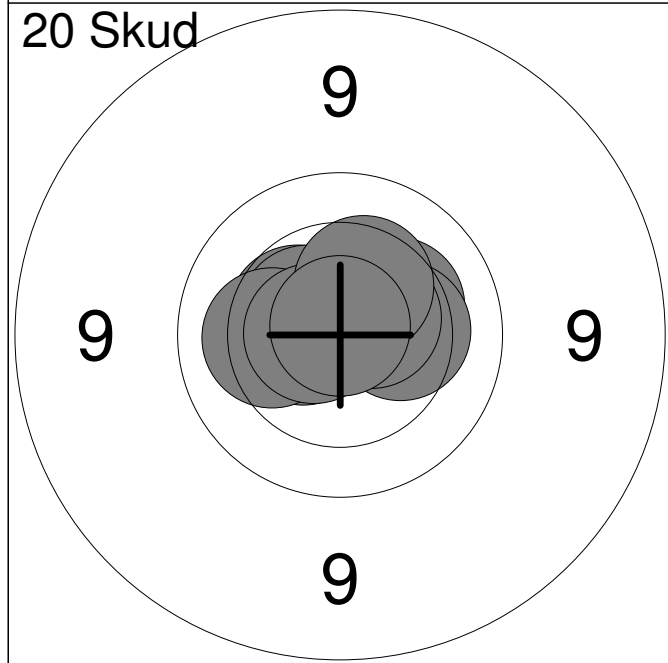
11:	9.5	↘
12:	9.5	↙
13:	8.9	↗
14:	10.3	↙
15:	9.4	↘
16:	10.4	↙
17:	9.5	↗
18:	9.9	↗
19:	10.4	←
20:	9.2	↗
Serie		92.0
Total		175.0



1:	10.3	←
2:	10.2	↖
3:	10.0	←
4:	10.5	→
5:	9.8	↗
6:	*10.7	↗
7:	10.4	↗
8:	*10.7	↓
Serie		79.0
Total		0.0



1:	*10.6	↓
2:	10.4	↑
3:	10.1	→
4:	10.5	↓
5:	*10.7	→
6:	*10.6	↗
7:	*10.7	↖
8:	9.8	↗
9:	9.8	↗
10:	10.4	↖
Serie		98.0
Total		98.0



11:	10.3	↗
12:	*10.5	←
13:	10.3	→
14:	10.4	↖
15:	*10.5	↖
16:	*10.6	↗
17:	10.2	←
18:	*10.7	←
19:	10.4	↗
20:	*10.8	↑
Serie		100.0
Total		198.0

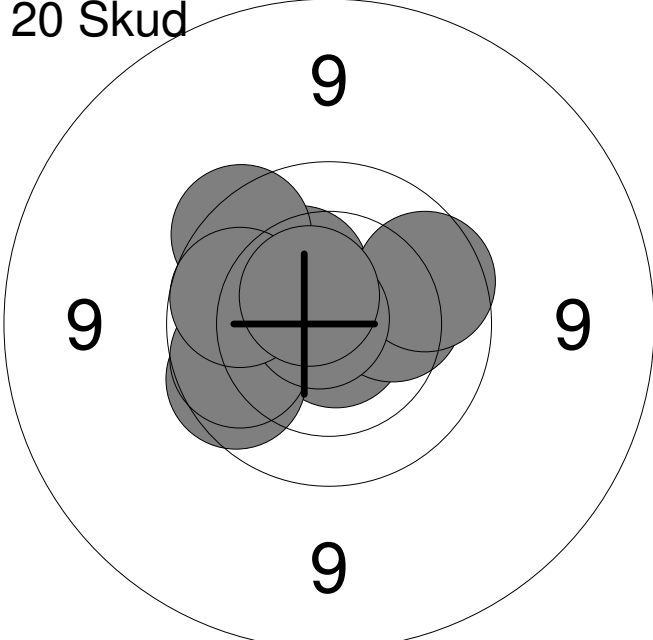
<p>Prøve</p>	<table style="width:100%;"> <tr><td>1:</td><td>9.5</td><td style="text-align: right;">←</td></tr> <tr><td>2:</td><td>9.9</td><td style="text-align: right;">←</td></tr> <tr><td>3:</td><td>10.0</td><td style="text-align: right;">←</td></tr> <tr><td>4:</td><td>*10.6</td><td style="text-align: right;">↘</td></tr> <tr><td>5:</td><td>*10.5</td><td style="text-align: right;">↘</td></tr> <tr><td>6:</td><td>*10.8</td><td style="text-align: right;">↗</td></tr> </table>	1:	9.5	←	2:	9.9	←	3:	10.0	←	4:	*10.6	↘	5:	*10.5	↘	6:	*10.8	↗
1:	9.5	←																	
2:	9.9	←																	
3:	10.0	←																	
4:	*10.6	↘																	
5:	*10.5	↘																	
6:	*10.8	↗																	
<table style="width:100%;"> <tr> <td style="width:80%;">Serie</td> <td style="text-align: right;">58.0</td> </tr> <tr> <td>Total</td> <td style="text-align: right;">0.0</td> </tr> </table>		Serie	58.0	Total	0.0														
Serie	58.0																		
Total	0.0																		

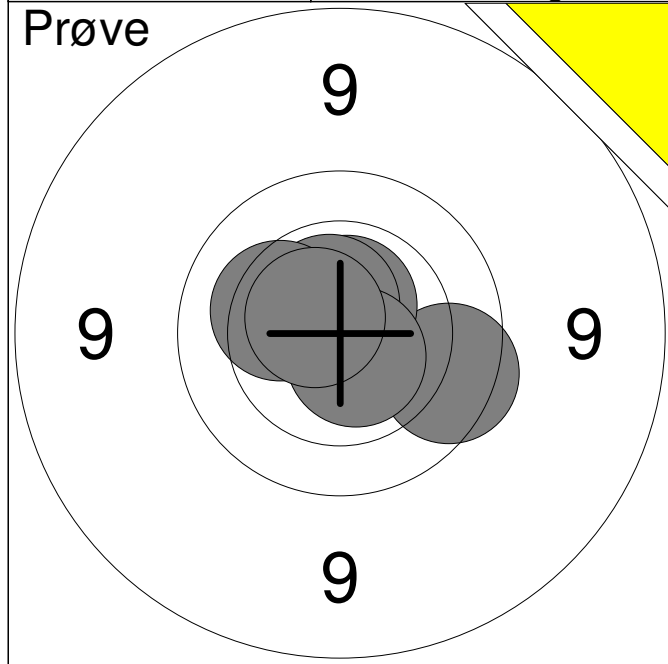
<p>20 Skud</p>	<table style="width:100%;"> <tr><td>1:</td><td>10.0</td><td style="text-align: right;">↗</td></tr> <tr><td>2:</td><td>10.4</td><td style="text-align: right;">↗</td></tr> <tr><td>3:</td><td>10.2</td><td style="text-align: right;">↓</td></tr> <tr><td>4:</td><td>9.7</td><td style="text-align: right;">↓</td></tr> <tr><td>5:</td><td>10.3</td><td style="text-align: right;">↓</td></tr> <tr><td>6:</td><td>10.4</td><td style="text-align: right;">↗</td></tr> <tr><td>7:</td><td>*10.6</td><td style="text-align: right;">→</td></tr> <tr><td>8:</td><td>*10.6</td><td style="text-align: right;">↓</td></tr> <tr><td>9:</td><td>10.4</td><td style="text-align: right;">→</td></tr> <tr><td>10:</td><td>10.2</td><td style="text-align: right;">↘</td></tr> </table>	1:	10.0	↗	2:	10.4	↗	3:	10.2	↓	4:	9.7	↓	5:	10.3	↓	6:	10.4	↗	7:	*10.6	→	8:	*10.6	↓	9:	10.4	→	10:	10.2	↘
1:	10.0	↗																													
2:	10.4	↗																													
3:	10.2	↓																													
4:	9.7	↓																													
5:	10.3	↓																													
6:	10.4	↗																													
7:	*10.6	→																													
8:	*10.6	↓																													
9:	10.4	→																													
10:	10.2	↘																													
<table style="width:100%;"> <tr> <td style="width:80%;">Serie</td> <td style="text-align: right;">99.0</td> </tr> <tr> <td>Total</td> <td style="text-align: right;">99.0</td> </tr> </table>		Serie	99.0	Total	99.0																										
Serie	99.0																														
Total	99.0																														

<p>20 Skud</p>	<table style="width:100%;"> <tr><td>11:</td><td>*10.6</td><td style="text-align: right;">↗</td></tr> <tr><td>12:</td><td>*10.8</td><td style="text-align: right;">↓</td></tr> <tr><td>13:</td><td>*10.7</td><td style="text-align: right;">↗</td></tr> <tr><td>14:</td><td>10.2</td><td style="text-align: right;">↗</td></tr> <tr><td>15:</td><td>10.3</td><td style="text-align: right;">↗</td></tr> <tr><td>16:</td><td>*10.5</td><td style="text-align: right;">↓</td></tr> <tr><td>17:</td><td>*10.6</td><td style="text-align: right;">→</td></tr> <tr><td>18:</td><td>9.7</td><td style="text-align: right;">↗</td></tr> <tr><td>19:</td><td>10.2</td><td style="text-align: right;">↘</td></tr> <tr><td>20:</td><td>10.4</td><td style="text-align: right;">↗</td></tr> </table>	11:	*10.6	↗	12:	*10.8	↓	13:	*10.7	↗	14:	10.2	↗	15:	10.3	↗	16:	*10.5	↓	17:	*10.6	→	18:	9.7	↗	19:	10.2	↘	20:	10.4	↗
11:	*10.6	↗																													
12:	*10.8	↓																													
13:	*10.7	↗																													
14:	10.2	↗																													
15:	10.3	↗																													
16:	*10.5	↓																													
17:	*10.6	→																													
18:	9.7	↗																													
19:	10.2	↘																													
20:	10.4	↗																													
<table style="width:100%;"> <tr> <td style="width:80%;">Serie</td> <td style="text-align: right;">99.0</td> </tr> <tr> <td>Total</td> <td style="text-align: right;">198.0</td> </tr> </table>		Serie	99.0	Total	198.0																										
Serie	99.0																														
Total	198.0																														

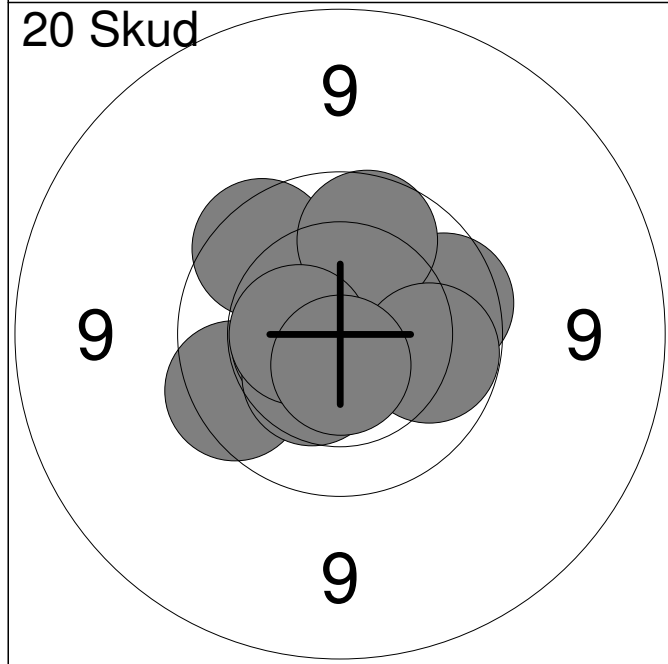
Prøve 	1:	10.1	↗
	2:	9.9	↗
	3:	10.4	↘
	4:	10.1	↘
	5:	10.1	↙
	6:	10.2	↗
	7:	10.1	↘
	8:	9.9	↗
	9:	10.3	↙
	Serie		88.0
Total		0.0	

20 Skud 	1:	10.1	↗
	2:	*10.9	↙
	3:	10.2	↘
	4:	10.0	↙
	5:	10.0	↙
	6:	10.5	↘
	7:	10.5	↘
	8:	9.7	↘
	9:	10.2	↗
	10:	10.1	↗
Serie		99.0	
Total		99.0	

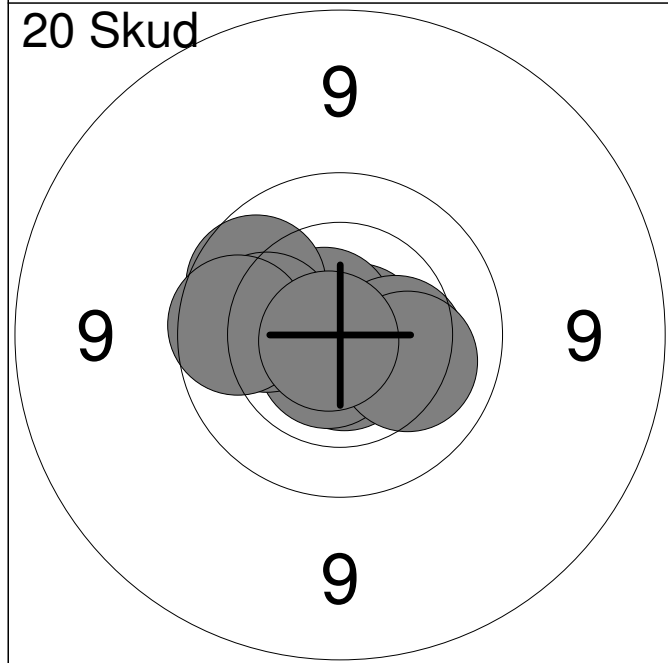
20 Skud 	11:	*10.8	↘
	12:	10.3	↗
	13:	9.9	↙
	14:	10.3	→
	15:	9.9	↗
	16:	9.9	↙
	17:	*10.8	↗
	18:	9.8	↗
	19:	9.9	↗
	20:	*10.6	↗
Serie		95.0	
Total		194.0	



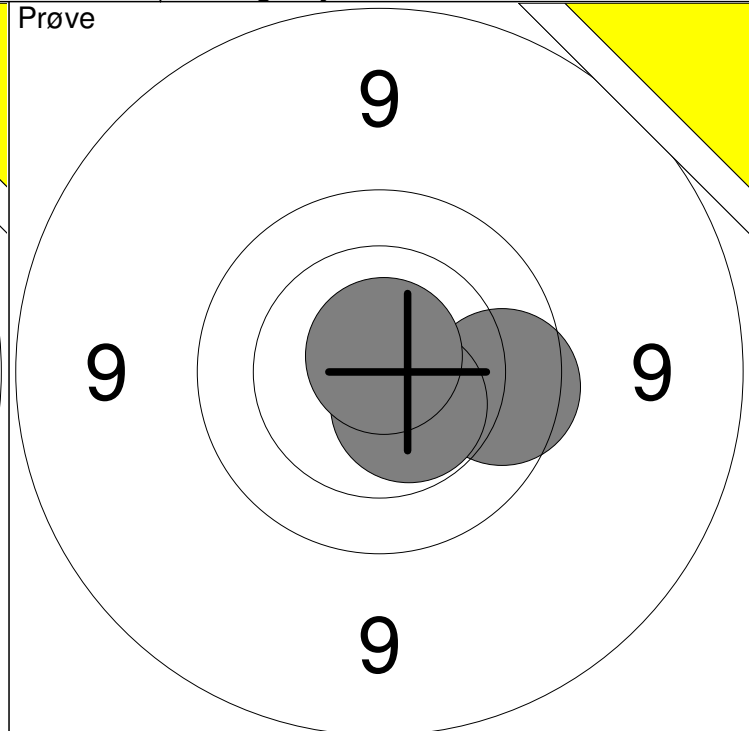
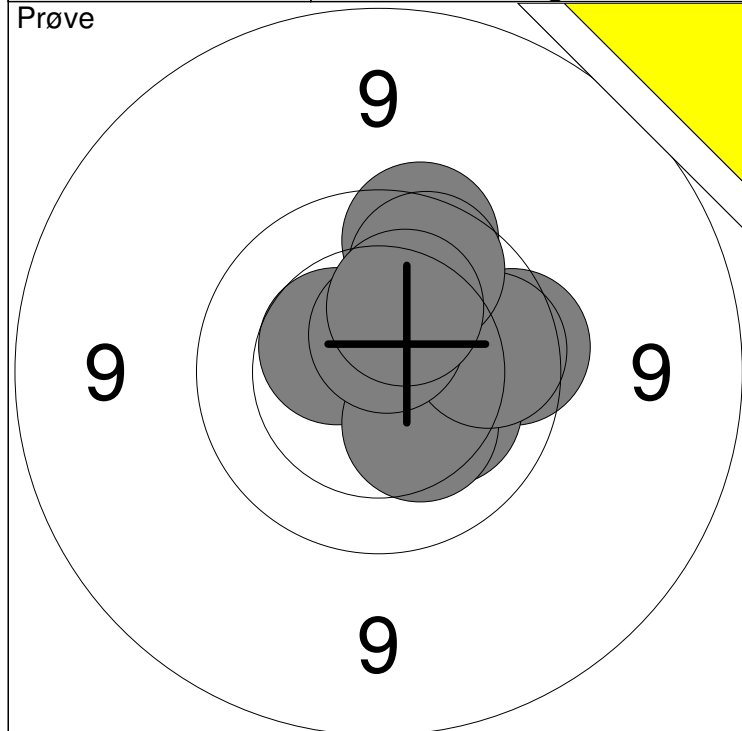
1:	9.8	→
2:	*10.6	↑
3:	*10.6	↑
4:	*10.6	↓
5:	10.3	↑
6:	*10.6	↑
Serie		59.0
Total		0.0



1:	9.8	↙
2:	*10.5	←
3:	10.5	→
4:	10.4	↙
5:	9.9	→
6:	9.8	↗
7:	9.9	↑
8:	*10.5	←
9:	10.0	→
10:	*10.6	↓
Serie		96.0
Total		96.0

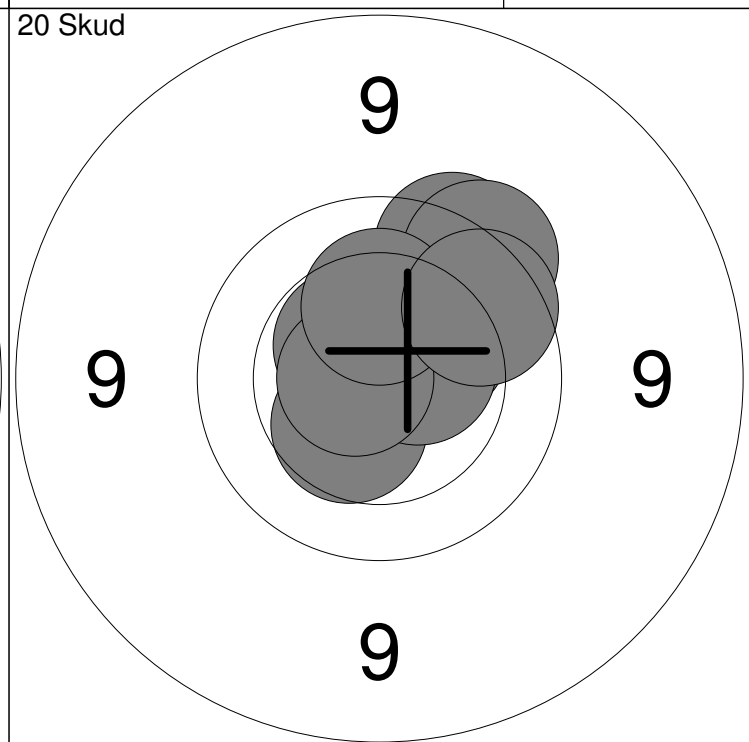
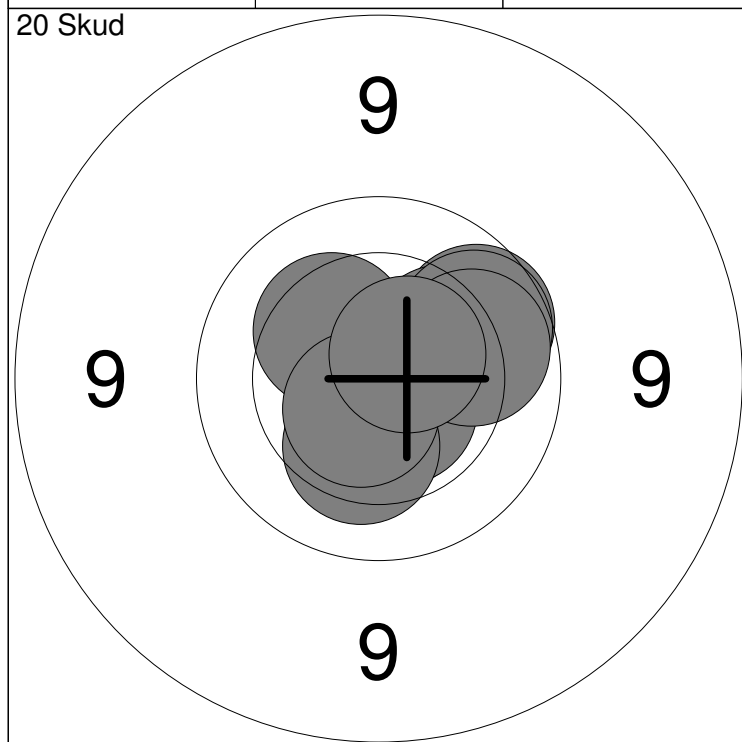


11:	*10.7	↓
12:	*10.8	→
13:	*10.7	↙
14:	*10.7	↗
15:	9.9	↗
16:	10.3	→
17:	10.1	←
18:	10.2	→
19:	9.9	←
20:	*10.8	↙
Serie		98.0
Total		194.0



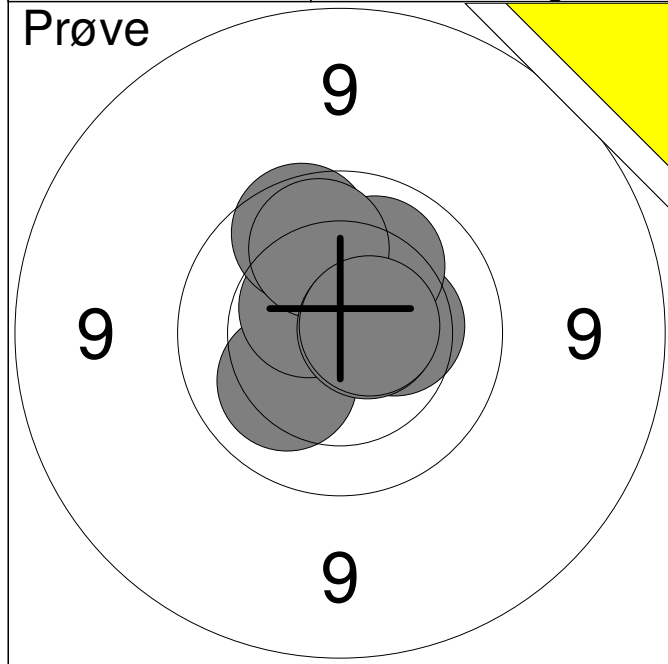
1: 9.8 →	6: 9.8 ↗	Serie	96.0
2: 10.5 ↖	7: 9.9 →		
3: 10.4 →	8: *10.6 ↗	Total	0.0
4: 10.2 ↘	9: 9.9 ↗		
5: 10.3 ↘	10: 10.3 ↗		

11: 9.8 →	Serie	29.0
12: *10.5 ↘		
13: *10.8 ↗	Total	0.0

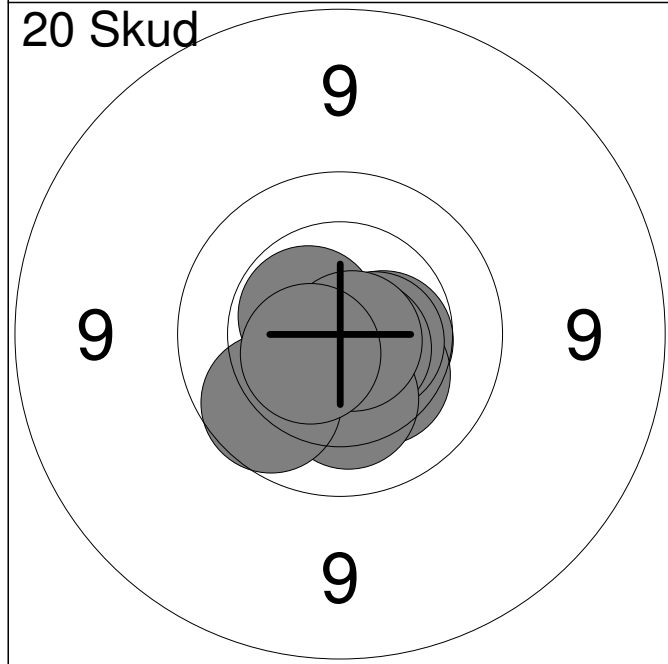


1: *10.6 ↘	6: 10.3 ↖	Serie	98.0
2: *10.6 ↘	7: 9.9 →		
3: 9.9 →	8: *10.6 ↘	Total	98.0
4: 10.2 ↗	9: 10.0 →		
5: 10.3 ↘	10: *10.6 ↗		

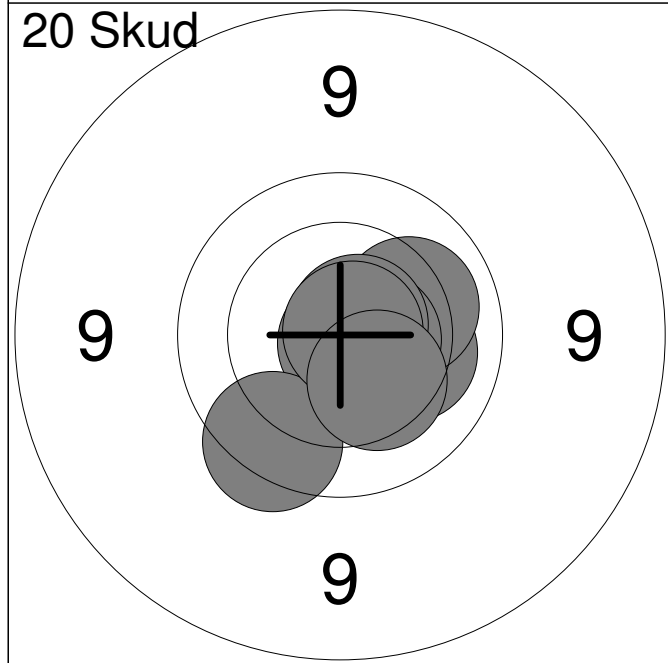
11: 10.4 ↘	16: *10.5 ↖	Serie	96.0
12: 9.7 ↗	17: *10.6 →		
13: 10.3 ↗	18: *10.7 ←	Total	194.0
14: 9.7 ↗	19: 10.3 ↗		
15: 9.7 ↗	20: 9.8 ↗		



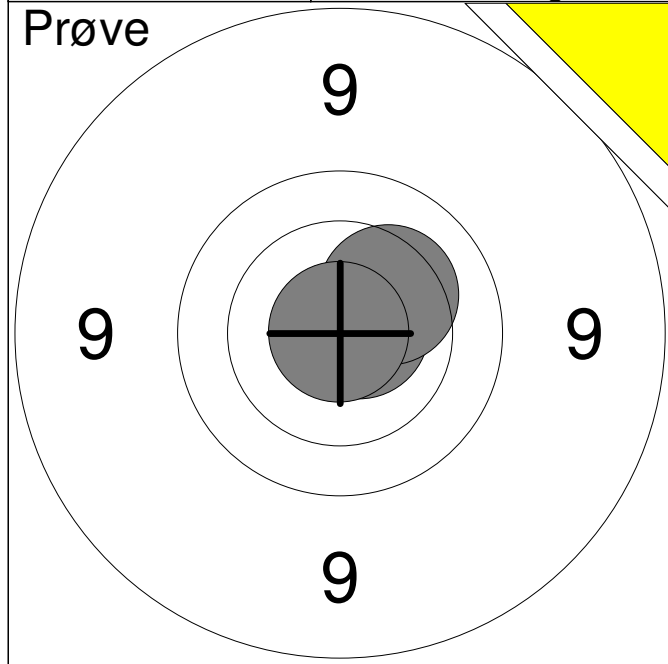
1:	10.2	↙
2:	10.4	↗
3:	*10.5	↗
4:	10.4	→
5:	10.1	↗
6:	9.9	↗
7:	10.0	↗
8:	*10.7	→
9:	*10.6	→
Serie		89.0
Total		0.0



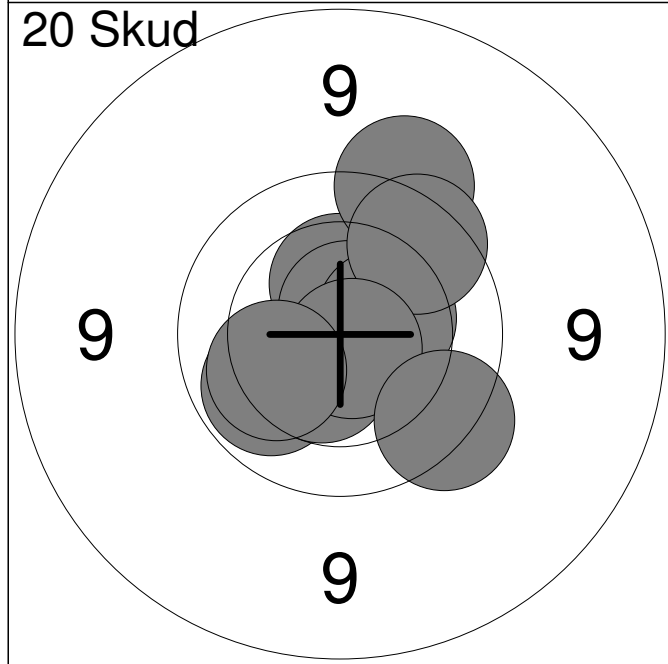
1:	10.5	→
2:	10.3	↘
3:	*10.6	→
4:	*10.5	↘
5:	*10.7	↘
6:	*10.6	↗
7:	10.2	↘
8:	9.9	↙
9:	*10.8	↘
10:	*10.6	↙
Serie		99.0
Total		99.0



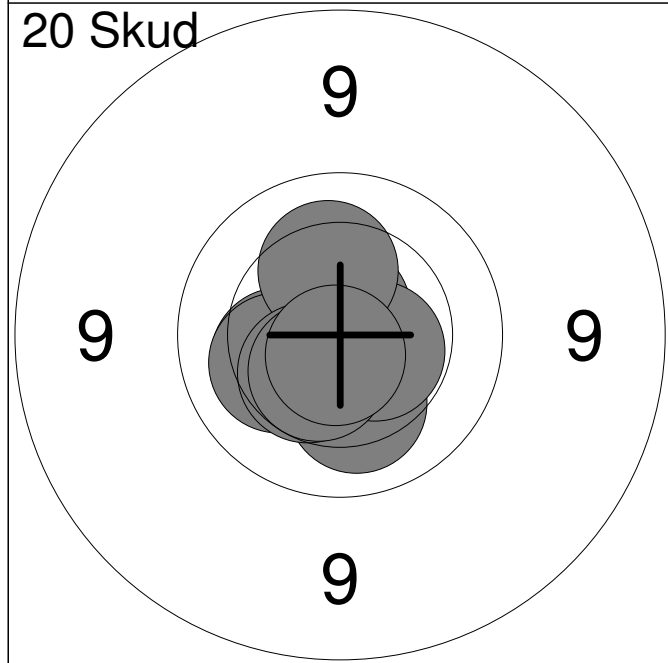
11:	10.2	→
12:	*10.6	→
13:	*10.5	↘
14:	*10.8	↘
15:	10.1	↗
16:	*10.6	→
17:	9.7	↙
18:	*10.7	↗
19:	*10.8	→
20:	10.3	↘
Serie		99.0
Total		198.0



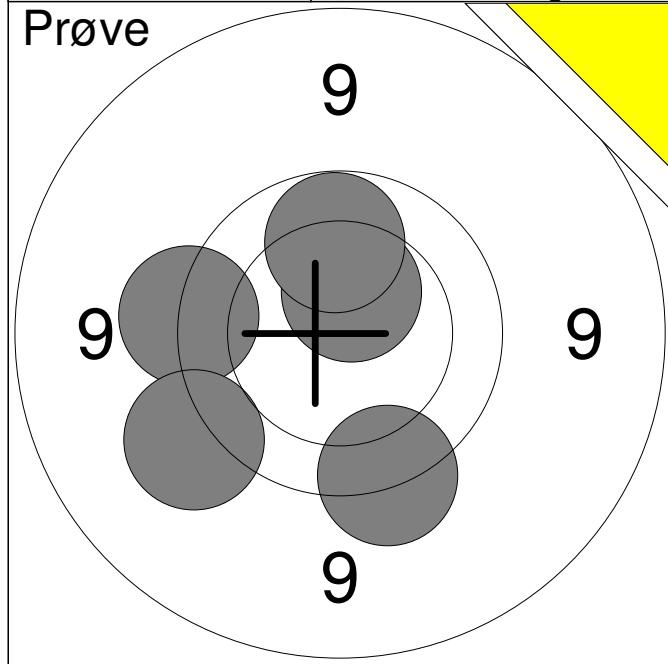
1:	*10.7	→
2:	10.3	↗
3:	*10.9	↖
Serie 30.0		
Total 0.0		



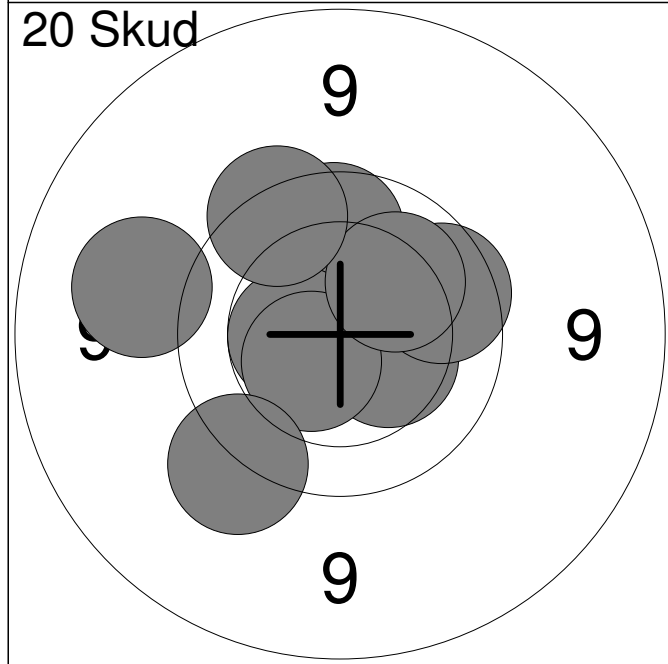
1:	10.4	↑
2:	*10.7	↑
3:	9.5	↑
4:	10.4	→
5:	9.8	↗
6:	10.0	↖
7:	10.5	↓
8:	*10.8	↓
9:	10.2	↖
10:	9.7	↓
Serie 97.0		
Total 97.0		



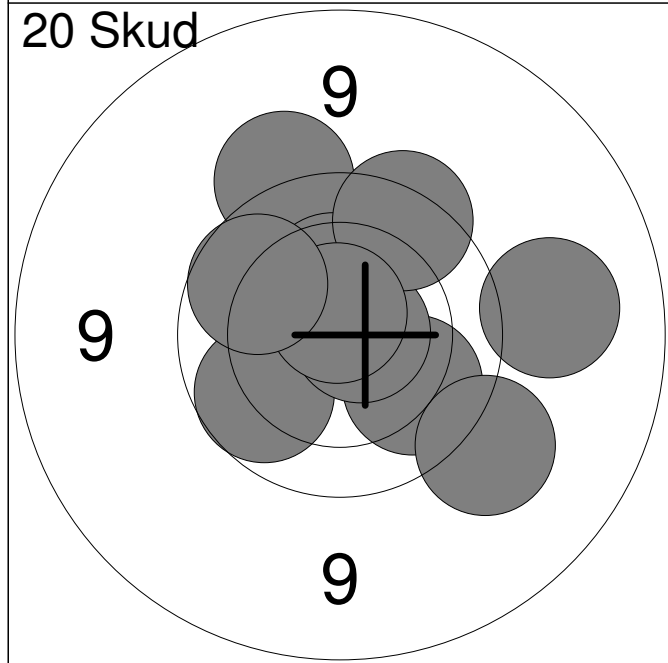
11:	10.3	↖
12:	10.4	↖
13:	*10.7	↑
14:	10.2	↖
15:	10.2	↓
16:	*10.5	↗
17:	10.2	↑
18:	10.4	↖
19:	*10.5	↖
20:	*10.7	↓
Serie 100.0		
Total 197.0		



1:	9.6	↓
2:	9.6	←
3:	9.4	↙
4:	10.5	↑
5:	10.0	↑
Serie		47.0
Total		0.0



1:	9.3	←
2:	9.9	↑
3:	10.3	↗
4:	10.4	↘
5:	10.5	←
6:	9.8	→
7:	*10.5	↙
8:	10.1	↗
9:	9.7	↑
10:	9.5	↙
Serie		95.0
Total		95.0

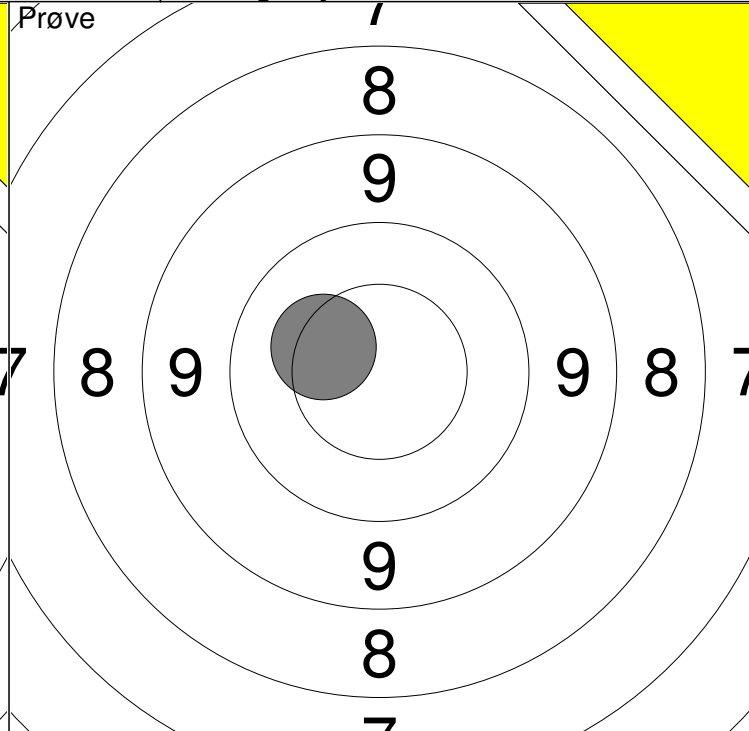
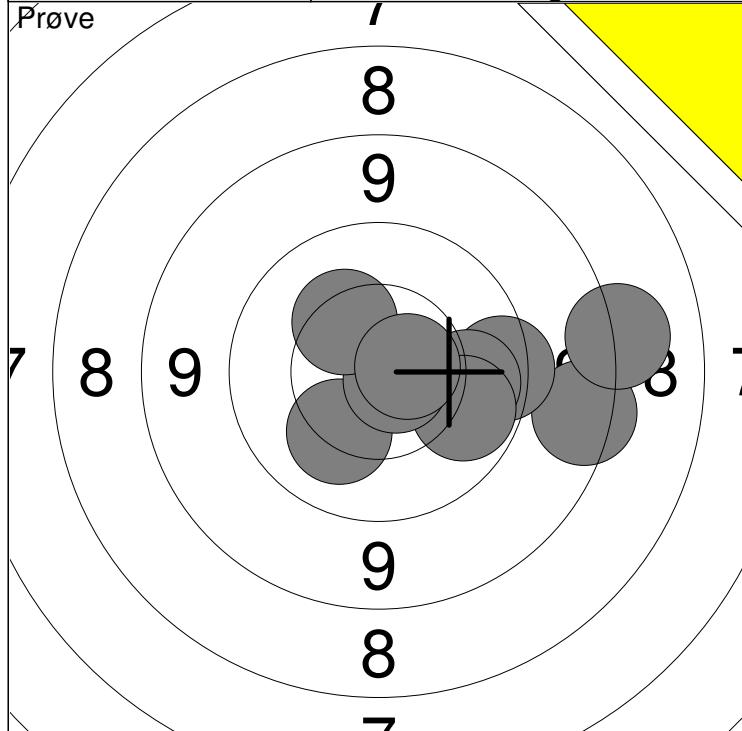


11:	9.5	↑
12:	9.9	↙
13:	10.0	↘
14:	*10.7	→
15:	10.4	↑
16:	9.7	↗
17:	*10.7	↑
18:	9.9	↗
19:	9.4	↘
20:	9.2	→
Serie		94.0
Total		189.0

<p>Prøve</p>	<table style="width:100%; border-collapse: collapse;"> <tr><td style="width:10%;">1:</td><td style="width:70%;">10.5</td><td style="width:20%; text-align: right;">↘</td></tr> <tr><td>2:</td><td>*10.7</td><td style="text-align: right;">←</td></tr> <tr><td>3:</td><td>*10.7</td><td style="text-align: right;">↘</td></tr> <tr><td>4:</td><td>*10.7</td><td style="text-align: right;">↗</td></tr> <tr><td>5:</td><td>10.4</td><td style="text-align: right;">↘</td></tr> <tr><td>6:</td><td>*10.7</td><td style="text-align: right;">→</td></tr> </table>	1:	10.5	↘	2:	*10.7	←	3:	*10.7	↘	4:	*10.7	↗	5:	10.4	↘	6:	*10.7	→
1:	10.5	↘																	
2:	*10.7	←																	
3:	*10.7	↘																	
4:	*10.7	↗																	
5:	10.4	↘																	
6:	*10.7	→																	
<table style="width:100%; border-collapse: collapse;"> <tr> <td style="width:10%;">Serie</td> <td style="width:70%;"></td> <td style="width:20%; text-align: right;">60.0</td> </tr> <tr> <td>Total</td> <td></td> <td style="text-align: right;">0.0</td> </tr> </table>		Serie		60.0	Total		0.0												
Serie		60.0																	
Total		0.0																	

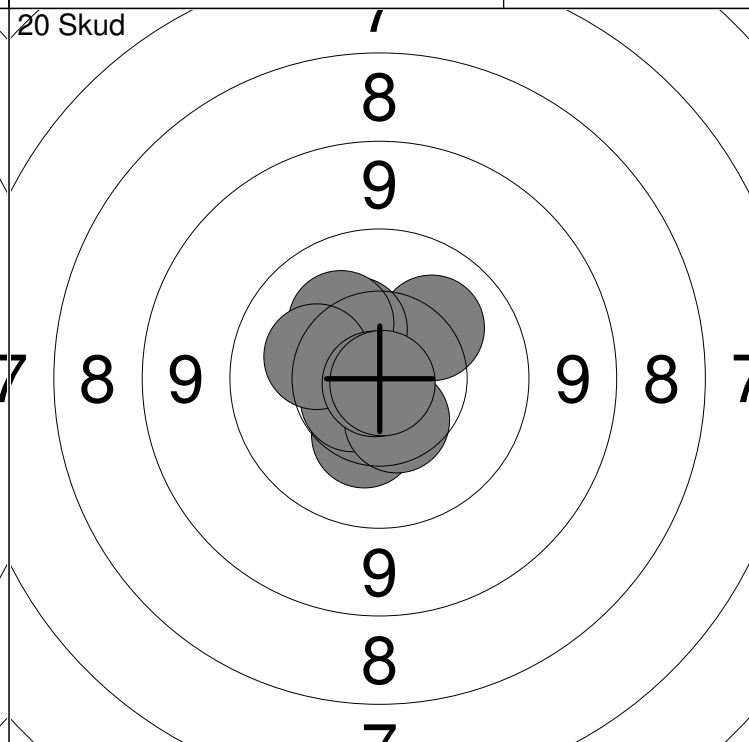
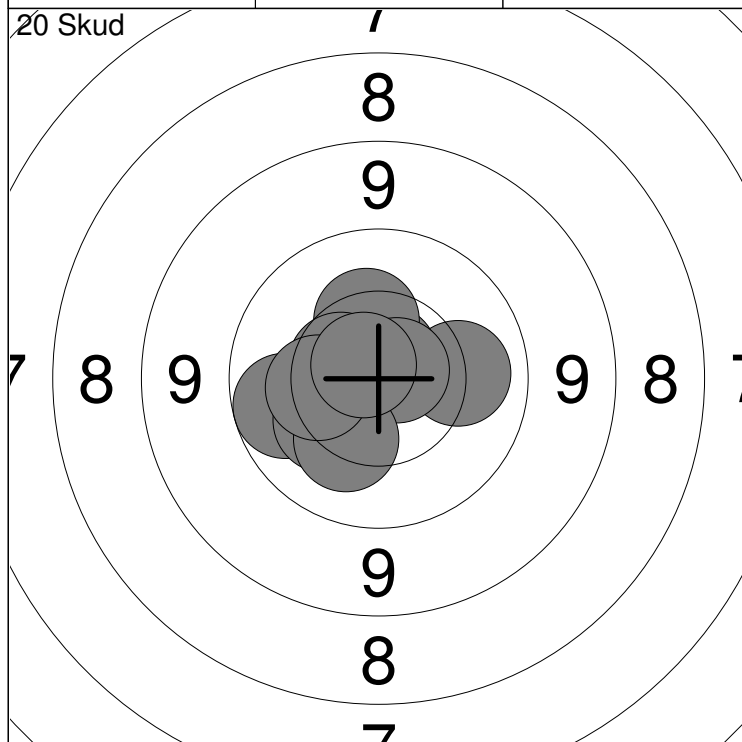
<p>20 Skud</p>	<table style="width:100%; border-collapse: collapse;"> <tr><td style="width:10%;">1:</td><td style="width:70%;">*10.7</td><td style="width:20%; text-align: right;">↘</td></tr> <tr><td>2:</td><td>*10.7</td><td style="text-align: right;">↗</td></tr> <tr><td>3:</td><td>*10.7</td><td style="text-align: right;">→</td></tr> <tr><td>4:</td><td>10.4</td><td style="text-align: right;">↗</td></tr> <tr><td>5:</td><td>10.2</td><td style="text-align: right;">↗</td></tr> <tr><td>6:</td><td>10.0</td><td style="text-align: right;">←</td></tr> <tr><td>7:</td><td>*10.9</td><td style="text-align: right;">↗</td></tr> <tr><td>8:</td><td>*10.5</td><td style="text-align: right;">↗</td></tr> <tr><td>9:</td><td>*10.7</td><td style="text-align: right;">←</td></tr> <tr><td>10:</td><td>10.4</td><td style="text-align: right;">↑</td></tr> </table>	1:	*10.7	↘	2:	*10.7	↗	3:	*10.7	→	4:	10.4	↗	5:	10.2	↗	6:	10.0	←	7:	*10.9	↗	8:	*10.5	↗	9:	*10.7	←	10:	10.4	↑
1:	*10.7	↘																													
2:	*10.7	↗																													
3:	*10.7	→																													
4:	10.4	↗																													
5:	10.2	↗																													
6:	10.0	←																													
7:	*10.9	↗																													
8:	*10.5	↗																													
9:	*10.7	←																													
10:	10.4	↑																													
<table style="width:100%; border-collapse: collapse;"> <tr> <td style="width:10%;">Serie</td> <td style="width:70%;"></td> <td style="width:20%; text-align: right;">100.0</td> </tr> <tr> <td>Total</td> <td></td> <td style="text-align: right;">100.0</td> </tr> </table>		Serie		100.0	Total		100.0																								
Serie		100.0																													
Total		100.0																													

<p>20 Skud</p>	<table style="width:100%; border-collapse: collapse;"> <tr><td style="width:10%;">11:</td><td style="width:70%;">*10.7</td><td style="width:20%; text-align: right;">←</td></tr> <tr><td>12:</td><td>*10.6</td><td style="text-align: right;">↘</td></tr> <tr><td>13:</td><td>*10.8</td><td style="text-align: right;">↗</td></tr> <tr><td>14:</td><td>*10.7</td><td style="text-align: right;">↑</td></tr> <tr><td>15:</td><td>*10.6</td><td style="text-align: right;">↗</td></tr> <tr><td>16:</td><td>*10.5</td><td style="text-align: right;">↑</td></tr> <tr><td>17:</td><td>*10.5</td><td style="text-align: right;">↑</td></tr> <tr><td>18:</td><td>*10.5</td><td style="text-align: right;">↑</td></tr> <tr><td>19:</td><td>*10.9</td><td style="text-align: right;">↑</td></tr> <tr><td>20:</td><td>9.9</td><td style="text-align: right;">↘</td></tr> </table>	11:	*10.7	←	12:	*10.6	↘	13:	*10.8	↗	14:	*10.7	↑	15:	*10.6	↗	16:	*10.5	↑	17:	*10.5	↑	18:	*10.5	↑	19:	*10.9	↑	20:	9.9	↘
11:	*10.7	←																													
12:	*10.6	↘																													
13:	*10.8	↗																													
14:	*10.7	↑																													
15:	*10.6	↗																													
16:	*10.5	↑																													
17:	*10.5	↑																													
18:	*10.5	↑																													
19:	*10.9	↑																													
20:	9.9	↘																													
<table style="width:100%; border-collapse: collapse;"> <tr> <td style="width:10%;">Serie</td> <td style="width:70%;"></td> <td style="width:20%; text-align: right;">99.0</td> </tr> <tr> <td>Total</td> <td></td> <td style="text-align: right;">199.0</td> </tr> </table>		Serie		99.0	Total		199.0																								
Serie		99.0																													
Total		199.0																													



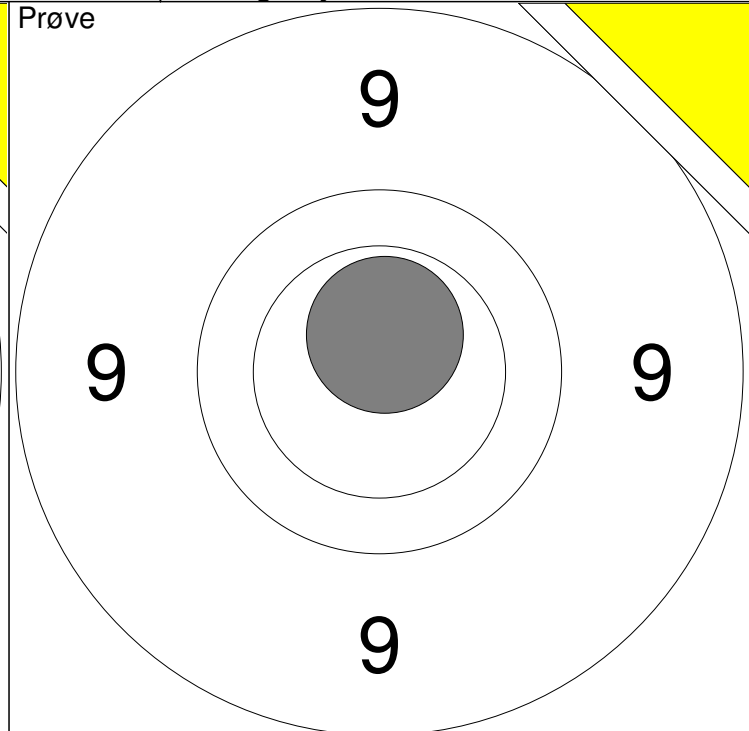
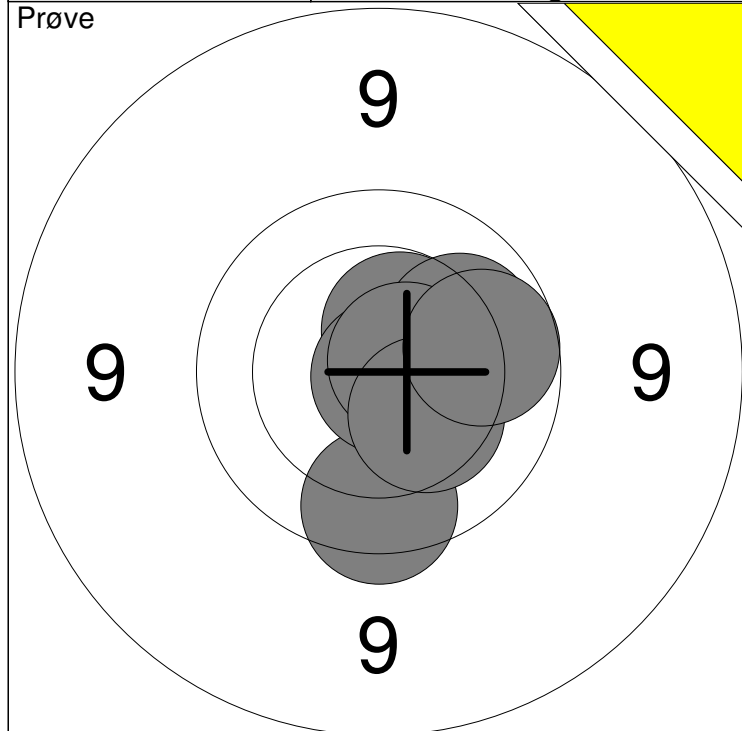
1: 8.7 →	6: 10.0 →	Serie	95.0
2: 8.3 →	7: 10.0 →		
3: 10.2 ↓	8: *10.7 →	Total	0.0
4: 10.0 →	9: 10.3 ↖		
5: 9.7 →	10: *10.6 →		

11: 10.3 ←	Serie	10.0
	Total	0.0



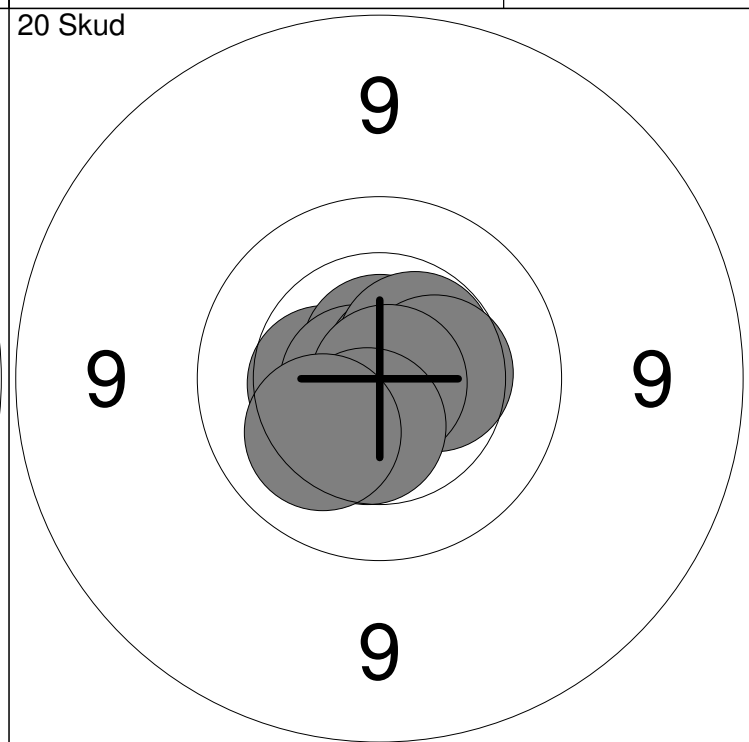
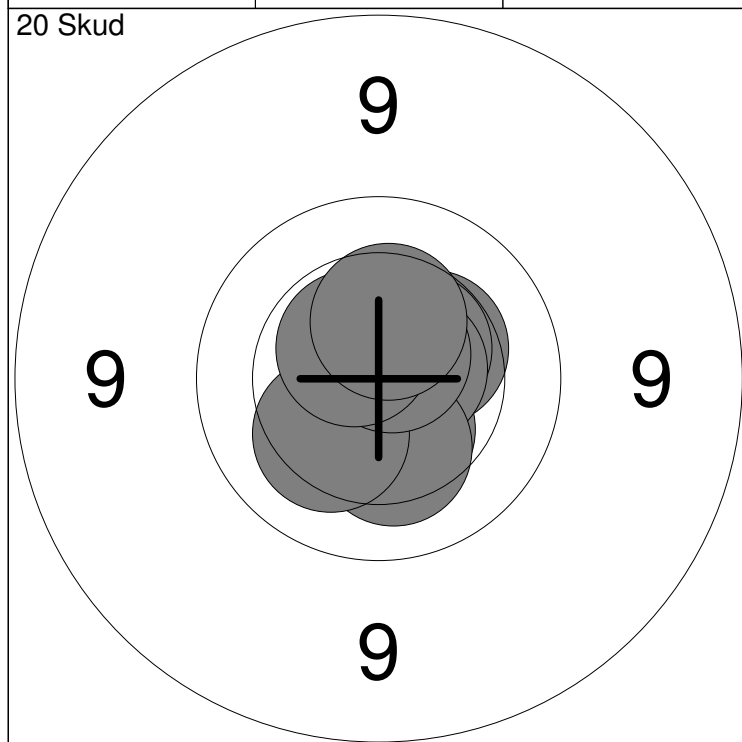
1: 10.1 →	6: 10.5 ←	Serie	100.0
2: 10.0 ←	7: *10.7 →		
3: *10.7 ↑	8: 10.2 ↓	Total	100.0
4: 10.3 ↑	9: 10.3 ←		
5: 10.3 ←	10: *10.7 ↖		

11: *10.6 ↓	16: *10.6 ↙	Serie	100.0
12: 10.2 ↗	17: 10.5 ↓		
13: 10.4 ↖	18: 10.3 ←	Total	200.0
14: 10.3 ↖	19: *10.9 ↙		
15: 10.3 ↓	20: *10.9 ↘		



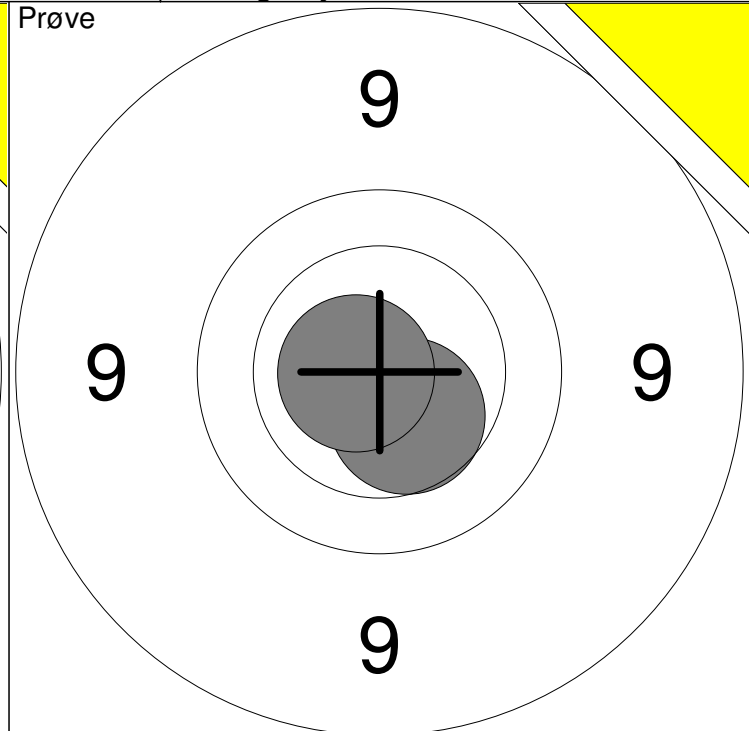
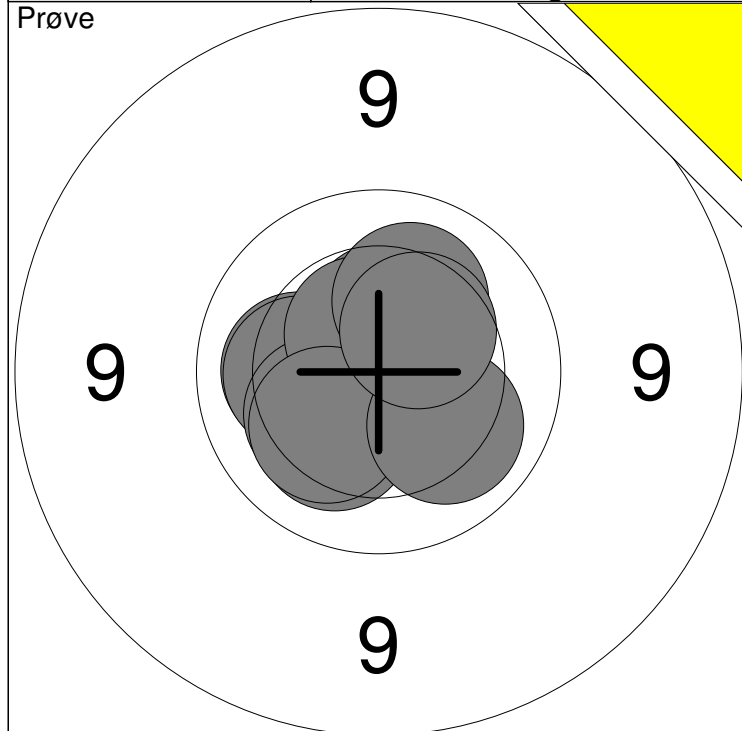
1: 9.8 ↓	6: *10.6 →	Serie	98.0
2: *10.5 ↗	7: *10.8 →		
3: 10.1 →	8: *10.7 →	Total	0.0
4: 10.4 ↘	9: 10.3 ↘		
5: *10.7 →	10: 9.9 →		

11: *10.6 ↑		Serie	10.0
		Total	0.0



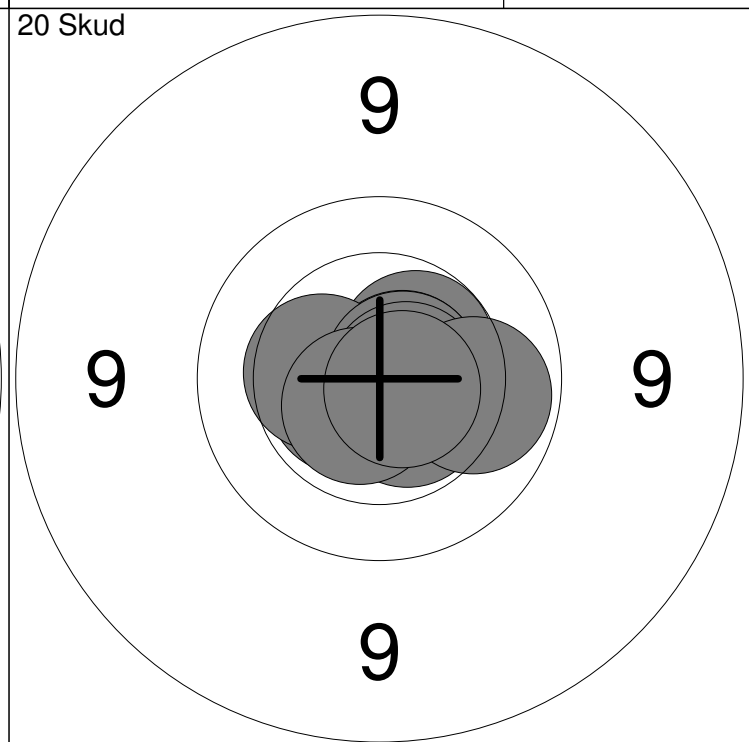
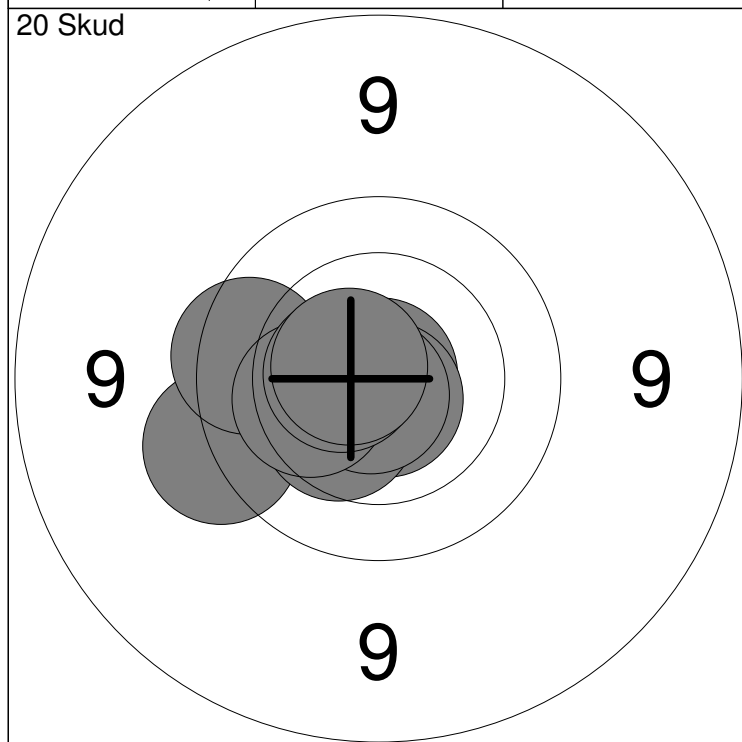
1: 10.4 →	6: 10.3 ↓	Serie	100.0
2: *10.5 ↗	7: 10.2 ↙		
3: 10.5 ↓	8: *10.7 ↗	Total	100.0
4: 10.4 ↓	9: *10.6 ↖		
5: *10.6 →	10: 10.4 ↑		

11: 10.4 ←	16: *10.5 ↗	Serie	100.0
12: *10.6 →	17: 10.4 →		
13: *10.7 ↑	18: *10.9 ↘	Total	200.0
14: *10.7 ←	19: 10.5 ↓		
15: *10.7 →	20: 10.2 ↙		



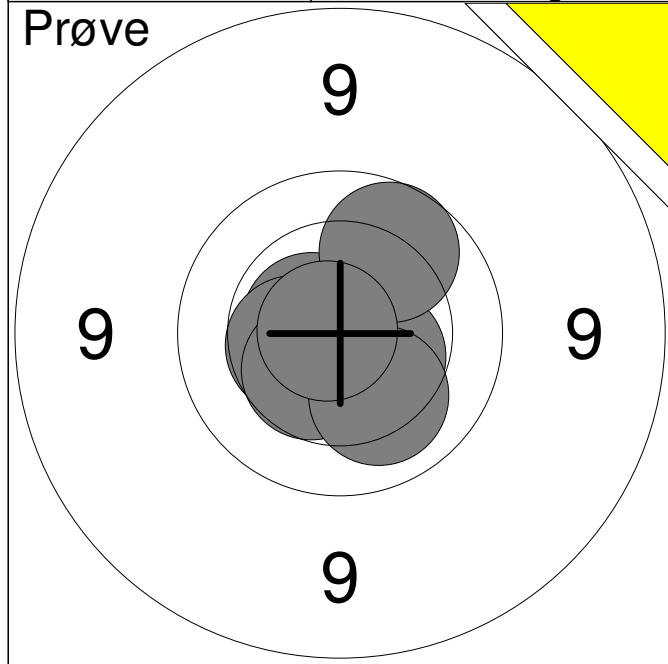
1: 10.2 ↘	6: *10.6 ↗	Serie	100.0
2: 10.2 ←	7: 10.2 ↗		
3: 10.2 ←	8: 10.2 ↘	Total	0.0
4: 10.3 ↙	9: 10.1 ↘		
5: 10.5 ↗	10: 10.4 ↗		

11: 10.4 ↘	Serie	20.0
12: *10.7 ←		
Total		0.0

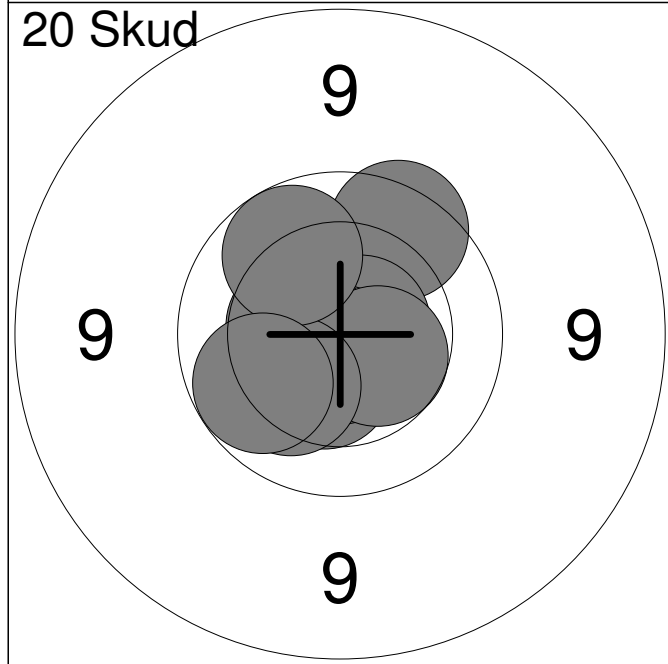


1: *10.9 ↗	6: 9.8 ←	Serie	98.0
2: 10.4 ↙	7: *10.8 ↘		
3: *10.7 ↘	8: 10.3 ←	Total	98.0
4: 9.6 ←	9: *10.6 ←		
5: 10.4 ↙	10: *10.6 ←		

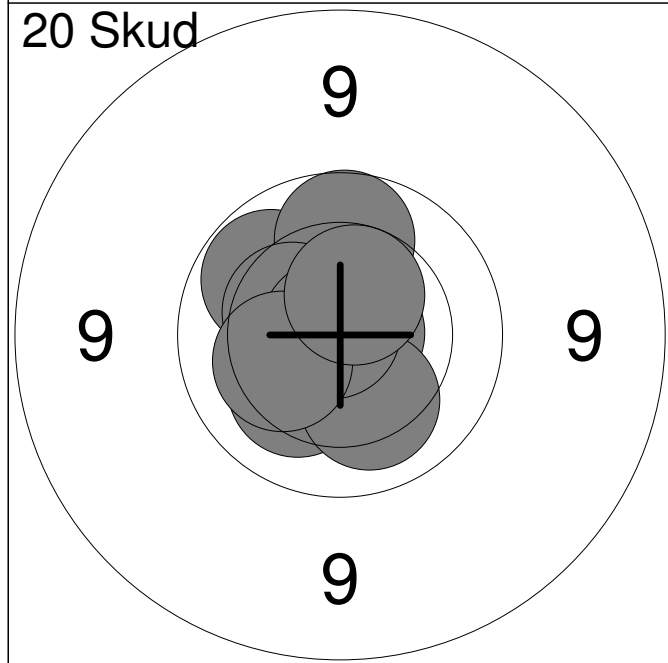
11: *10.5 ↗	16: *10.7 →	Serie	100.0
12: *10.7 →	17: *10.7 →		
13: *10.6 ↙	18: 10.0 →	Total	198.0
14: 10.4 ←	19: *10.6 ↘		
15: *10.5 ↘	20: *10.7 ↘		



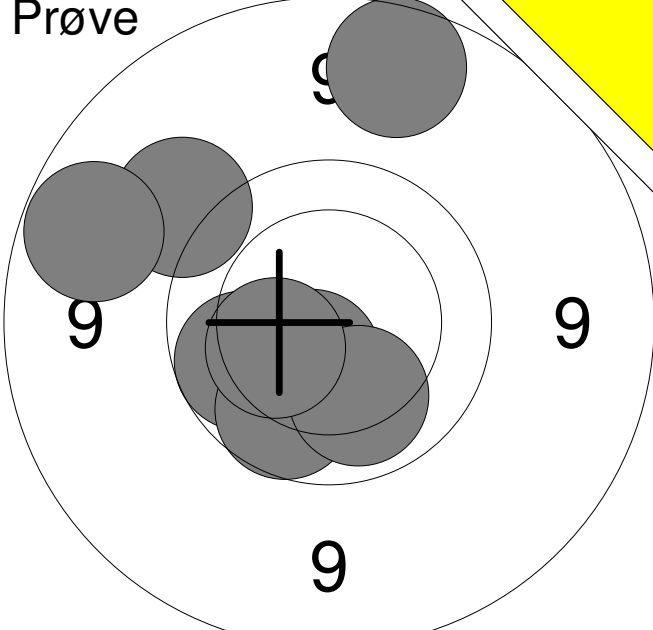
1:	*10.7	↓
2:	*10.6	↖
3:	10.5	↖
4:	*10.7	↙
5:	10.5	↙
6:	10.5	↘
7:	10.2	↘
8:	9.9	↗
9:	*10.8	↖
Serie		89.0
Total		0.0

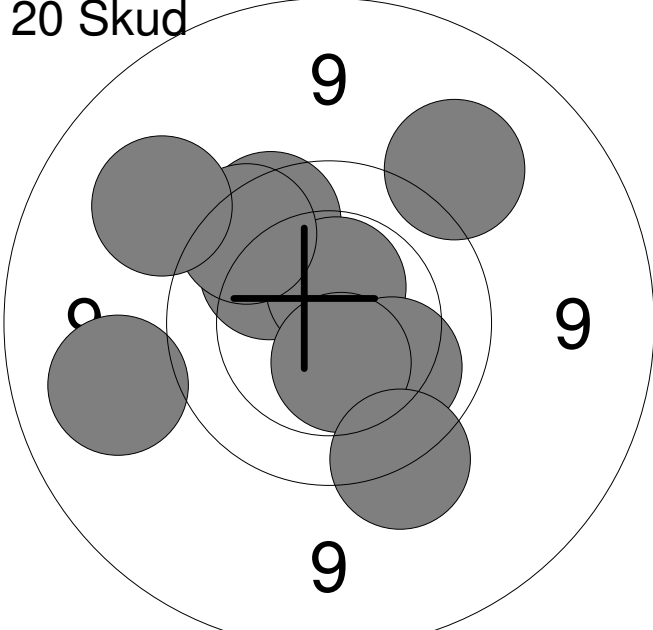


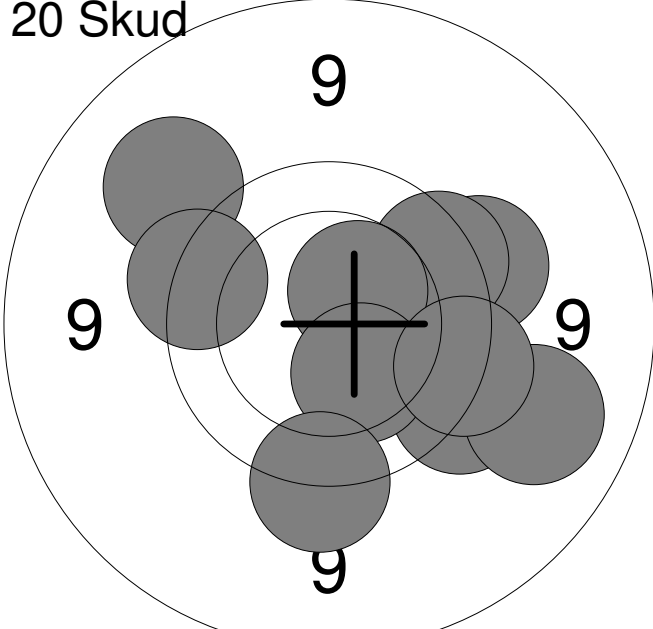
1:	10.4	↙
2:	9.8	↗
3:	*10.6	↖
4:	*10.7	↗
5:	*10.7	↓
6:	10.5	↖
7:	10.5	↘
8:	10.2	↙
9:	10.0	↗
10:	10.0	↙
Serie		99.0
Total		99.0

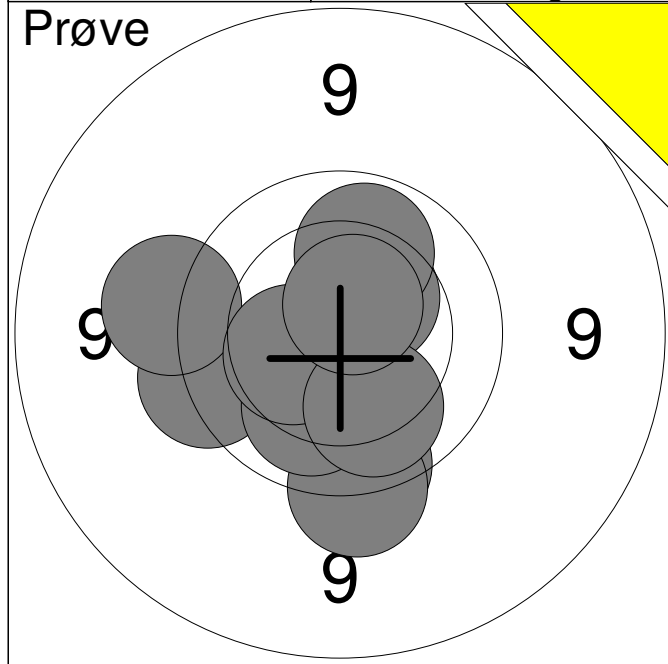


11:	*10.8	↗
12:	10.2	↙
13:	10.4	↗
14:	10.0	↗
15:	9.9	↑
16:	10.4	↗
17:	10.2	↘
18:	*10.8	↗
19:	10.3	↖
20:	*10.5	↗
Serie		99.0
Total		198.0

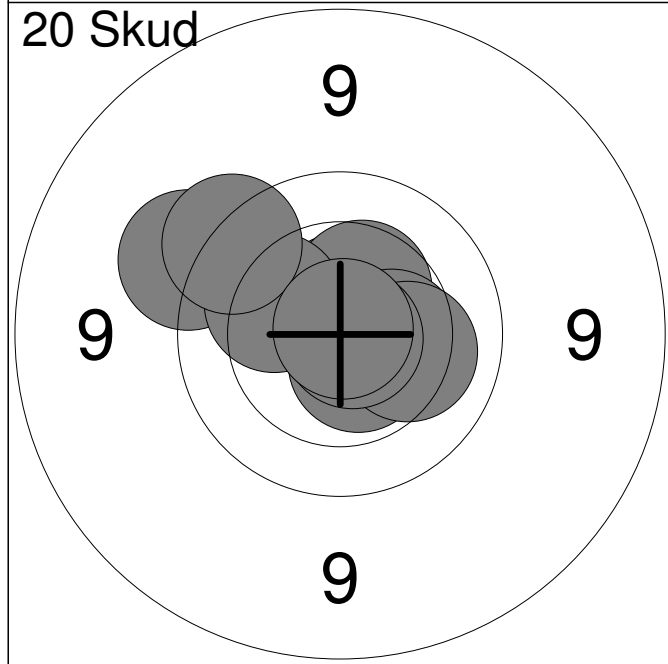
<p>Prøve</p> 	<table style="width:100%; border-collapse: collapse;"> <tr><td>1:</td><td>9.4</td><td>↗</td></tr> <tr><td>2:</td><td>*10.5</td><td>↘</td></tr> <tr><td>3:</td><td>9.9</td><td>↙</td></tr> <tr><td>4:</td><td>9.0</td><td>↖</td></tr> <tr><td>5:</td><td>9.9</td><td>↘</td></tr> <tr><td>6:</td><td>10.1</td><td>↘</td></tr> <tr><td>7:</td><td>8.9</td><td>↗</td></tr> <tr><td>8:</td><td>10.3</td><td>↙</td></tr> </table>	1:	9.4	↗	2:	*10.5	↘	3:	9.9	↙	4:	9.0	↖	5:	9.9	↘	6:	10.1	↘	7:	8.9	↗	8:	10.3	↙
1:	9.4	↗																							
2:	*10.5	↘																							
3:	9.9	↙																							
4:	9.0	↖																							
5:	9.9	↘																							
6:	10.1	↘																							
7:	8.9	↗																							
8:	10.3	↙																							
<table style="width:100%; border-collapse: collapse;"> <tr> <td style="width:80%;">Serie</td> <td style="text-align: right;">74.0</td> </tr> <tr> <td>Total</td> <td style="text-align: right;">0.0</td> </tr> </table>		Serie	74.0	Total	0.0																				
Serie	74.0																								
Total	0.0																								

<p>20 Skud</p> 	<table style="width:100%; border-collapse: collapse;"> <tr><td>1:</td><td>10.1</td><td>↗</td></tr> <tr><td>2:</td><td>9.8</td><td>↗</td></tr> <tr><td>3:</td><td>9.2</td><td>↙</td></tr> <tr><td>4:</td><td>*10.5</td><td>↖</td></tr> <tr><td>5:</td><td>9.8</td><td>↗</td></tr> <tr><td>6:</td><td>9.3</td><td>↗</td></tr> <tr><td>7:</td><td>10.1</td><td>↘</td></tr> <tr><td>8:</td><td>9.3</td><td>↗</td></tr> <tr><td>9:</td><td>*10.5</td><td>↘</td></tr> <tr><td>10:</td><td>9.6</td><td>↘</td></tr> </table>	1:	10.1	↗	2:	9.8	↗	3:	9.2	↙	4:	*10.5	↖	5:	9.8	↗	6:	9.3	↗	7:	10.1	↘	8:	9.3	↗	9:	*10.5	↘	10:	9.6	↘
1:	10.1	↗																													
2:	9.8	↗																													
3:	9.2	↙																													
4:	*10.5	↖																													
5:	9.8	↗																													
6:	9.3	↗																													
7:	10.1	↘																													
8:	9.3	↗																													
9:	*10.5	↘																													
10:	9.6	↘																													
<table style="width:100%; border-collapse: collapse;"> <tr> <td style="width:80%;">Serie</td> <td style="text-align: right;">94.0</td> </tr> <tr> <td>Total</td> <td style="text-align: right;">94.0</td> </tr> </table>		Serie	94.0	Total	94.0																										
Serie	94.0																														
Total	94.0																														

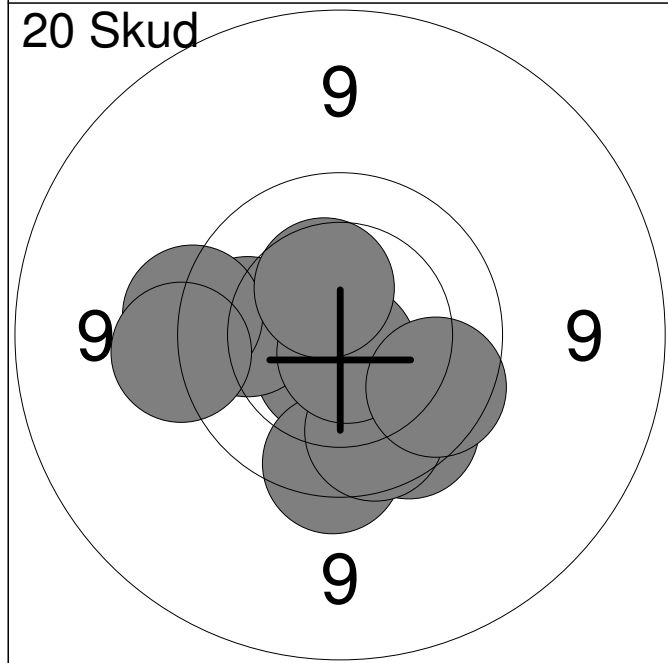
<p>20 Skud</p> 	<table style="width:100%; border-collapse: collapse;"> <tr><td>11:</td><td>9.5</td><td>↗</td></tr> <tr><td>12:</td><td>9.7</td><td>↗</td></tr> <tr><td>13:</td><td>10.5</td><td>↗</td></tr> <tr><td>14:</td><td>9.2</td><td>↗</td></tr> <tr><td>15:</td><td>9.7</td><td>↖</td></tr> <tr><td>16:</td><td>9.6</td><td>↘</td></tr> <tr><td>17:</td><td>10.3</td><td>↘</td></tr> <tr><td>18:</td><td>9.1</td><td>↘</td></tr> <tr><td>19:</td><td>9.7</td><td>↗</td></tr> <tr><td>20:</td><td>9.5</td><td>↘</td></tr> </table>	11:	9.5	↗	12:	9.7	↗	13:	10.5	↗	14:	9.2	↗	15:	9.7	↖	16:	9.6	↘	17:	10.3	↘	18:	9.1	↘	19:	9.7	↗	20:	9.5	↘
11:	9.5	↗																													
12:	9.7	↗																													
13:	10.5	↗																													
14:	9.2	↗																													
15:	9.7	↖																													
16:	9.6	↘																													
17:	10.3	↘																													
18:	9.1	↘																													
19:	9.7	↗																													
20:	9.5	↘																													
<table style="width:100%; border-collapse: collapse;"> <tr> <td style="width:80%;">Serie</td> <td style="text-align: right;">92.0</td> </tr> <tr> <td>Total</td> <td style="text-align: right;">186.0</td> </tr> </table>		Serie	92.0	Total	186.0																										
Serie	92.0																														
Total	186.0																														



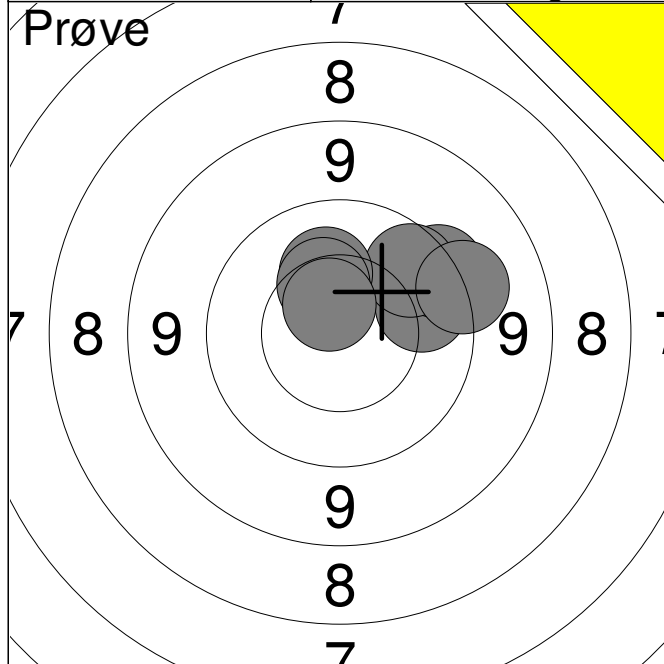
1:	9.7	↓
2:	10.4	↗
3:	9.6	↓
4:	9.7	↖
5:	10.1	↓
6:	9.5	↖
7:	10.4	↖
8:	10.1	↓
9:	10.0	↗
10:	*10.6	↗
Serie		96.0
Total		0.0



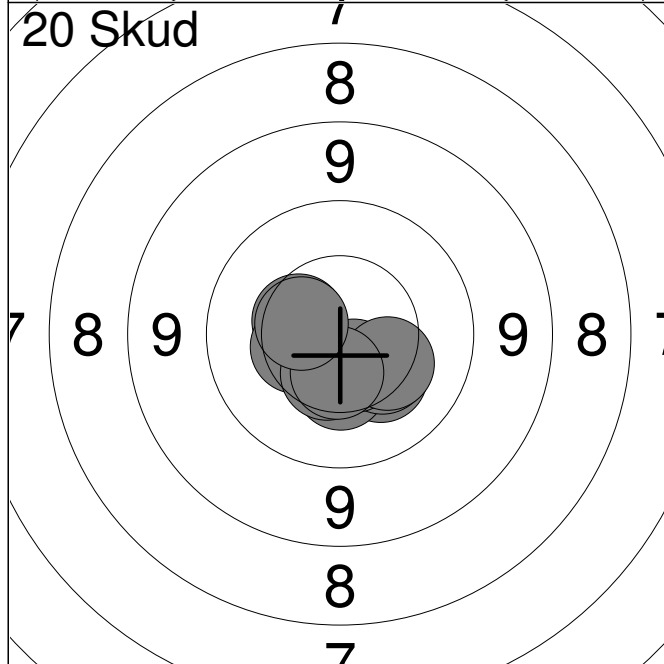
1:	*10.6	↑
2:	10.4	↗
3:	10.4	→
4:	9.5	↗
5:	*10.6	↓
6:	10.2	→
7:	*10.8	→
8:	10.2	↗
9:	9.7	↗
10:	*10.9	↗
Serie		98.0
Total		98.0



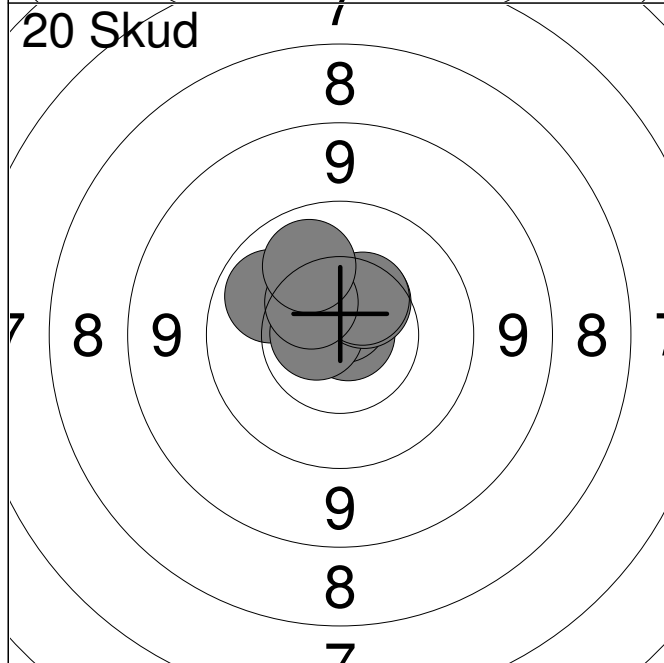
11:	*10.6	↘
12:	9.9	↖
13:	9.8	↓
14:	9.7	↓
15:	9.9	↓
16:	*10.7	↓
17:	9.6	↖
18:	9.5	↖
19:	9.8	↘
20:	10.4	↗
Serie		93.0
Total		191.0



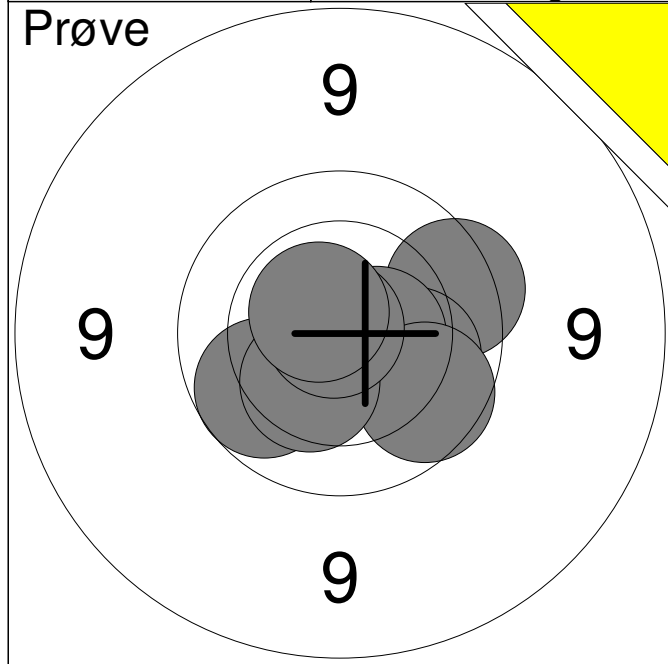
2:	10.0	→
3:	9.6	↗
4:	9.8	↗
5:	9.4	→
6:	10.2	↑
7:	10.3	↑
8:	*10.6	↑
Serie		67.0
Total		0.0



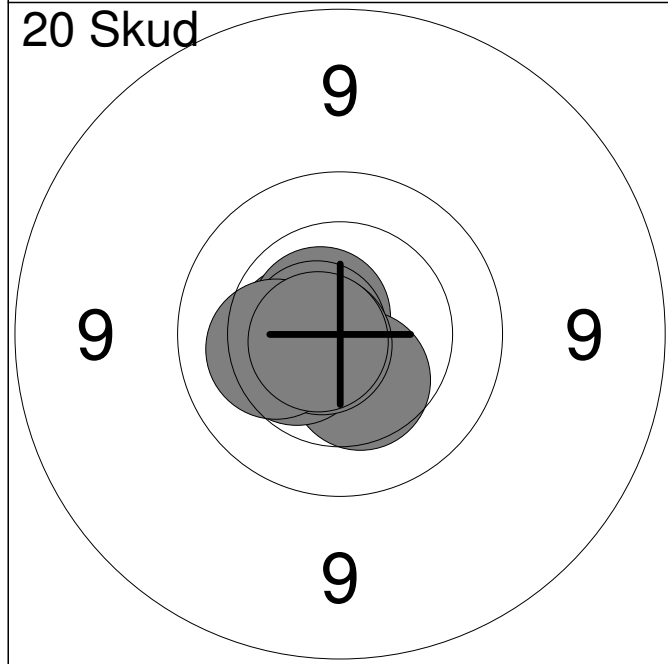
1:	10.3	↘
2:	10.4	↓
3:	10.3	↘
4:	10.4	↖
5:	10.4	←
6:	10.5	↘
7:	10.5	↘
8:	10.3	↘
9:	10.5	↓
10:	10.5	↖
Serie		100.0
Total		100.0



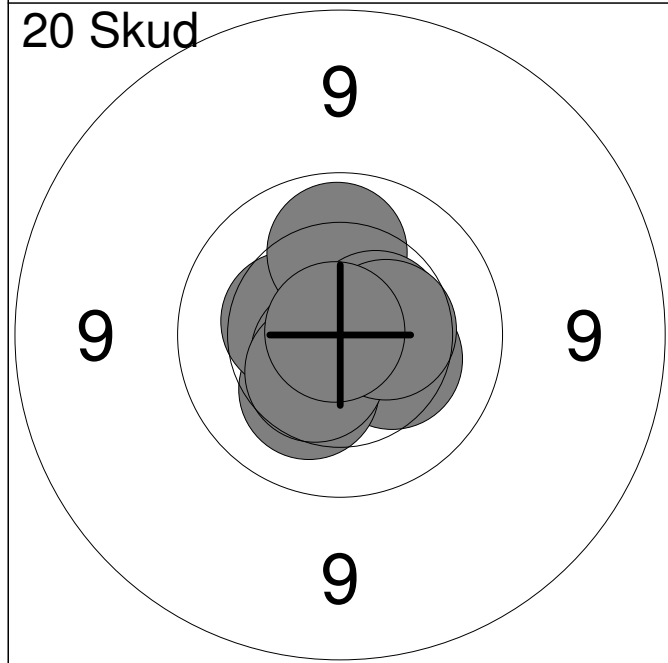
11:	10.6	↑
12:	10.0	↖
13:	*10.9	→
14:	*10.7	↑
15:	10.6	↑
16:	*10.7	←
17:	10.5	↗
18:	10.5	↗
19:	10.4	↗
20:	10.1	↑
Serie		100.0
Total		200.0



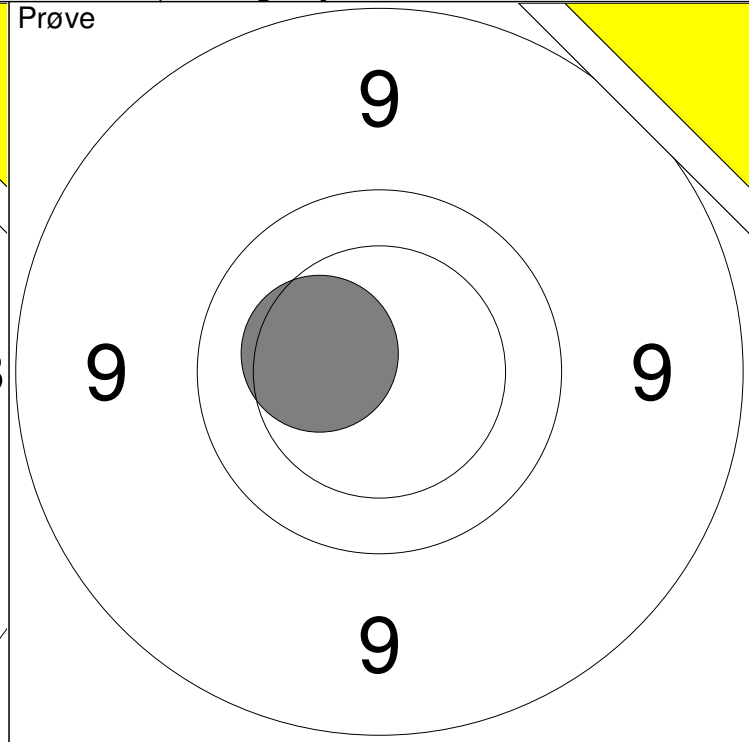
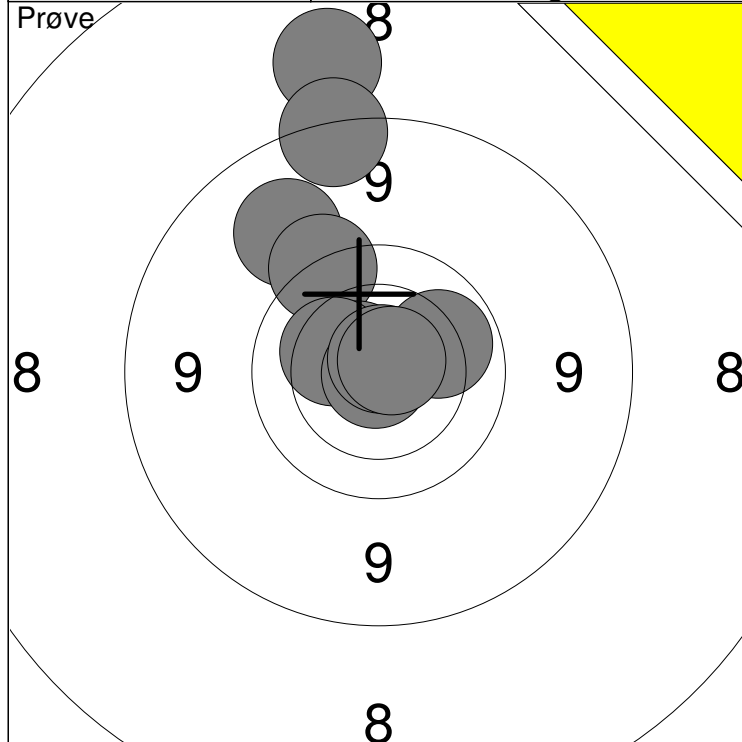
1:	9.8	→
2:	10.3	↘
3:	10.1	↘
4:	*10.6	→
5:	9.9	↙
6:	9.9	↘
7:	10.3	↙
8:	*10.9	↗
9:	*10.6	↗
Serie		87.0
Total		0.0



1:	*10.5	←
2:	*10.7	↗
3:	*10.7	↗
4:	*10.7	↙
5:	10.4	↘
6:	10.4	↙
7:	*10.7	←
8:	*10.7	↙
9:	10.2	←
10:	*10.7	←
Serie		100.0
Total		100.0

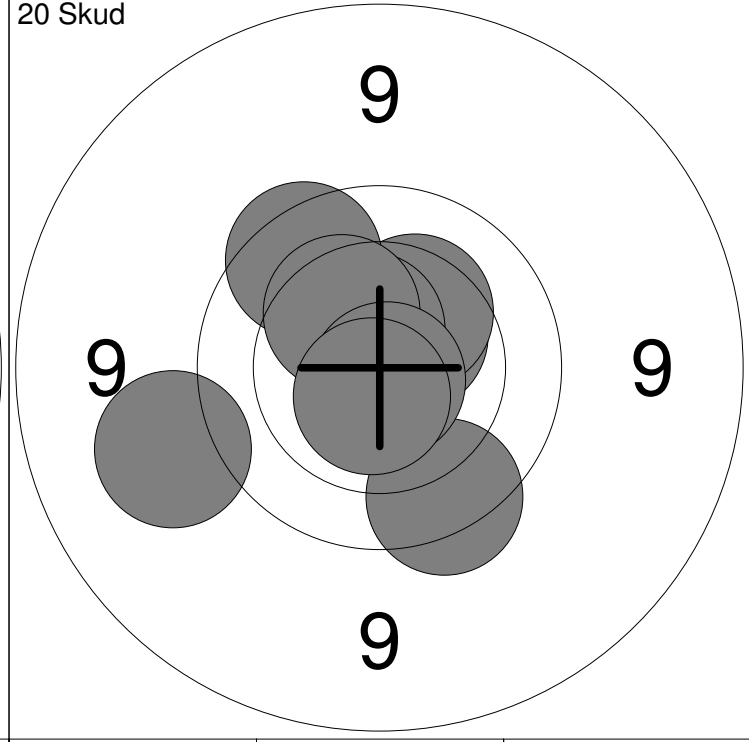
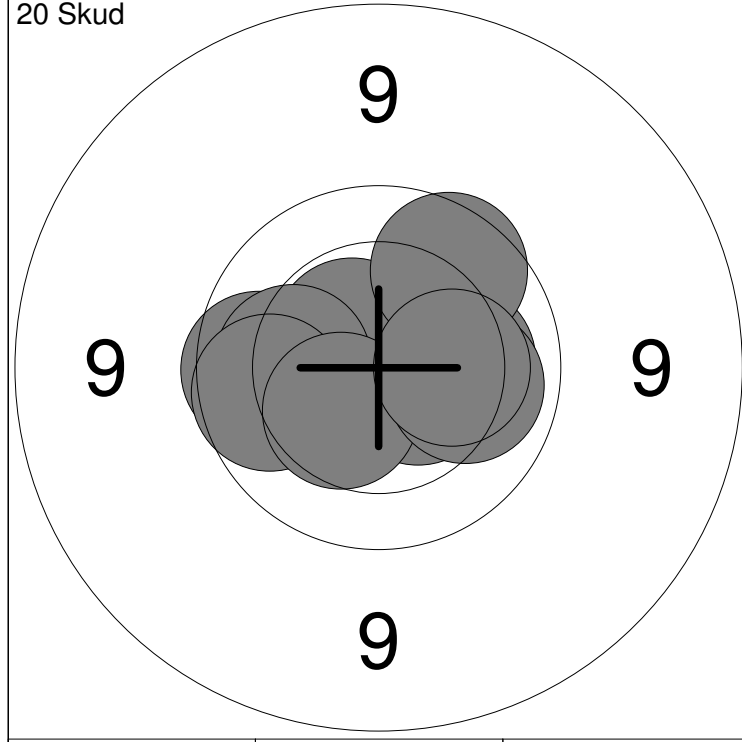


11:	*10.9	←
12:	10.3	→
13:	10.3	↘
14:	10.4	←
15:	10.1	↑
16:	*10.7	↙
17:	10.5	↘
18:	*10.5	→
19:	10.5	→
20:	*10.9	↖
Serie		100.0
Total		200.0



1: 8.4 ↑	6: 10.3 ↙	Serie	94.0
2: 8.7 ↑	7: *10.9 ↘		
3: 9.2 ↗	8: 10.0 →	Total	0.0
4: 9.6 ↗	9: *10.8 ↑		
5: *10.6 ↖	10: *10.7 ↗		

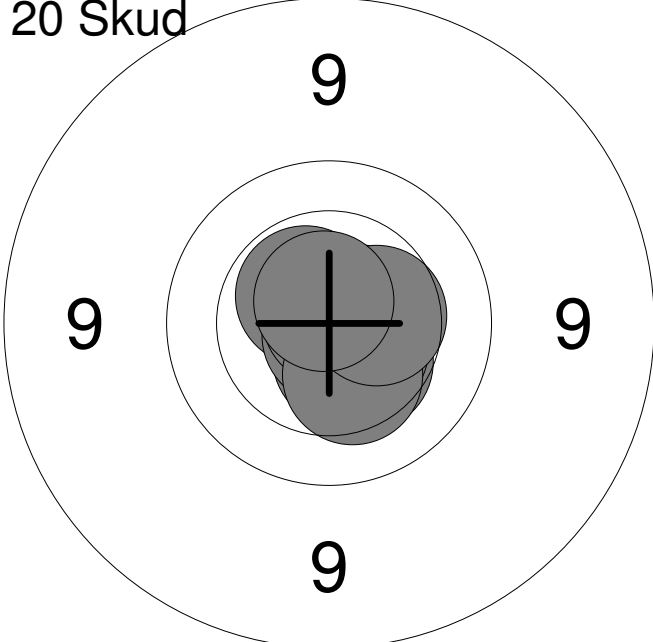
11: 10.3 ↙	Serie	10.0
	Total	0.0

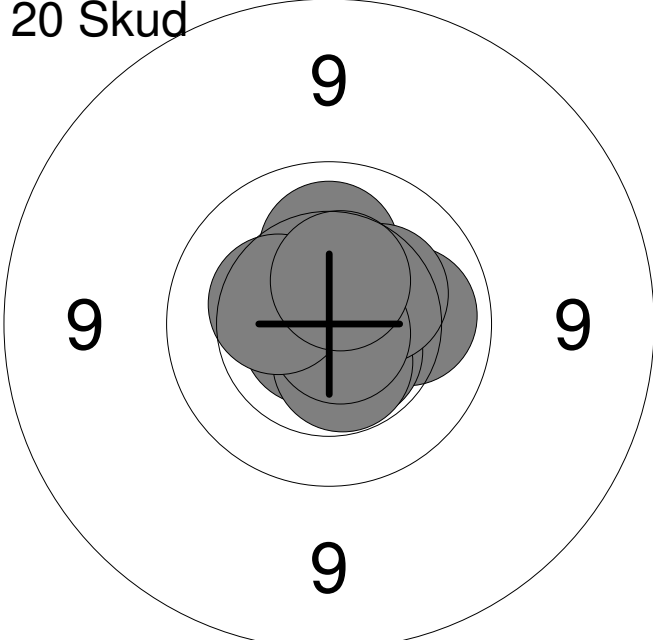


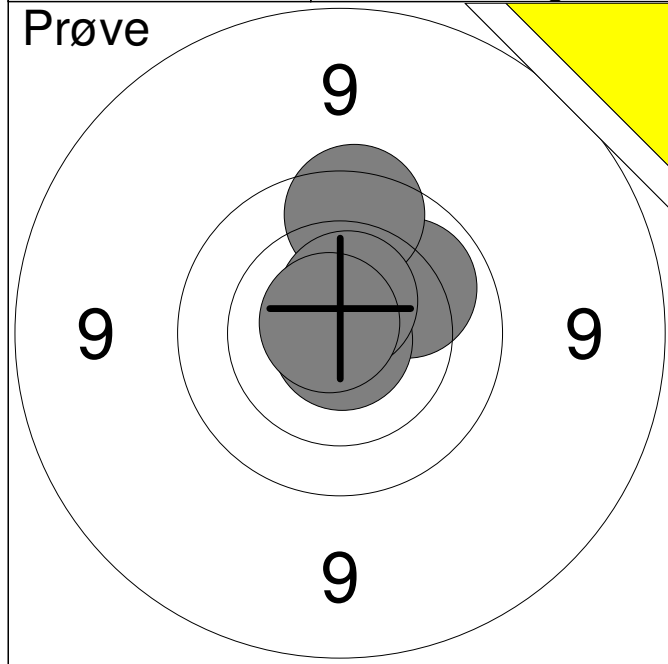
1: *10.5 ↘	6: 10.4 ↙	Serie	97.0
2: *10.6 ↖	7: 10.2 →		
3: 9.9 ←	8: 9.9 ↗	Total	97.0
4: 10.1 ←	9: 10.1 →		
5: 9.9 ←	10: 10.2 →		

11: *10.5 ↗	16: 9.8 ↖	Serie	97.0
12: *10.9 ↗	17: *10.6 ↗		
13: 9.3 ←	18: 10.3 ↖	Total	194.0
14: 10.3 ↗	19: *10.8 ↘		
15: 9.7 ↘	20: *10.7 ↘		

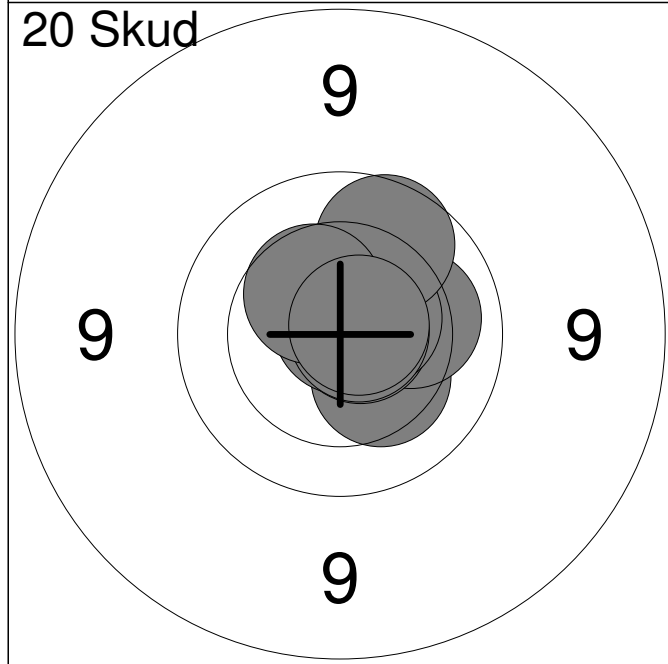
Prøve 	1: 10.2	↑
	2: 10.3	↘
	3: *10.6	↑
	4: *10.7	↖
	5: *10.8	→
Serie	50.0	
Total	0.0	

20 Skud 	1: *10.6	↖
	2: 10.4	↘
	3: *10.6	↘
	4: *10.8	↘
	5: *10.6	→
	6: *10.5	↘
	7: *10.9	↑
	8: 10.3	↘
	9: 10.4	→
	10: *10.7	↑
Serie	100.0	
Total	100.0	

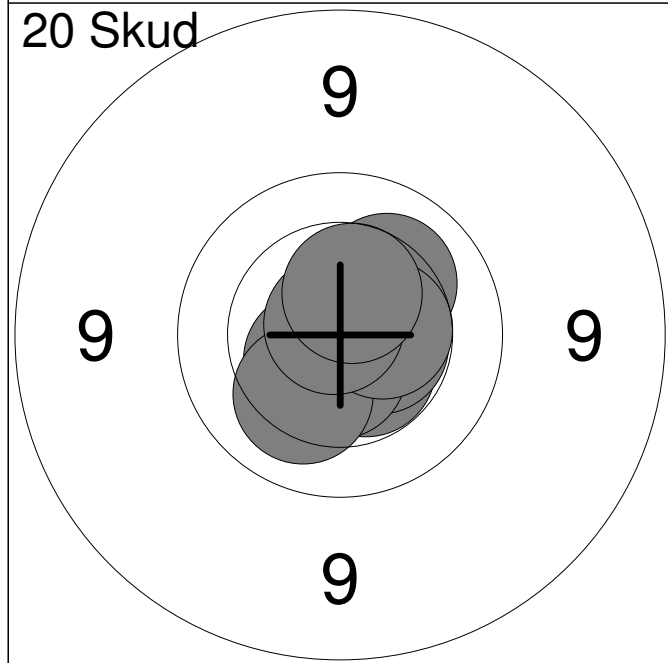
20 Skud 	11: *10.7	↖
	12: 10.1	→
	13: *10.6	↘
	14: 10.2	↑
	15: *10.5	↘
	16: *10.7	↖
	17: 10.3	↗
	18: *10.8	↘
	19: 10.4	↖
	20: 10.5	↑
Serie	100.0	
Total	200.0	



1:	10.1	↗
2:	9.8	↑
3:	*10.9	↓
4:	*10.6	↑
5:	*10.8	↖
Serie		49.0
Total		0.0



1:	10.3	↘
2:	10.2	→
3:	*10.7	→
4:	*10.6	↗
5:	*10.7	↑
6:	9.9	↗
7:	*10.8	↑
8:	*10.7	→
9:	10.4	↖
10:	*10.7	↗
Serie		99.0
Total		99.0

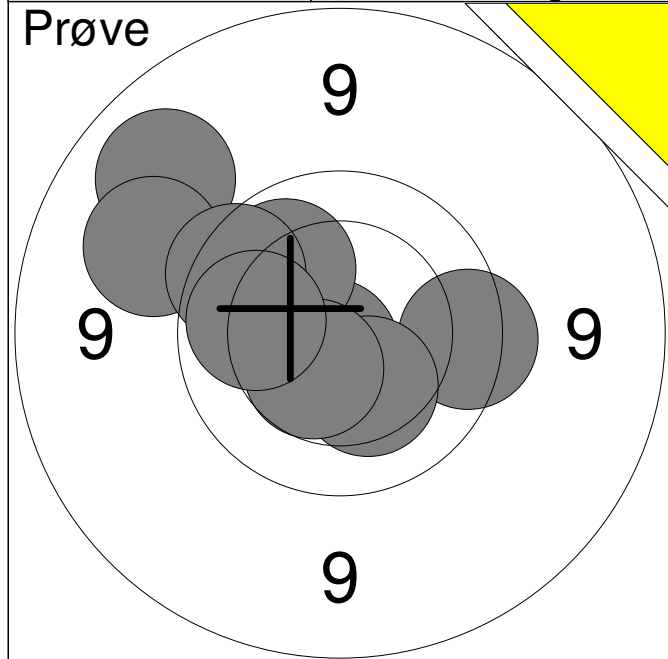


11:	*10.6	↗
12:	*10.5	↘
13:	*10.6	↙
14:	*10.5	→
15:	10.2	↗
16:	*10.6	↓
17:	10.2	↙
18:	10.5	→
19:	*10.8	↖
20:	10.5	↑
Serie		100.0
Total		199.0

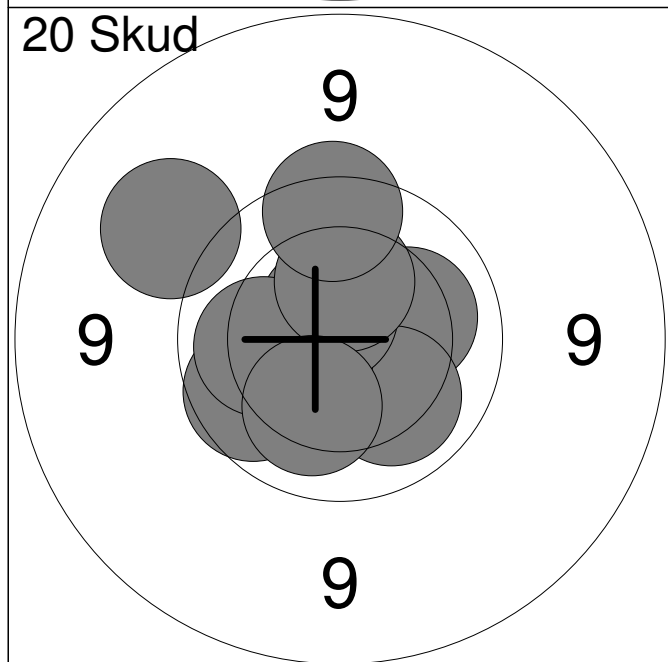
Hold 29	Skive 5	Magnus Dahl
-------------------	-------------------	--------------------

15m	Vester Hassing Skf.	MJ1
-----	---------------------	-----

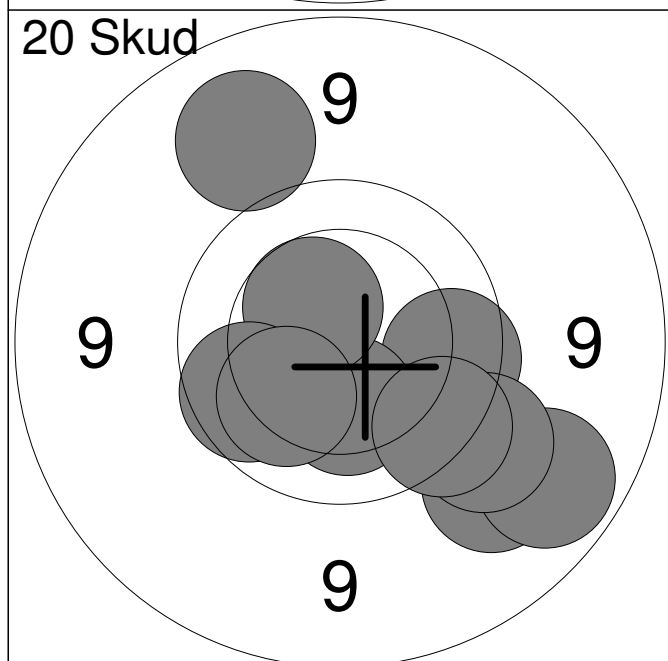
1/3 - 3/3 2013	NM 15 meter Ungdom 2013	Aalborg Skyttekreds
----------------	-------------------------	---------------------



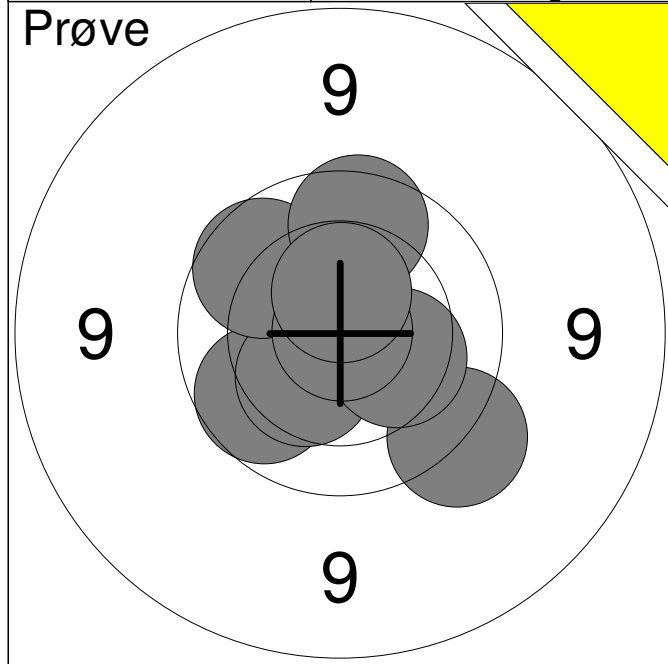
1:	*10.7	↙
2:	9.1	↗
3:	10.0	↗
4:	9.3	↗
5:	9.7	→
6:	10.3	↘
7:	10.5	↙
8:	9.8	↗
9:	10.0	↖
Serie		86.0
Total		0.0



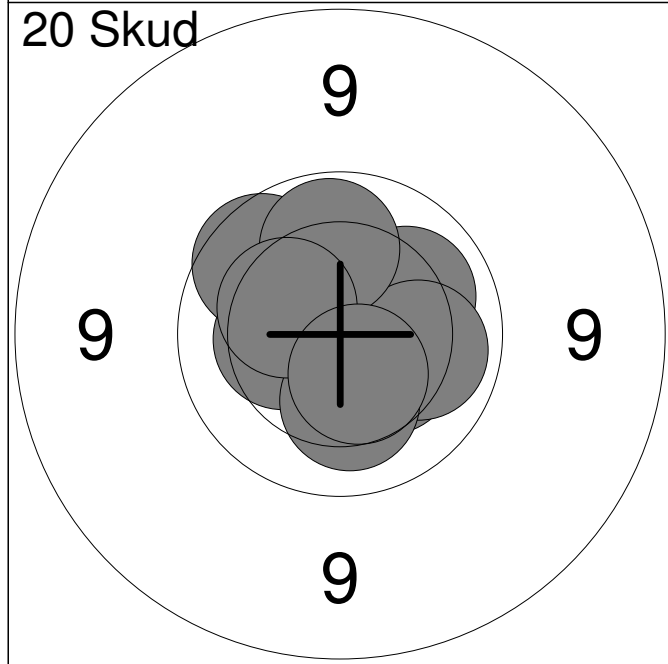
1:	10.2	→
2:	9.9	↙
3:	10.1	↘
4:	*10.5	↙
5:	9.3	↗
6:	*10.6	↗
7:	10.1	←
8:	10.3	↑
9:	10.2	↘
10:	9.7	↑
Serie		97.0
Total		97.0



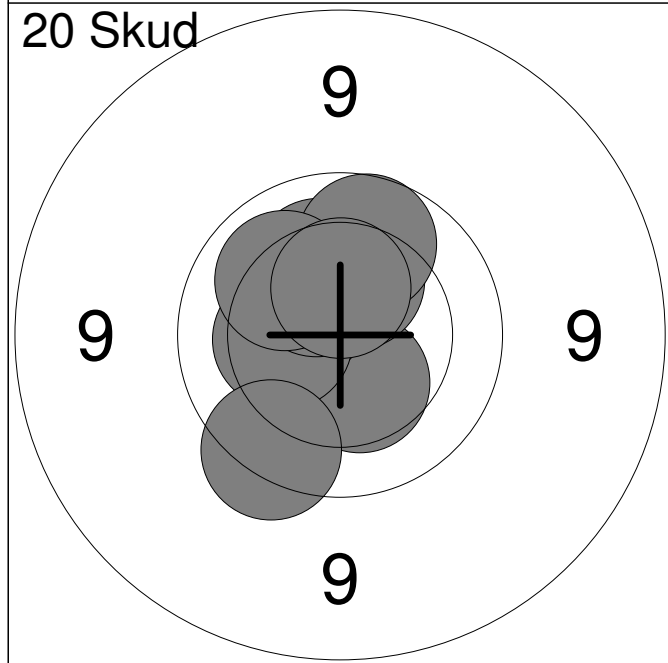
11:	9.3	↘
12:	9.0	↘
13:	9.8	→
14:	10.3	↘
15:	10.5	↗
16:	9.4	↘
17:	9.7	↘
18:	9.9	↙
19:	9.2	↗
20:	10.1	↙
Serie		93.0
Total		190.0



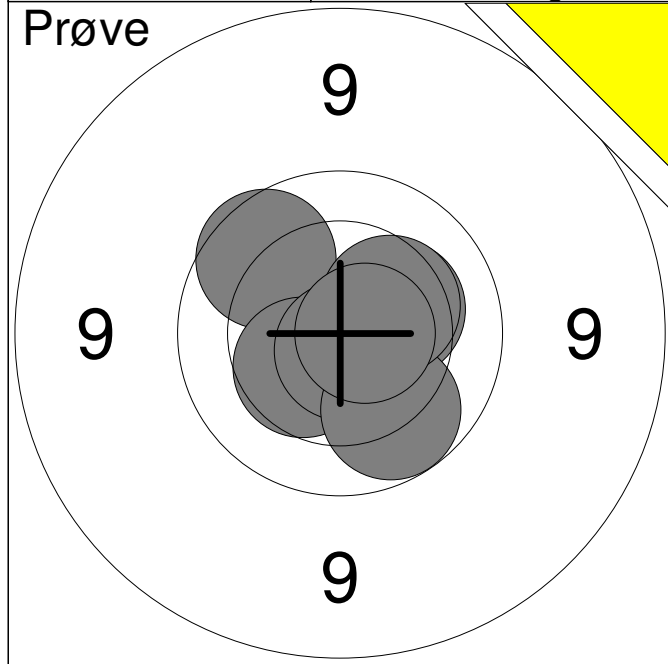
1:	9.6	↘
2:	9.9	↙
3:	*10.7	↙
4:	10.4	↙
5:	10.3	→
6:	9.9	↗
7:	9.8	↑
8:	*10.9	↗
9:	*10.5	↑
Serie		86.0
Total		0.0



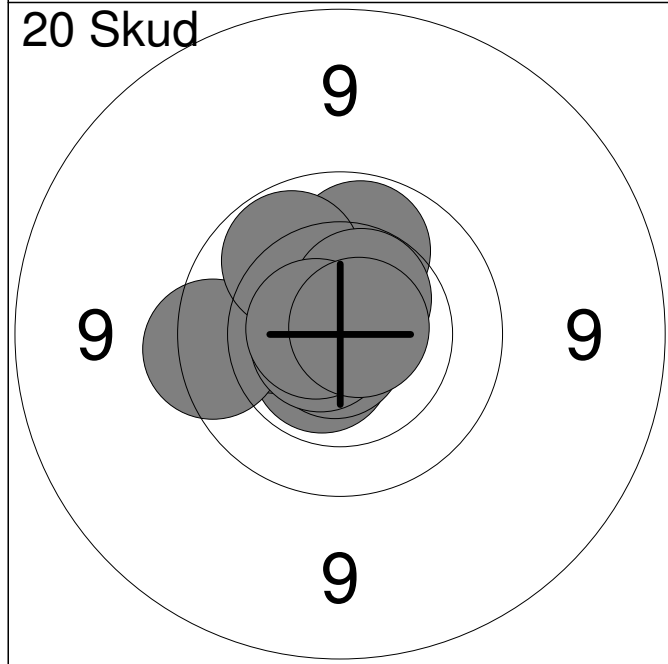
1:	10.3	↘
2:	10.5	↘
3:	10.1	→
4:	10.3	←
5:	9.9	↗
6:	10.1	→
7:	10.0	↑
8:	10.2	↘
9:	10.3	↗
10:	10.5	↘
Serie		99.0
Total		99.0



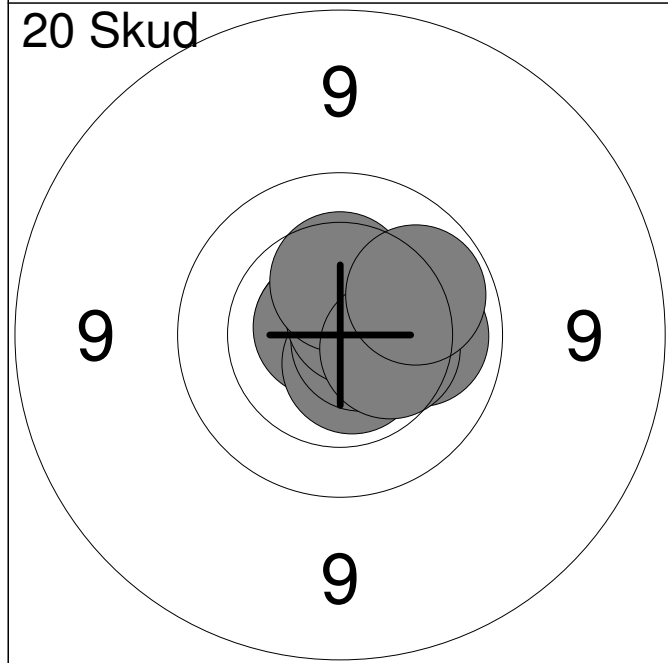
11:	10.4	↘
12:	10.3	↑
13:	10.4	↗
14:	10.3	←
15:	10.4	↗
16:	10.2	↑
17:	9.9	↑
18:	9.7	↙
19:	10.1	↗
20:	10.4	↑
Serie		98.0
Total		197.0



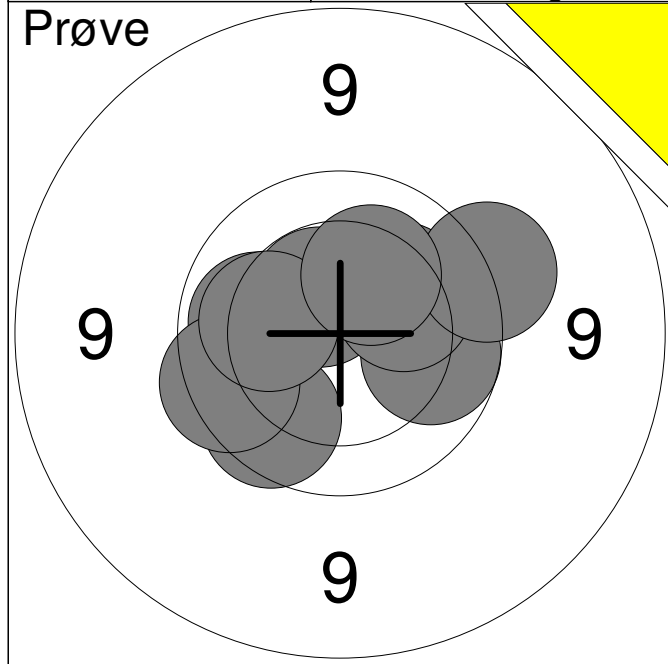
1:	9.9	↗
2:	*10.6	↘
3:	10.4	↙
4:	*10.8	↘
5:	10.3	↗
6:	10.0	↘
7:	10.3	↗
8:	*10.7	→
Serie		79.0
Total		0.0



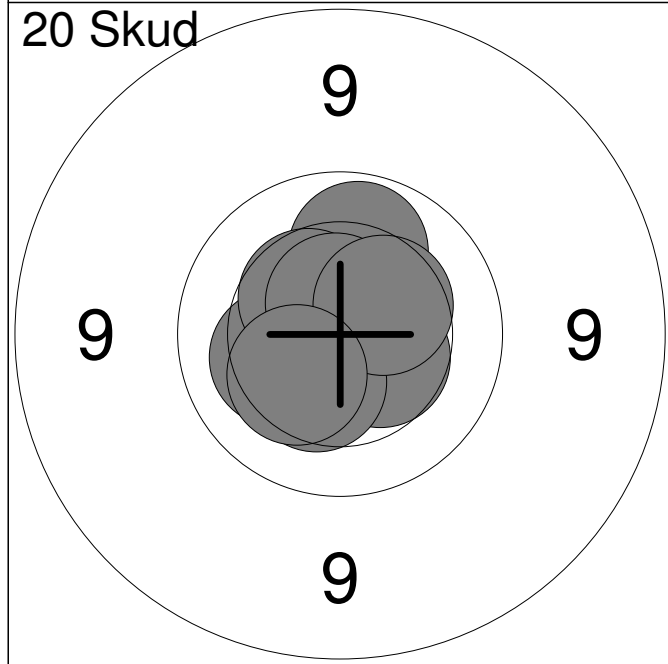
1:	*10.6	↙
2:	10.0	↑
3:	10.3	←
4:	9.7	←
5:	*10.8	↘
6:	10.0	↗
7:	*10.7	←
8:	*10.5	↗
9:	*10.7	←
10:	*10.7	→
Serie		99.0
Total		99.0



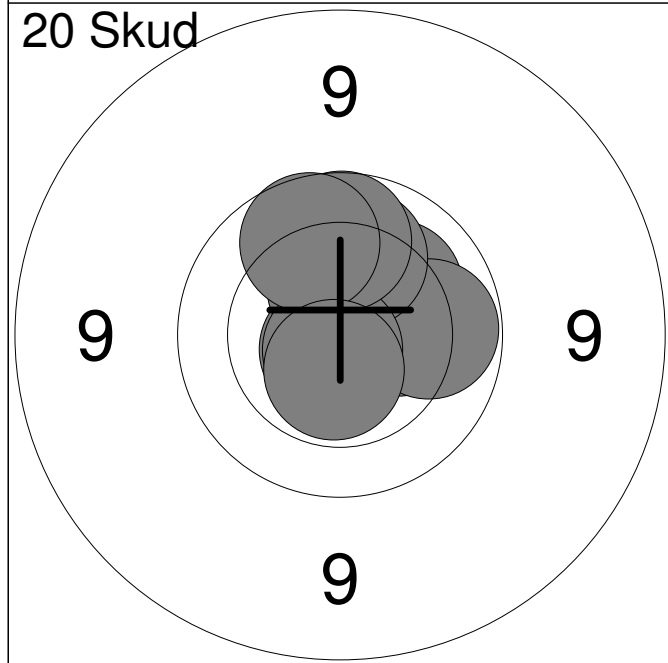
11:	*10.7	↙
12:	*10.9	↗
13:	*10.8	←
14:	*10.6	↘
15:	10.1	→
16:	*10.7	→
17:	*10.7	↗
18:	10.4	↑
19:	10.4	→
20:	10.0	↗
Serie		100.0
Total		199.0



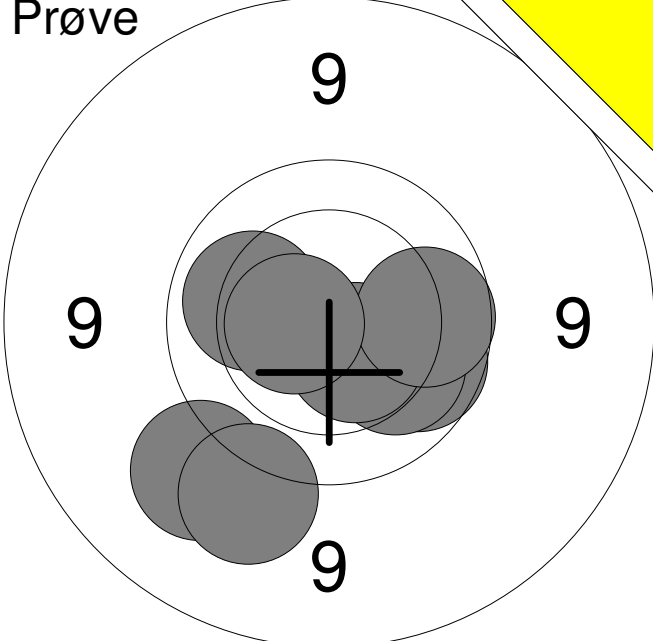
1:	9.9	→
2:	*10.5	↗
3:	10.1	←
4:	10.2	↗
5:	9.8	↘
6:	9.8	←
7:	10.2	↗
8:	10.2	←
9:	9.5	↗
10:	10.2	↗
Serie		96.0
Total		0.0

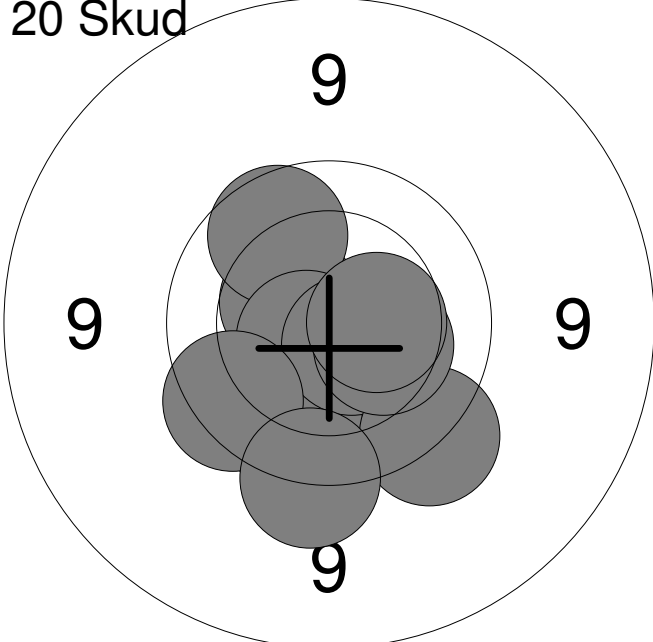


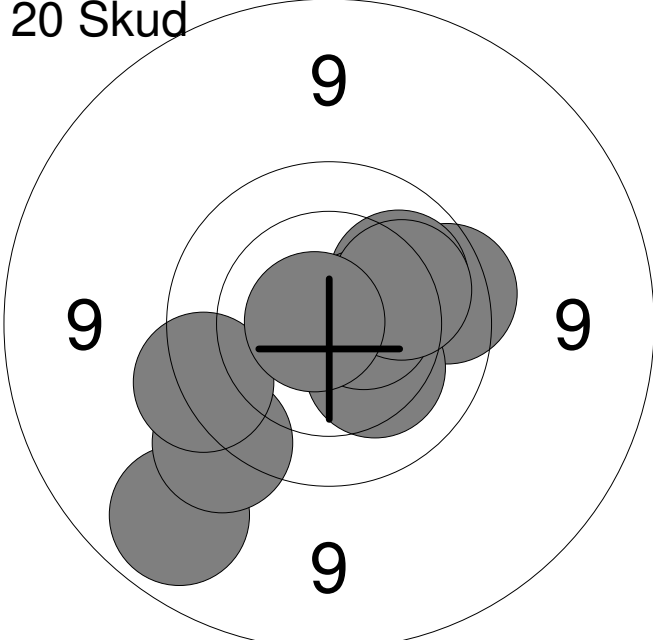
1:	*10.7	↗
2:	*10.6	↗
3:	10.0	↑
4:	10.4	→
5:	10.2	←
6:	10.4	↗
7:	*10.6	↑
8:	10.4	↘
9:	10.4	↗
10:	10.3	↘
Serie		100.0
Total		100.0

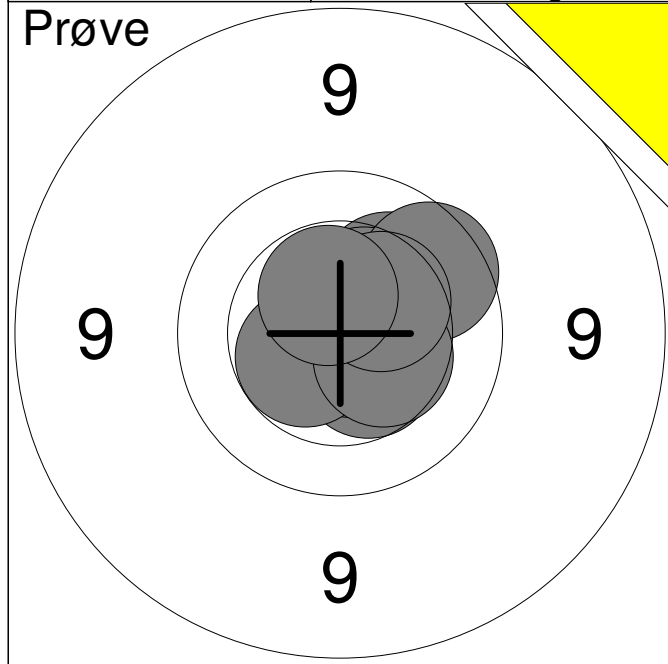


11:	10.3	→
12:	10.2	↗
13:	*10.8	↘
14:	10.4	↑
15:	10.0	→
16:	10.1	↑
17:	*10.8	↘
18:	9.9	↑
19:	9.9	↗
20:	*10.6	↘
Serie		98.0
Total		198.0

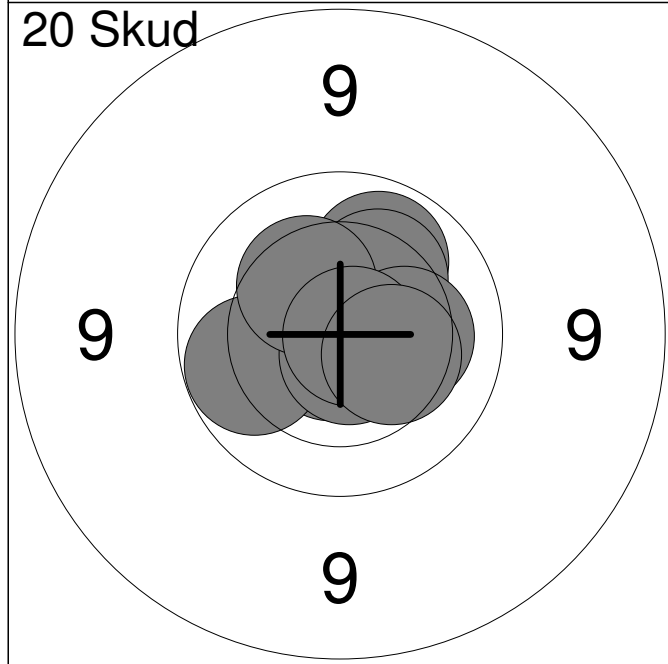
Prøve 	1:	9.9	↘	
	2:	10.1	↘	
	3:	9.3	↙	
	4:	10.1	↖	
	5:	*10.5	↘	
	6:	9.9	→	
	7:	9.4	↙	
	8:	*10.6	←	
	Serie		76.0	
	Total		0.0	

20 Skud 	1:	10.5	↗
	2:	9.9	↘
	3:	9.9	↗
	4:	*10.6	↙
	5:	*10.6	↘
	6:	9.6	↘
	7:	9.8	↙
	8:	10.3	→
	9:	9.6	↘
	10:	10.4	→
Serie		95.0	
Total		95.0	

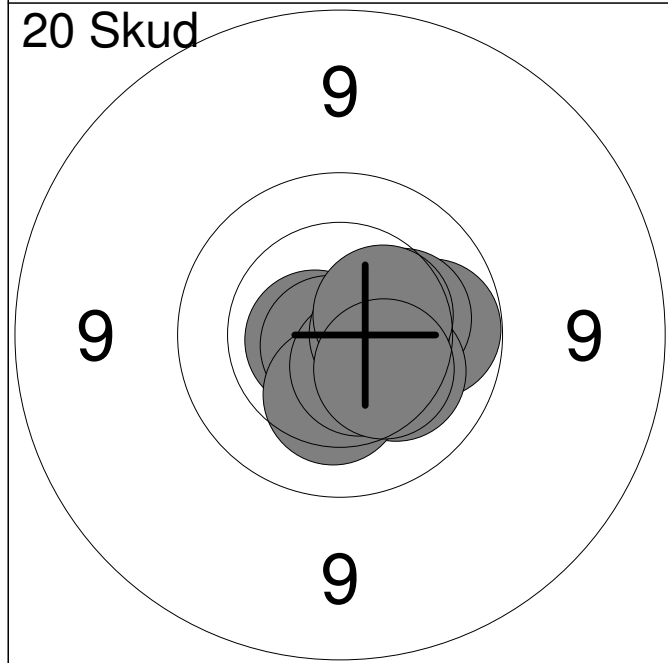
20 Skud 	11:	9.0	↙
	12:	10.1	↗
	13:	9.8	→
	14:	10.1	↗
	15:	10.3	↘
	16:	9.5	↙
	17:	*10.6	→
	18:	9.7	↙
	19:	10.1	↗
	20:	*10.8	←
Serie		96.0	
Total		191.0	



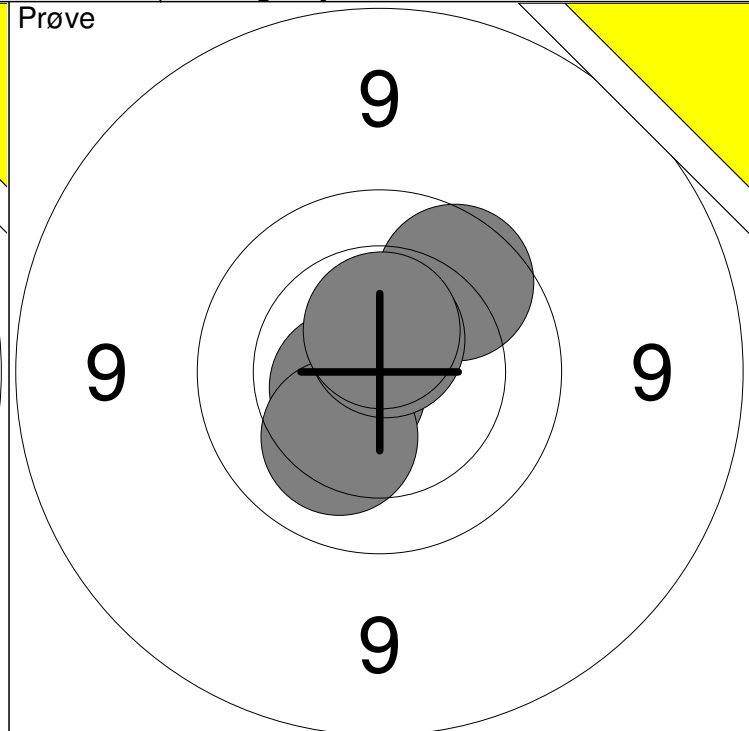
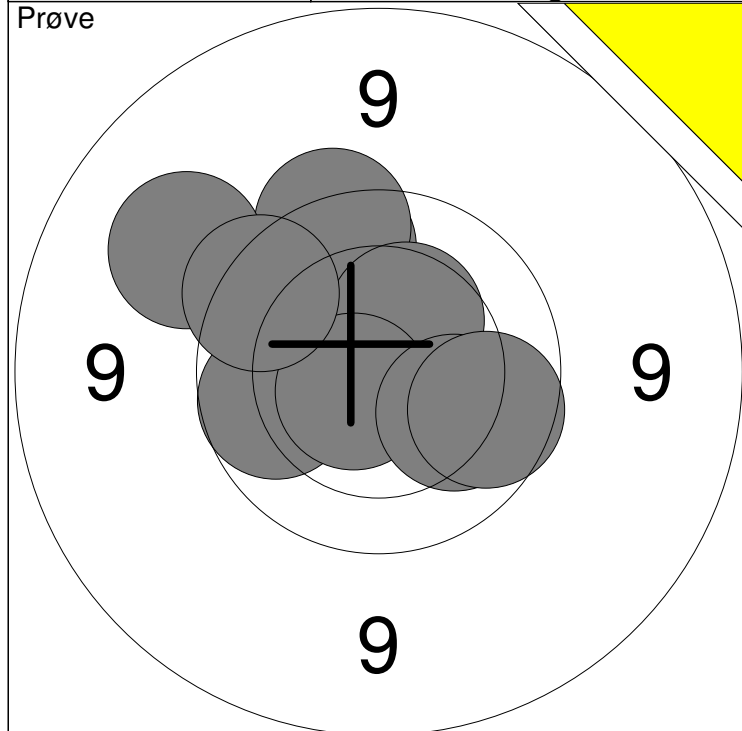
1:	*10.8	↓
2:	10.2	↗
3:	10.5	↓
4:	10.5	↗
5:	*10.7	↓
6:	*10.5	↙
7:	9.9	↗
8:	10.4	↘
9:	10.4	↗
10:	*10.5	↑
Serie		99.0
Total		0.0



1:	*10.7	↓
2:	*10.8	→
3:	10.1	↗
4:	10.0	←
5:	*10.7	↓
6:	10.2	↗
7:	10.3	→
8:	10.3	↗
9:	*10.8	→
10:	10.4	→
Serie		100.0
Total		100.0

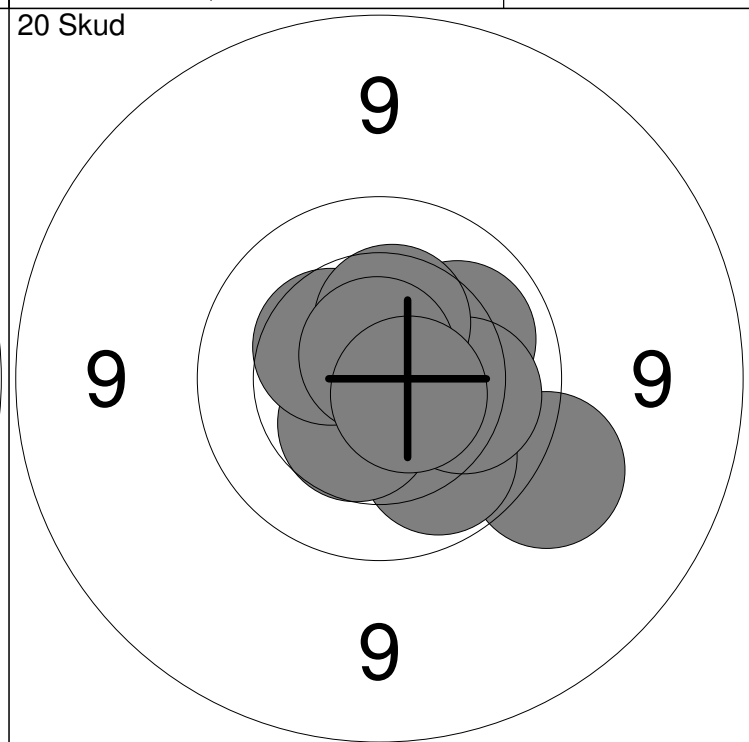
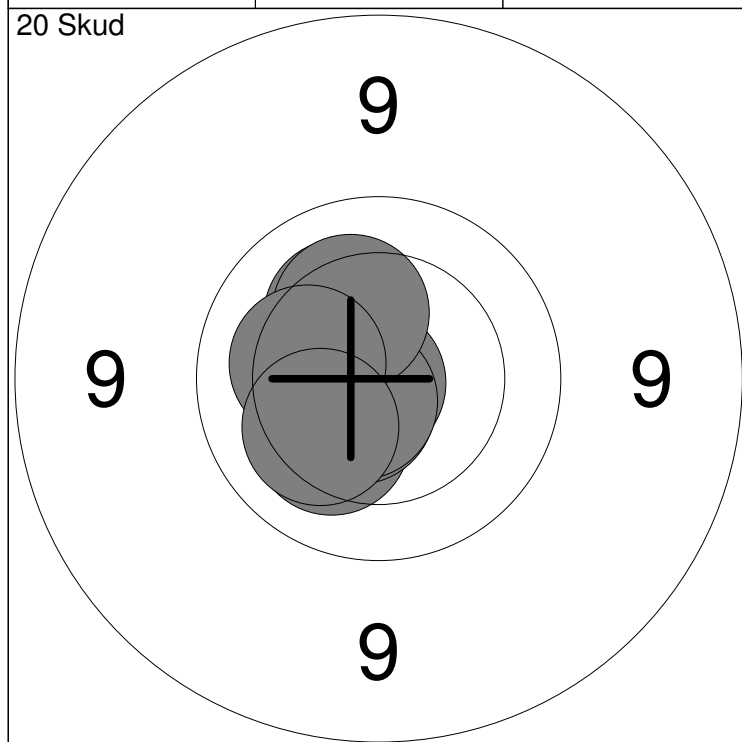


11:	10.0	→
12:	*10.7	←
13:	*10.8	↙
14:	10.3	→
15:	10.2	↘
16:	10.3	↓
17:	*10.6	↓
18:	*10.5	→
19:	10.4	↗
20:	10.3	↘
Serie		100.0
Total		200.0



1: 9.8 ↗	6: 10.4 ↗	Serie 94.0
2: 9.7 ↗	7: *10.6 ↙	
3: 9.3 ↖	8: 10.1 ↘	Total 0.0
4: 9.9 ←	9: 9.9 →	
5: *10.8 ↙	10: 9.7 ↖	

11: 9.9 ↗	Serie 49.0
12: *10.6 ↙	
13: 10.2 ↘	Total 0.0
14: *10.6 ↗	
15: *10.5 ↗	



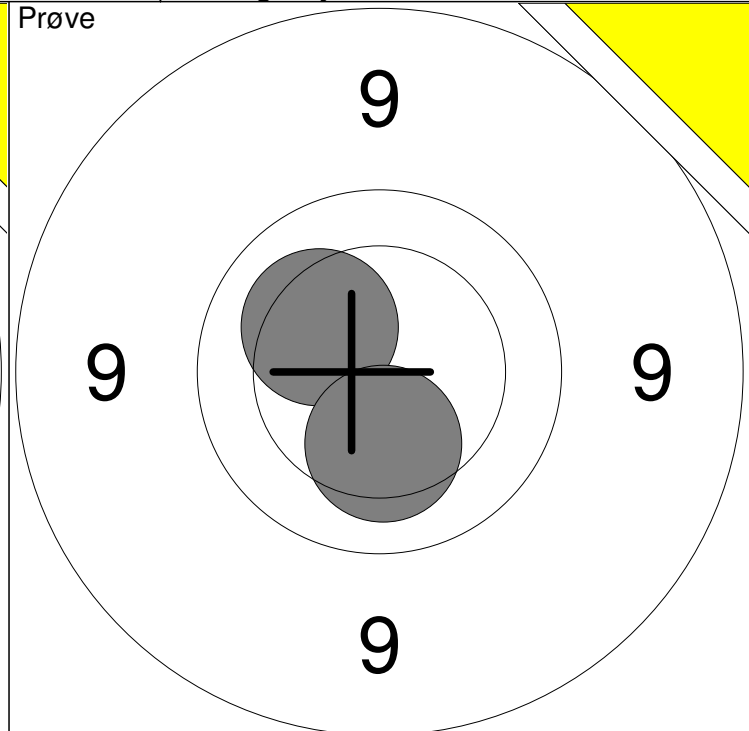
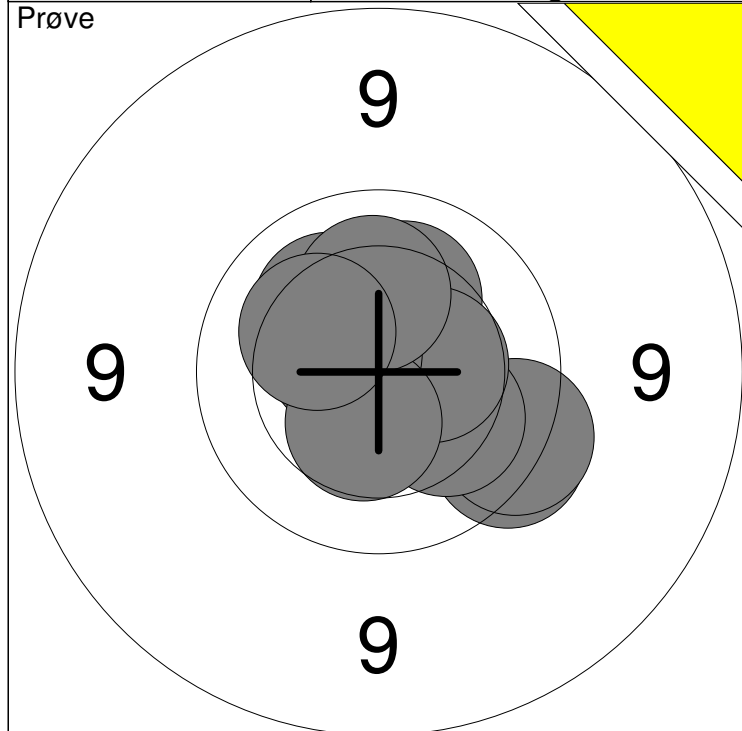
1: *10.8 ↙	6: *10.6 ↙	Serie 100.0
2: 10.2 ↘	7: *10.7 ↙	
3: *10.6 ↙	8: 10.3 ↗	Total 100.0
4: *10.8 ↙	9: 10.3 ←	
5: 10.3 ↗	10: 10.2 ↙	

11: 9.5 ↘	16: 10.4 ↖	Serie 99.0
12: *10.5 ↘	17: 10.1 →	
13: 10.0 ↘	18: 10.4 ↗	Total 199.0
14: 10.1 ↗	19: *10.7 ↗	
15: 10.5 ↘	20: *10.6 ↘	

Hold 30	Skive 1	Emil L. Nielsen		
-------------------	-------------------	------------------------	--	--

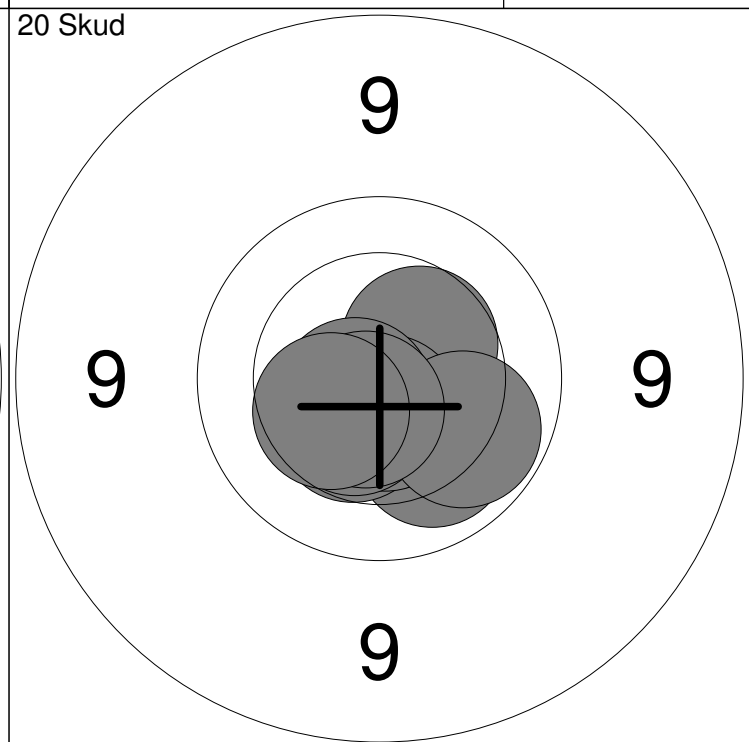
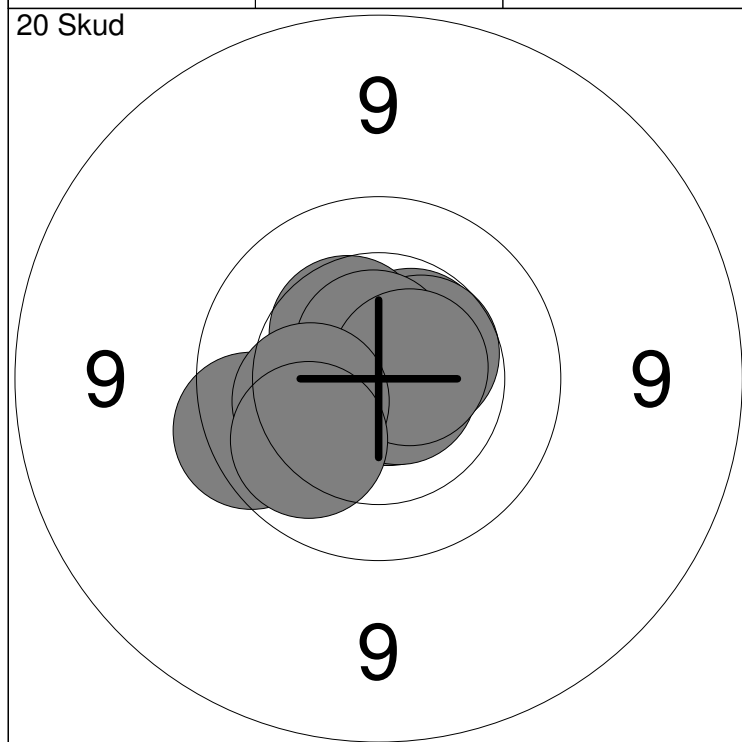
15m	Vester Hassing Skf.	BK1	
-----	---------------------	-----	--

1/3 - 3/3 2013	NM 15 meter Ungdom 2013	Aalborg Skyttekreds	
----------------	-------------------------	---------------------	--



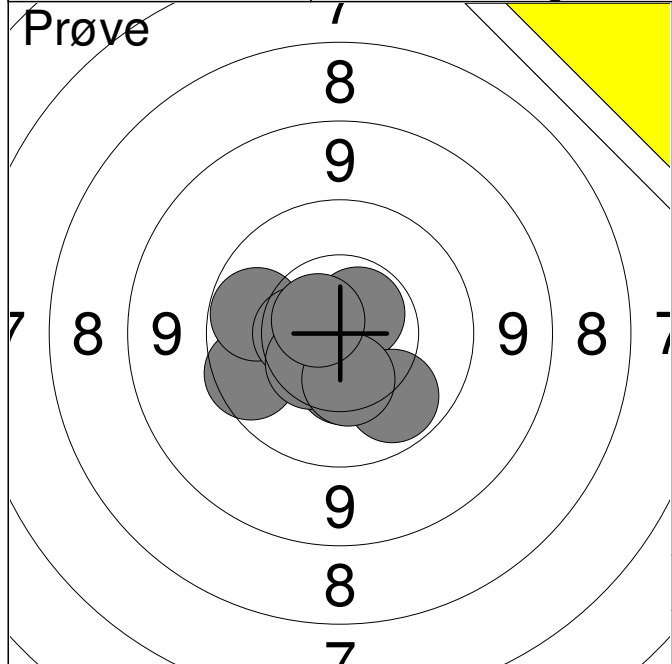
1: 10.2 ↗	6: *10.6 ↖	Serie	98.0
2: 9.7 ↘	7: 10.4 ↘		
3: 9.7 ↘	8: 10.2 ↖	Total	0.0
4: 10.2 ↘	9: 10.2 ↗		
5: 10.5 →	10: 10.2 ↖		

11: 10.2 ↖	Serie	20.0
12: 10.3 ↘		
Total		0.0

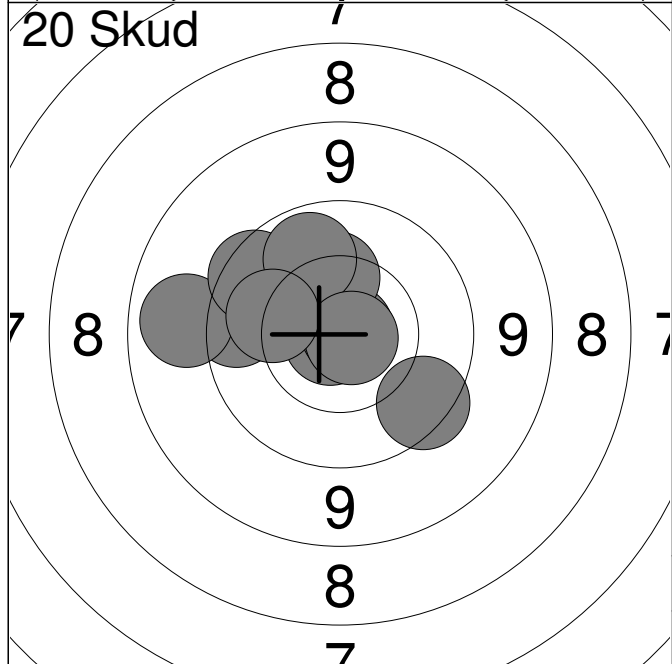


1: *10.5 ↗	6: *10.7 →	Serie	99.0
2: 10.5 ↗	7: *10.7 ↗		
3: 10.4 ↖	8: *10.6 →	Total	99.0
4: 9.8 ←	9: 10.3 ←		
5: *10.8 ↘	10: 10.1 ↘		

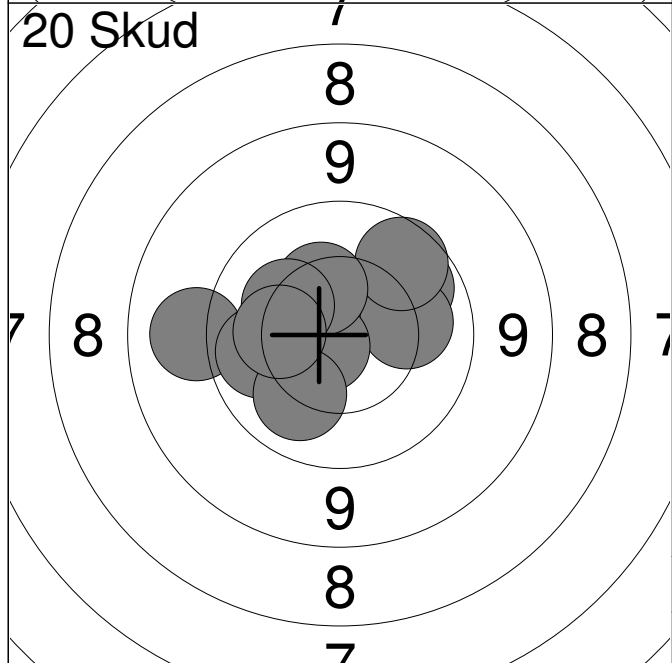
11: 10.1 ↘	16: *10.7 ↖	Serie	100.0
12: *10.6 ↘	17: *10.5 ↘		
13: 10.4 ↗	18: 10.0 ↘	Total	199.0
14: 10.4 ↘	19: *10.6 ↘		
15: *10.6 ↘	20: 10.4 ↖		



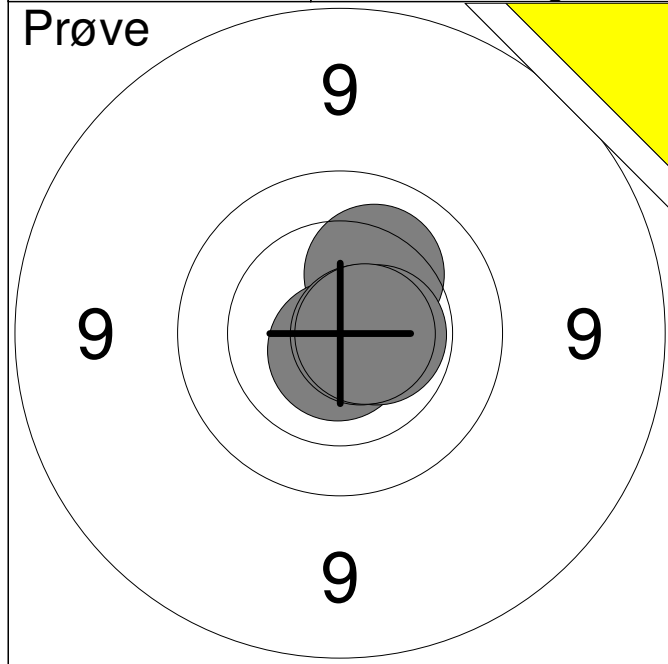
1:	*10.8	↓
2:	10.4	↓
3:	*10.6	↗
4:	9.8	↖
5:	10.0	←
6:	10.5	←
7:	10.5	↙
8:	10.0	↓
9:	10.4	↓
10:	*10.7	↗
Serie		99.0
Total		0.0



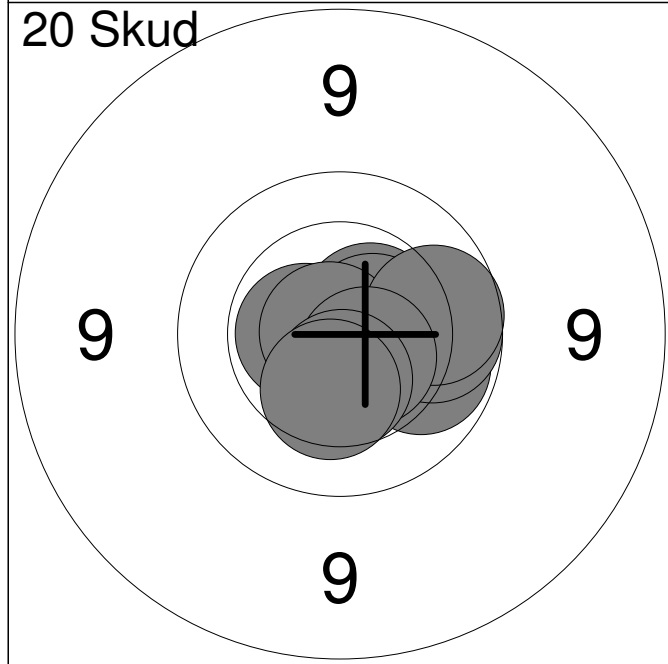
1:	*10.8	↖
2:	9.7	←
3:	9.1	←
4:	9.7	↗
5:	9.7	↓
6:	*10.9	↗
7:	10.3	↑
8:	10.0	↑
9:	*10.8	→
10:	10.1	←
Serie		96.0
Total		96.0



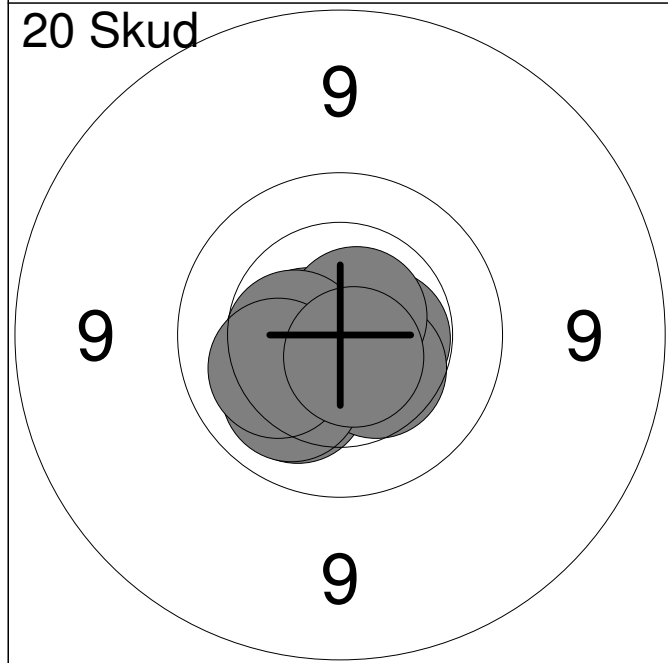
11:	10.0	↗
12:	10.2	→
13:	9.9	↗
14:	9.2	←
15:	*10.7	↙
16:	10.4	↑
17:	10.0	←
18:	10.1	↙
19:	10.3	↗
20:	10.2	←
Serie		98.0
Total		194.0



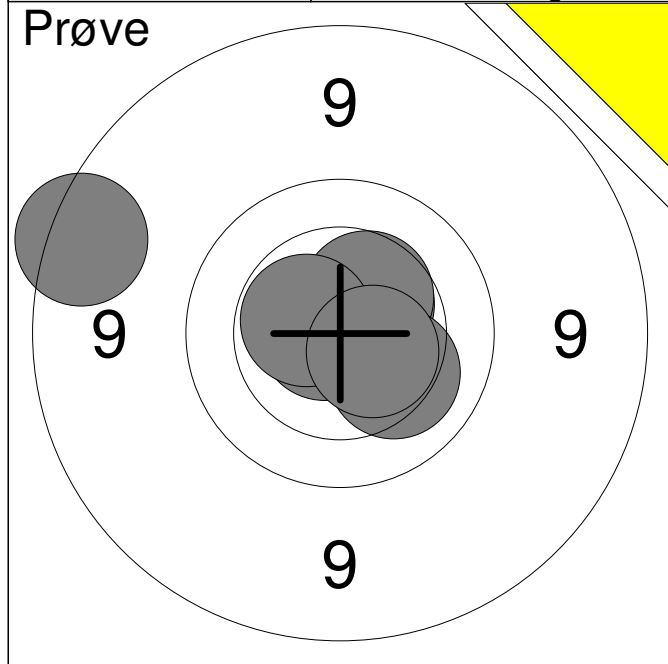
1:	10.2	↗
2:	*10.8	↓
3:	*10.6	→
4:	*10.7	→
5:	*10.7	→
Serie		50.0
Total		0.0



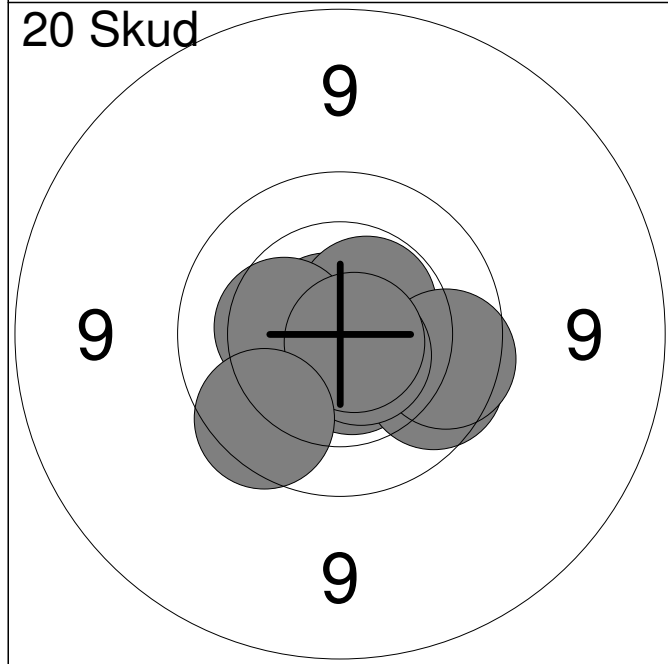
1:	*10.6	↗
2:	*10.6	→
3:	10.0	→
4:	10.0	→
5:	*10.6	←
6:	*10.8	←
7:	9.9	→
8:	*10.6	↘
9:	10.5	↓
10:	10.3	↓
Serie		99.0
Total		99.0



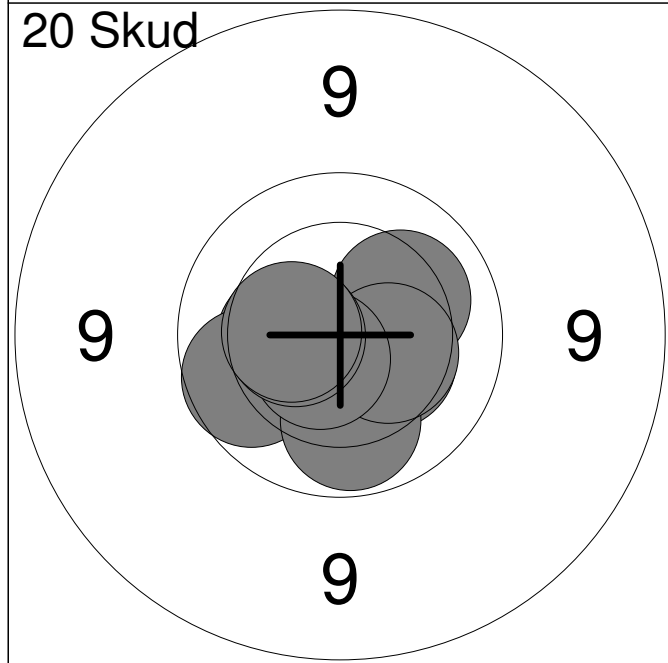
11:	*10.6	←
12:	10.2	↙
13:	*10.5	→
14:	10.4	↘
15:	*10.7	←
16:	10.1	↙
17:	*10.7	↗
18:	10.5	←
19:	10.2	↙
20:	*10.7	↘
Serie		100.0
Total		199.0



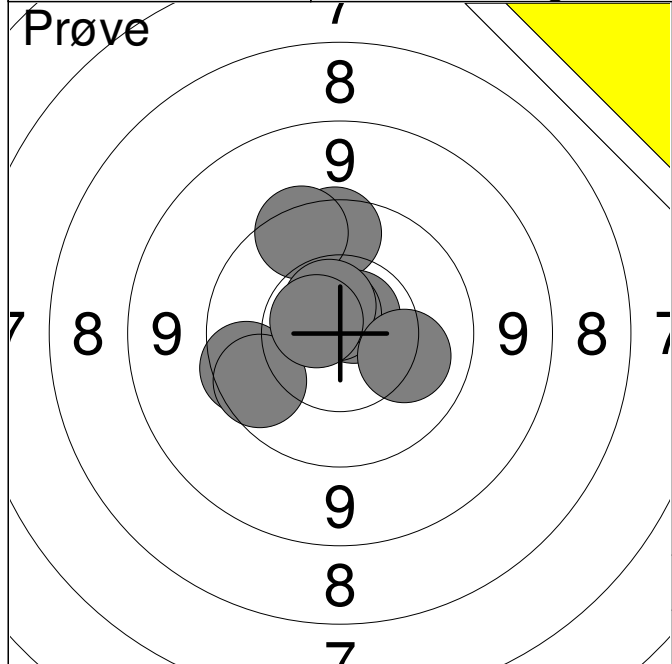
1:	8.8	↖
2:	*10.5	↗
3:	*10.8	↖
4:	10.4	↗
5:	*10.5	↖
6:	10.2	↘
7:	*10.5	↘
Serie		68.0
Total		0.0



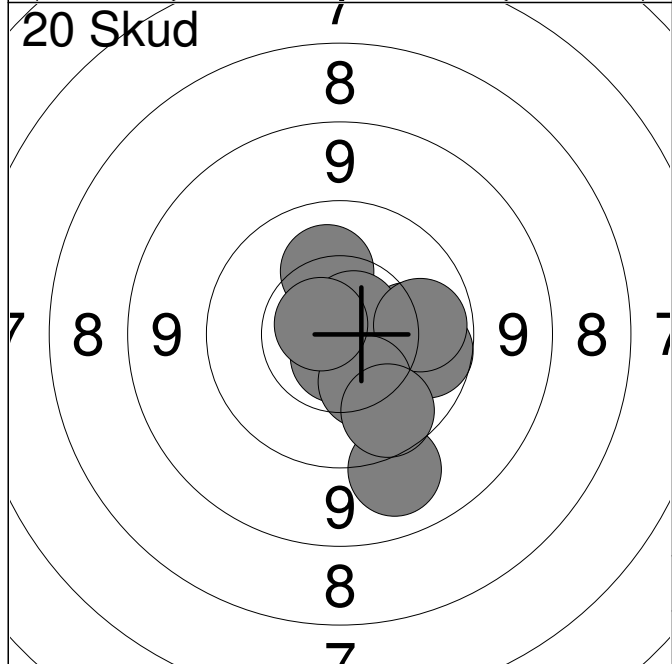
1:	10.5	↗
2:	*10.8	↗
3:	*10.6	↘
4:	9.9	↘
5:	*10.5	↗
6:	9.9	→
7:	10.3	↖
8:	*10.6	↘
9:	*10.8	↘
10:	9.8	↙
Serie		97.0
Total		97.0



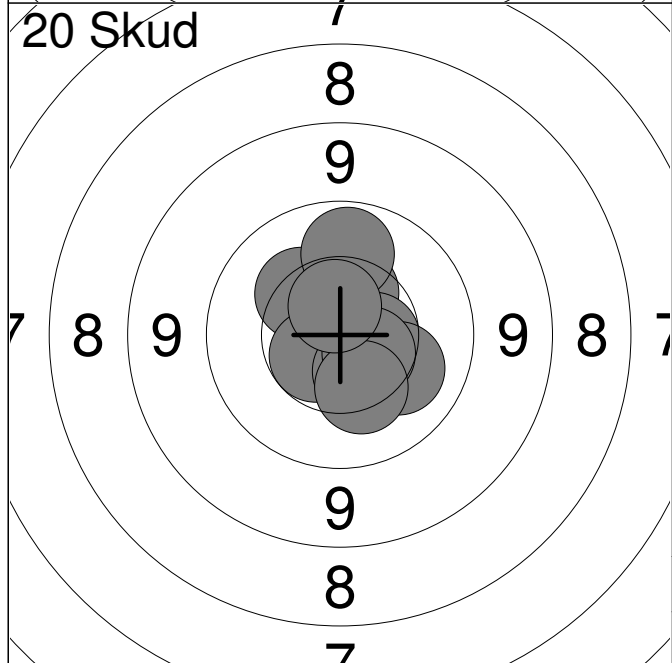
11:	*10.6	↘
12:	10.4	↘
13:	10.4	↖
14:	9.9	↖
15:	10.0	↘
16:	10.2	↗
17:	10.4	→
18:	*10.6	↙
19:	10.5	↖
20:	10.4	↖
Serie		99.0
Total		196.0



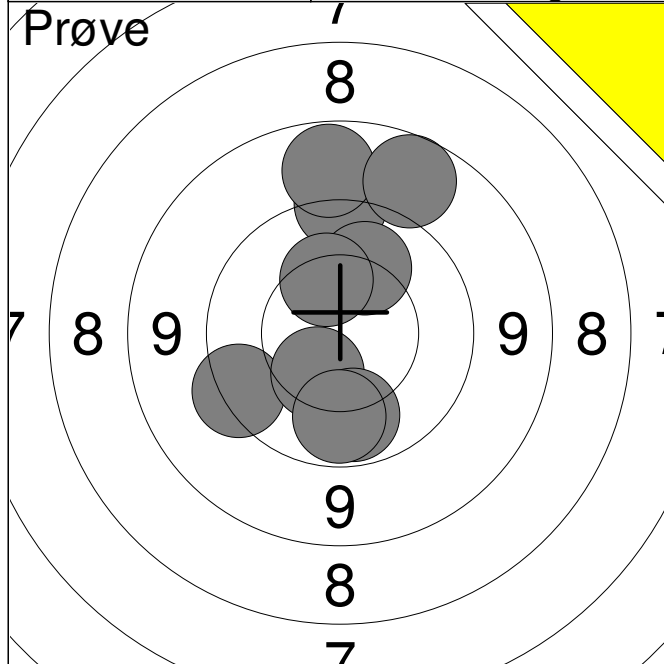
1:	9.8	←
2:	9.9	←
3:	9.8	↑
4:	9.7	↑
5:	*10.7	↗
6:	*10.7	↑
7:	*10.6	↗
8:	*10.6	↗
9:	10.2	→
Serie		86.0
Total		0.0



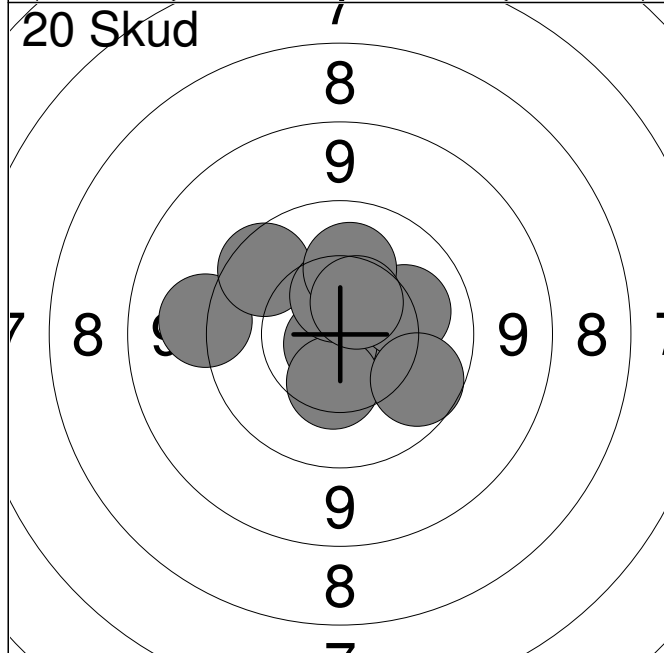
1:	*10.7	↓
2:	10.2	→
3:	9.9	→
4:	10.2	↑
5:	9.2	↓
6:	*10.7	↗
7:	10.0	→
8:	10.3	↓
9:	*10.7	↗
10:	9.9	↓
Serie		97.0
Total		97.0



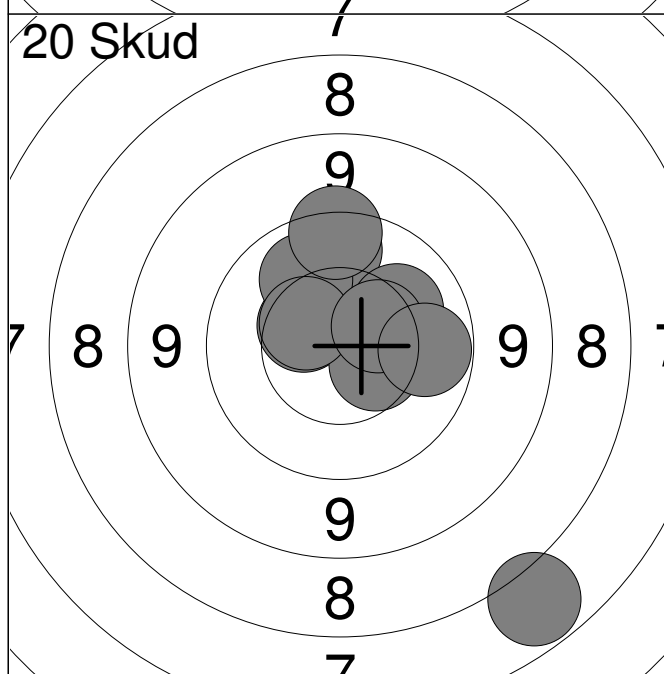
11:	10.3	↗
12:	10.4	↑
13:	10.6	←
14:	10.5	↓
15:	10.0	↑
16:	10.6	→
17:	10.2	↘
18:	10.6	↘
19:	10.3	↓
20:	*10.6	↑
Serie		100.0
Total		197.0



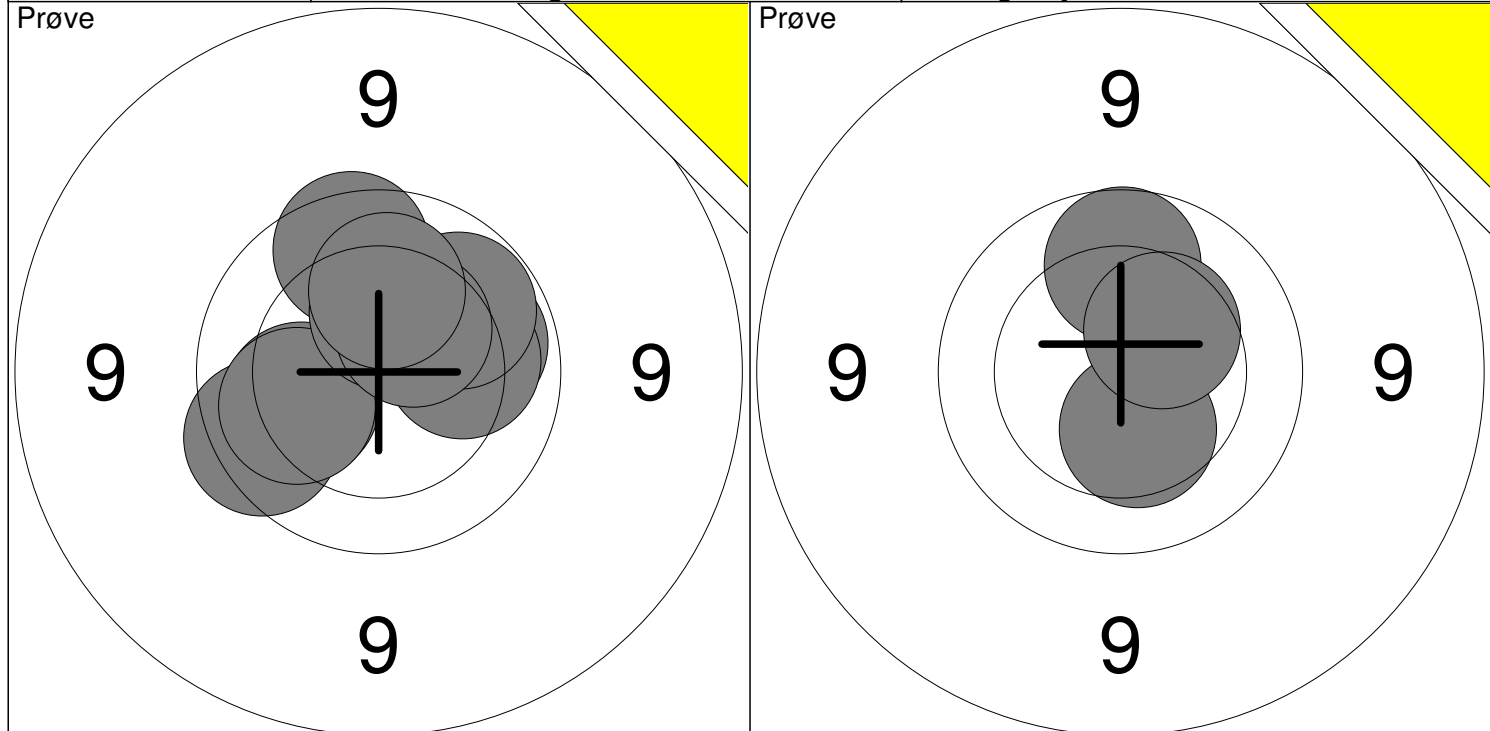
1:	9.6	↖
2:	9.4	↑
3:	10.4	↙
4:	9.0	↑
5:	10.0	↓
6:	10.0	↓
7:	8.9	↗
8:	10.1	↗
9:	10.3	↑
Serie		85.0
Total		0.0



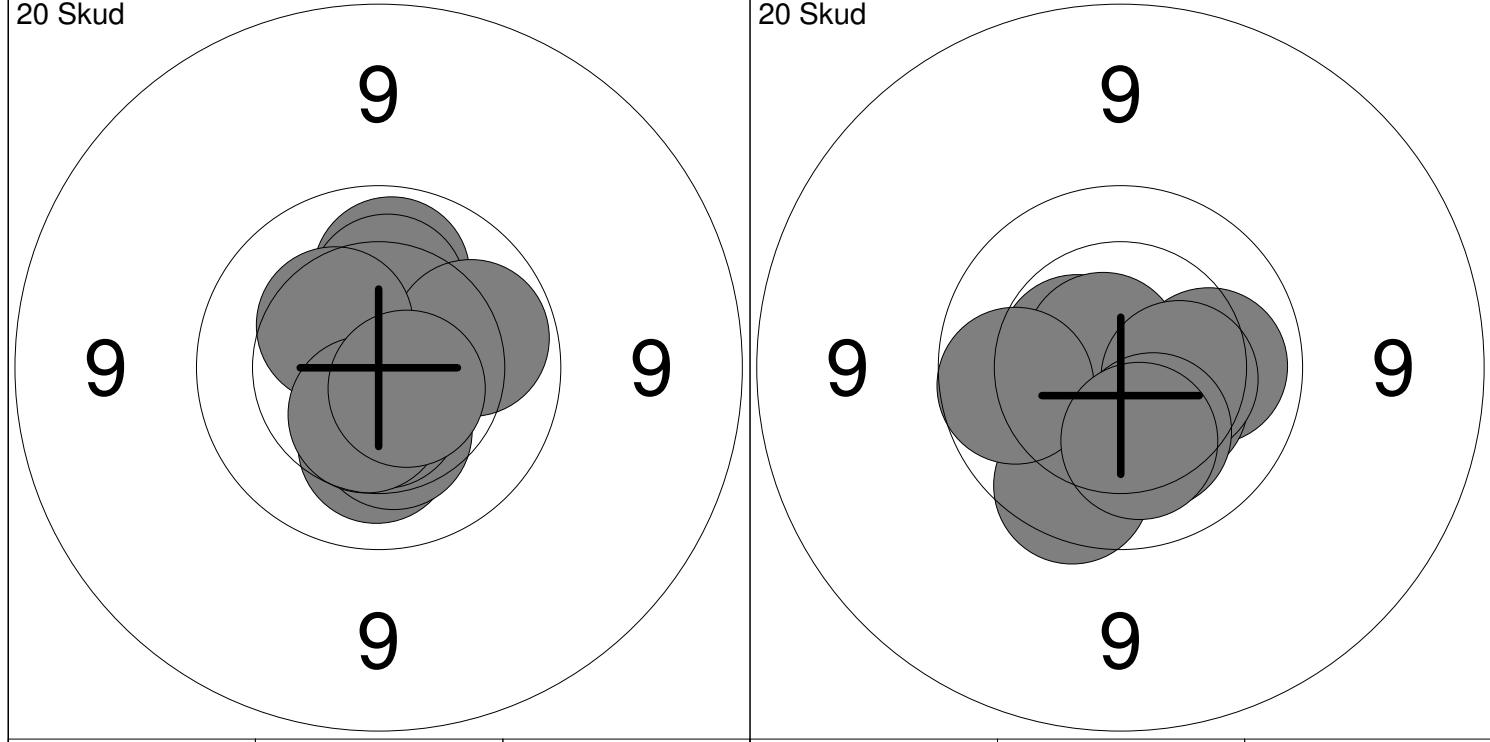
1:	9.3	←
2:	*10.6	↓
3:	*10.8	↙
4:	10.4	↓
5:	9.8	↗
6:	10.2	→
7:	10.5	↑
8:	9.9	↘
9:	10.2	↑
10:	10.5	↗
Serie		97.0
Total		97.0



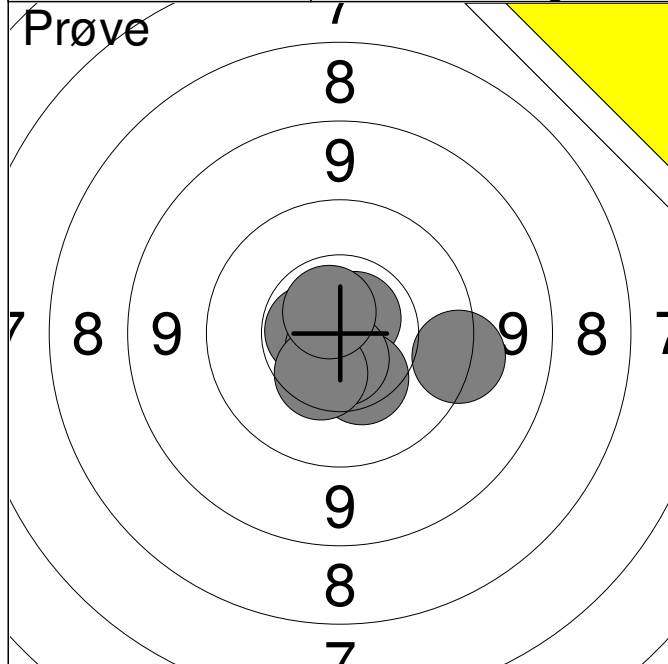
11:	9.8	↑
12:	10.5	↗
13:	10.5	↘
14:	10.1	↑
15:	10.5	↗
16:	10.2	↗
17:	9.6	↑
18:	7.0	↓
19:	10.5	↗
20:	10.0	→
Serie		95.0
Total		192.0



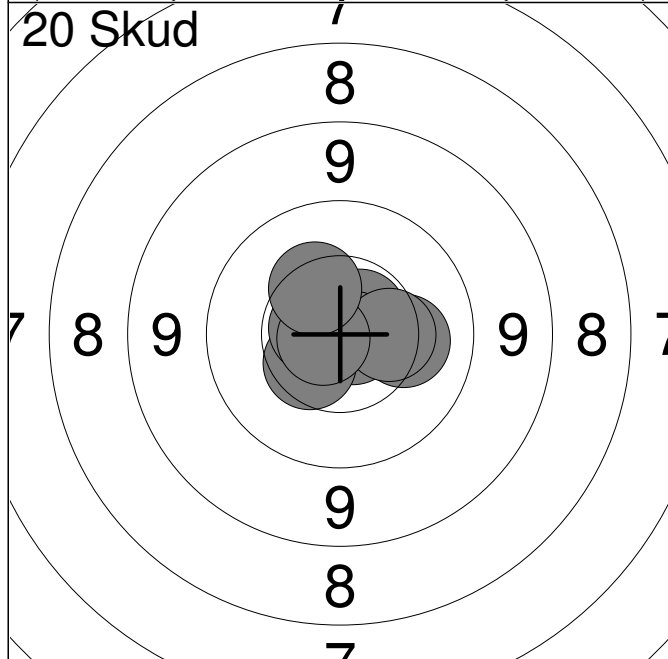
1: 9.8 ↙	6: 10.4 ↑	Serie	98.0	11: 9.9 ↑	Serie	29.0
2: 10.2 ↙	7: 10.1 →			12: 10.4 ↓		
3: 9.8 ↑	8: 10.0 ↗	Total	0.0	13: 10.4 ↗	Total	0.0
4: 10.1 ↙	9: 10.4 ↗			5: 10.0 →		



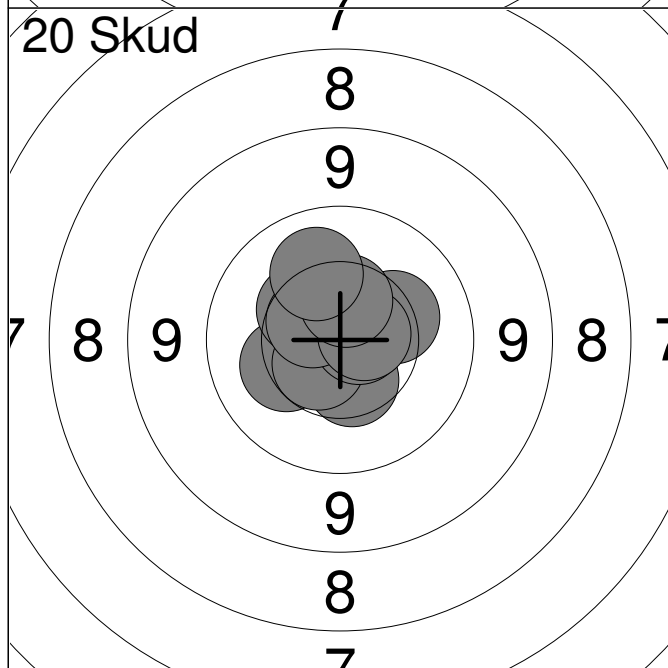
1: 10.0 ↑	6: 10.2 ↓	Serie	100.0	11: *10.5 ↙	16: 9.8 ↓	Serie	98.0
2: 10.2 ↑	7: 10.3 ↓			12: 10.3 ↓	17: 10.4 →		
3: *10.7 ↓	8: *10.5 ↓	Total	100.0	13: 10.1 →	18: 10.3 ↓	Total	198.0
4: 10.0 →	9: 10.5 ↓			14: 10.4 ↘	19: 9.9 ↙		
5: 10.4 ↙	10: *10.6 ↘	15: *10.7 ↙	20: 10.2 ↓				



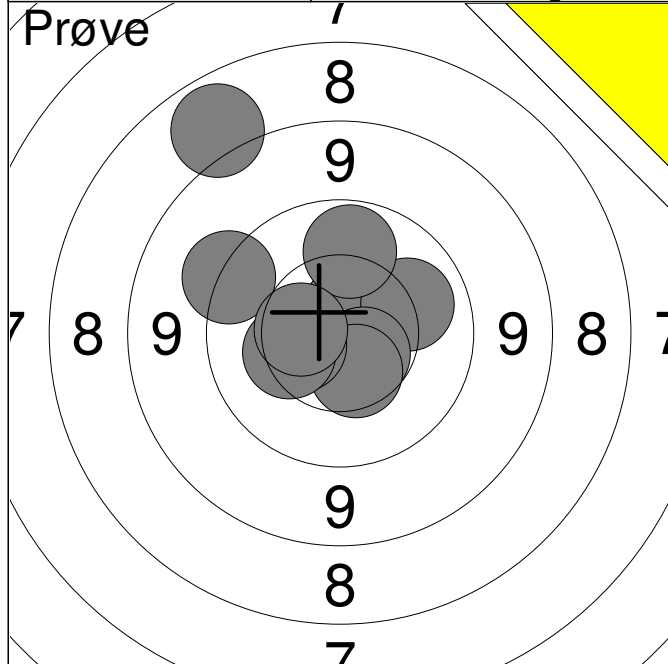
1:	*10.6	←
2:	*10.7	↗
3:	10.4	↓
4:	9.5	→
5:	*10.7	↙
6:	*10.7	↓
7:	10.4	↙
8:	*10.7	↗
Serie		79.0
Total		0.0



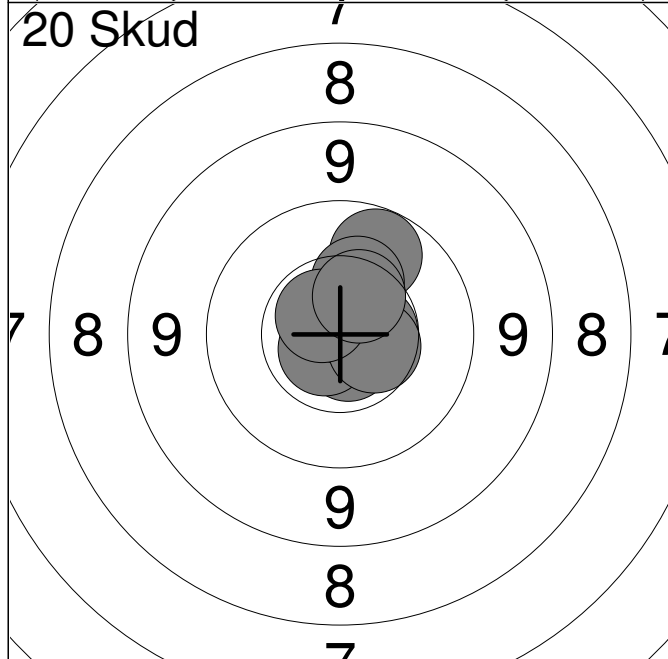
1:	*10.9	↗
2:	*10.7	↑
3:	*10.6	↗
4:	10.2	→
5:	*10.8	→
6:	10.4	→
7:	10.5	↙
8:	*10.7	←
9:	*10.8	←
10:	10.3	↗
Serie		100.0
Total		100.0



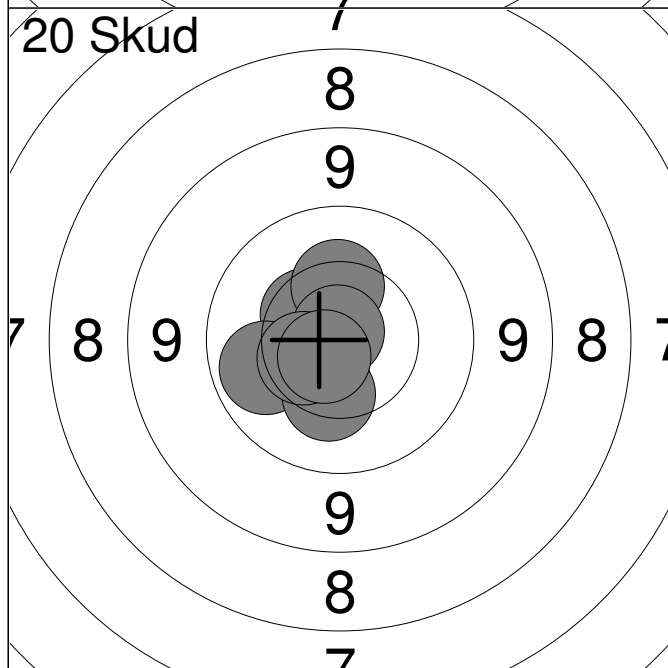
11:	10.3	↗
12:	10.5	↓
13:	10.3	←
14:	10.6	↙
15:	10.4	↗
16:	*10.7	→
17:	10.6	↗
18:	*10.7	→
19:	10.5	↑
20:	10.1	↗
Serie		100.0
Total		200.0



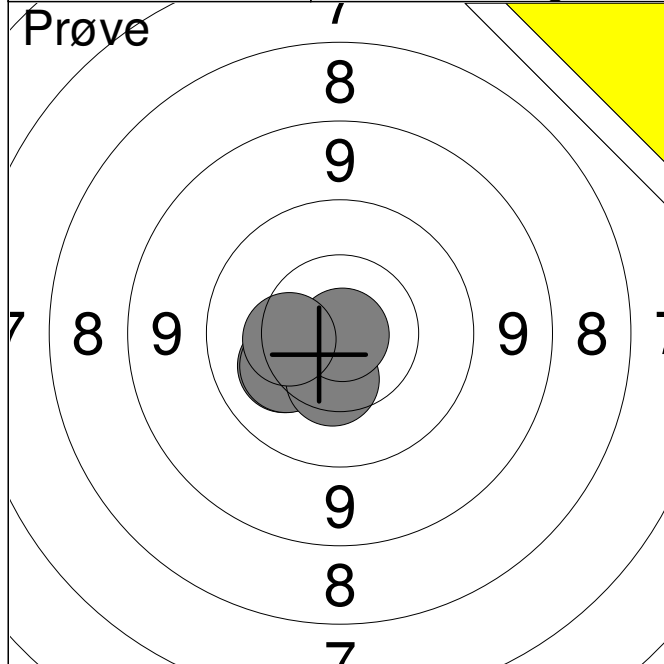
1:	8.0	↗
2:	9.5	↖
3:	*10.7	↗
4:	10.1	→
5:	10.0	↑
6:	*10.6	↘
7:	10.5	↘
8:	10.5	←
9:	10.3	←
10:	10.5	←
Serie		97.0
Total		0.0



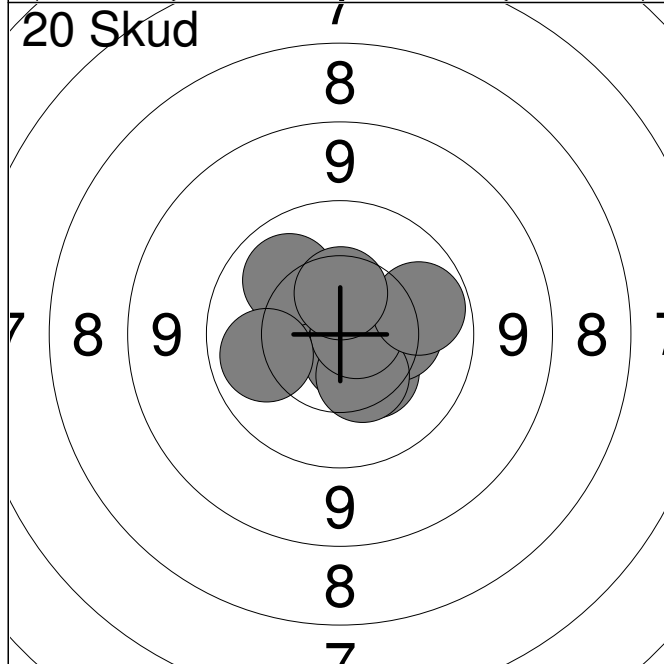
1:	*10.6	→
2:	9.9	↑
3:	*10.7	↘
4:	*10.9	↗
5:	*10.7	↖
6:	*10.8	↑
7:	10.5	→
8:	10.3	↑
9:	*10.7	↖
10:	10.5	↗
Serie		99.0
Total		99.0



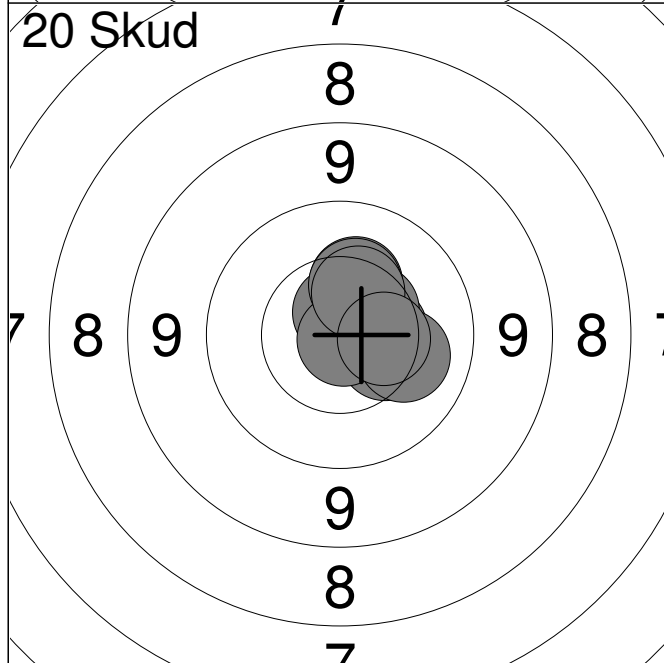
11:	*10.7	←
12:	10.5	↖
13:	10.5	↖
14:	10.5	↘
15:	10.3	↑
16:	10.0	←
17:	10.3	↘
18:	*10.8	↑
19:	10.5	↖
20:	*10.7	↖
Serie		100.0
Total		199.0



1:	10.2	↙
2:	10.2	↙
3:	10.4	↓
4:	*10.9	↘
5:	10.4	←
Serie		50.0
Total		0.0



1:	10.4	↘
2:	*10.9	↗
3:	10.1	↗
4:	10.3	→
5:	*10.7	↘
6:	10.4	↘
7:	*10.8	→
8:	10.1	←
9:	10.0	→
10:	10.5	↑
Serie		100.0
Total		100.0

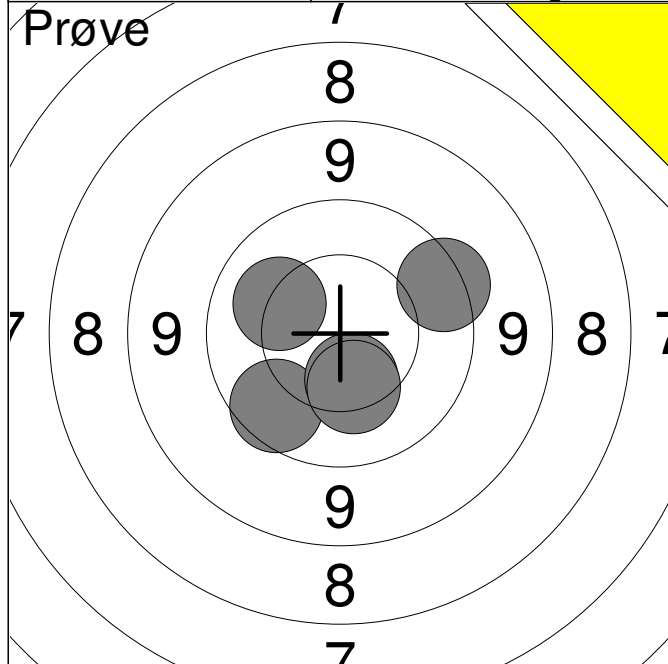


11:	10.5	→
12:	10.5	↗
13:	10.3	↑
14:	10.4	→
15:	10.2	→
16:	*10.7	↑
17:	*10.9	↘
18:	10.3	↑
19:	10.4	↗
20:	10.4	→
Serie		100.0
Total		200.0

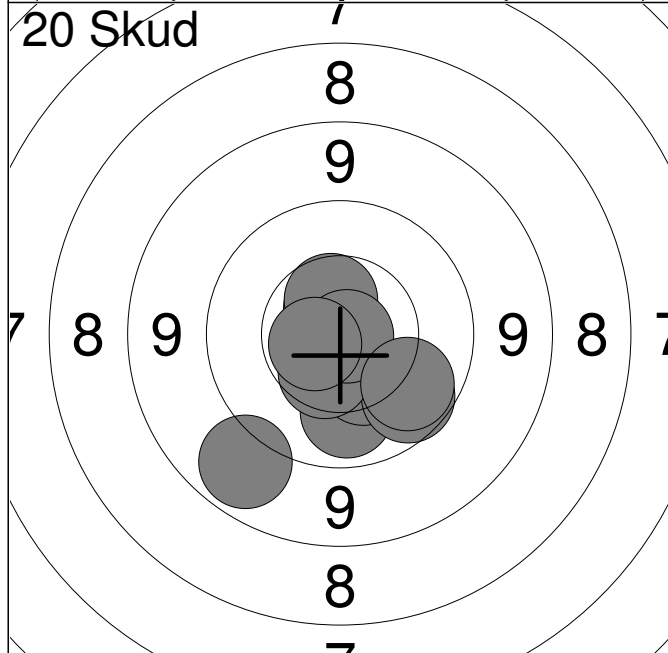
<p>Prøve</p>	<table style="width:100%; border-collapse: collapse;"> <tr><td style="width:10%;">1:</td><td style="width:10%;">9.8</td><td style="width:10%; text-align: right;">↘</td></tr> <tr><td>2:</td><td>*10.9</td><td style="text-align: right;">↘</td></tr> <tr><td>3:</td><td>*10.6</td><td style="text-align: right;">↗</td></tr> <tr><td>4:</td><td>10.3</td><td style="text-align: right;">↙</td></tr> <tr><td>5:</td><td>10.2</td><td style="text-align: right;">→</td></tr> </table> <table border="1" style="width:100%; border-collapse: collapse; margin-top: 10px;"> <tr> <td style="width:80%;">Serie</td> <td style="text-align: right;">49.0</td> </tr> <tr> <td>Total</td> <td style="text-align: right;">0.0</td> </tr> </table>	1:	9.8	↘	2:	*10.9	↘	3:	*10.6	↗	4:	10.3	↙	5:	10.2	→	Serie	49.0	Total	0.0
1:	9.8	↘																		
2:	*10.9	↘																		
3:	*10.6	↗																		
4:	10.3	↙																		
5:	10.2	→																		
Serie	49.0																			
Total	0.0																			

<p>20 Skud</p>	<table style="width:100%; border-collapse: collapse;"> <tr><td style="width:10%;">1:</td><td style="width:10%;">10.3</td><td style="width:10%; text-align: right;">↘</td></tr> <tr><td>2:</td><td>10.2</td><td style="text-align: right;">→</td></tr> <tr><td>3:</td><td>*10.7</td><td style="text-align: right;">↗</td></tr> <tr><td>4:</td><td>*10.7</td><td style="text-align: right;">↙</td></tr> <tr><td>5:</td><td>9.7</td><td style="text-align: right;">→</td></tr> <tr><td>6:</td><td>10.4</td><td style="text-align: right;">↗</td></tr> <tr><td>7:</td><td>9.9</td><td style="text-align: right;">↗</td></tr> <tr><td>8:</td><td>10.0</td><td style="text-align: right;">↘</td></tr> <tr><td>9:</td><td>10.2</td><td style="text-align: right;">↙</td></tr> <tr><td>10:</td><td>10.0</td><td style="text-align: right;">↖</td></tr> </table> <table border="1" style="width:100%; border-collapse: collapse; margin-top: 10px;"> <tr> <td style="width:80%;">Serie</td> <td style="text-align: right;">98.0</td> </tr> <tr> <td>Total</td> <td style="text-align: right;">98.0</td> </tr> </table>	1:	10.3	↘	2:	10.2	→	3:	*10.7	↗	4:	*10.7	↙	5:	9.7	→	6:	10.4	↗	7:	9.9	↗	8:	10.0	↘	9:	10.2	↙	10:	10.0	↖	Serie	98.0	Total	98.0
1:	10.3	↘																																	
2:	10.2	→																																	
3:	*10.7	↗																																	
4:	*10.7	↙																																	
5:	9.7	→																																	
6:	10.4	↗																																	
7:	9.9	↗																																	
8:	10.0	↘																																	
9:	10.2	↙																																	
10:	10.0	↖																																	
Serie	98.0																																		
Total	98.0																																		

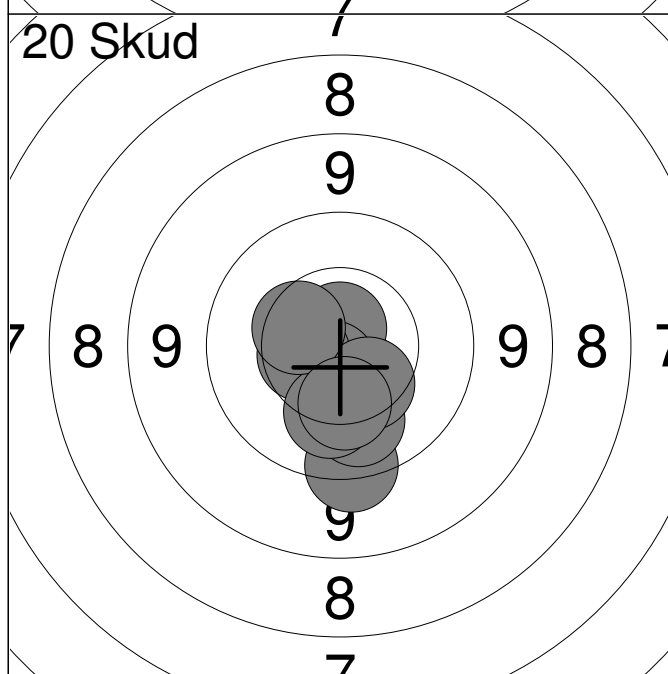
<p>20 Skud</p>	<table style="width:100%; border-collapse: collapse;"> <tr><td style="width:10%;">11:</td><td style="width:10%;">10.3</td><td style="width:10%; text-align: right;">↗</td></tr> <tr><td>12:</td><td>*10.8</td><td style="text-align: right;">↘</td></tr> <tr><td>13:</td><td>10.3</td><td style="text-align: right;">↙</td></tr> <tr><td>14:</td><td>9.4</td><td style="text-align: right;">↘</td></tr> <tr><td>15:</td><td>*10.5</td><td style="text-align: right;">↘</td></tr> <tr><td>16:</td><td>9.9</td><td style="text-align: right;">↘</td></tr> <tr><td>17:</td><td>10.1</td><td style="text-align: right;">↘</td></tr> <tr><td>18:</td><td>*10.6</td><td style="text-align: right;">↘</td></tr> <tr><td>19:</td><td>*10.6</td><td style="text-align: right;">↘</td></tr> <tr><td>20:</td><td>*10.7</td><td style="text-align: right;">↘</td></tr> </table> <table border="1" style="width:100%; border-collapse: collapse; margin-top: 10px;"> <tr> <td style="width:80%;">Serie</td> <td style="text-align: right;">98.0</td> </tr> <tr> <td>Total</td> <td style="text-align: right;">196.0</td> </tr> </table>	11:	10.3	↗	12:	*10.8	↘	13:	10.3	↙	14:	9.4	↘	15:	*10.5	↘	16:	9.9	↘	17:	10.1	↘	18:	*10.6	↘	19:	*10.6	↘	20:	*10.7	↘	Serie	98.0	Total	196.0
11:	10.3	↗																																	
12:	*10.8	↘																																	
13:	10.3	↙																																	
14:	9.4	↘																																	
15:	*10.5	↘																																	
16:	9.9	↘																																	
17:	10.1	↘																																	
18:	*10.6	↘																																	
19:	*10.6	↘																																	
20:	*10.7	↘																																	
Serie	98.0																																		
Total	196.0																																		



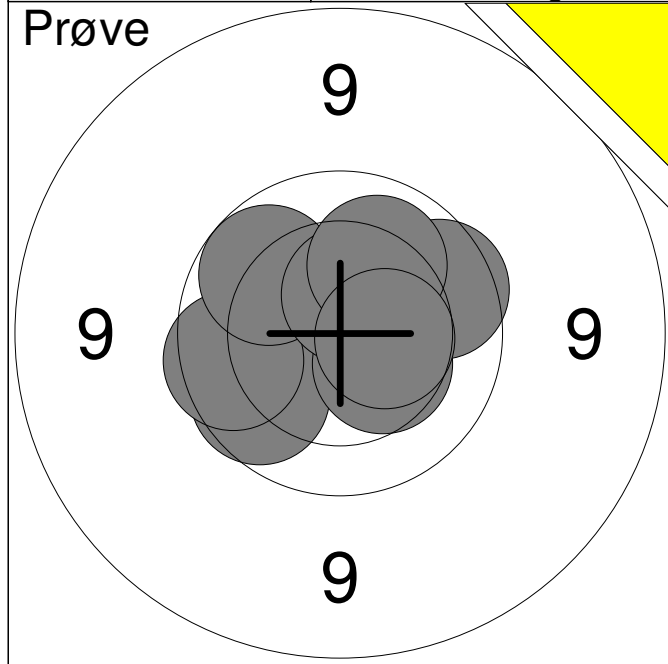
1:	9.8	↙
2:	10.2	↖
3:	9.6	→
4:	10.4	↓
5:	10.3	↓
Serie		48.0
Total		0.0



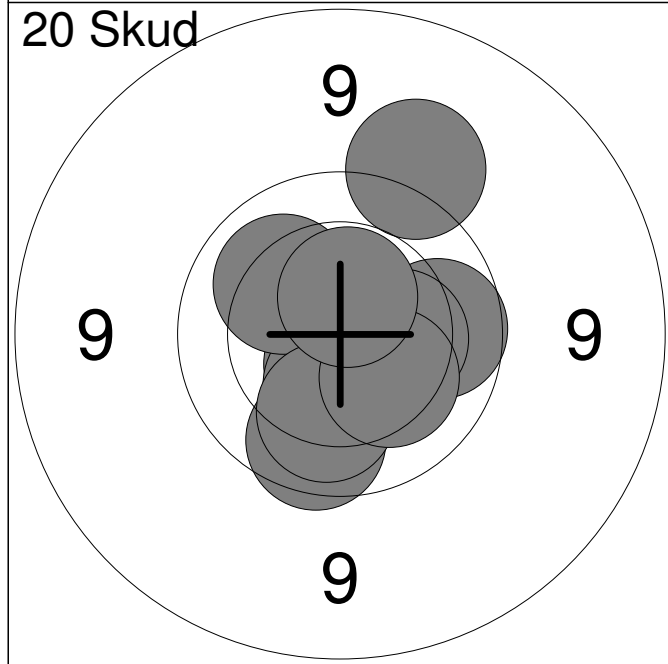
1:	9.0	↙
2:	10.1	↓
3:	10.4	↓
4:	9.9	↓
5:	*10.6	↗
6:	10.5	↗
7:	10.5	↙
8:	*10.9	→
9:	*10.6	←
10:	10.0	↓
Serie		98.0
Total		98.0



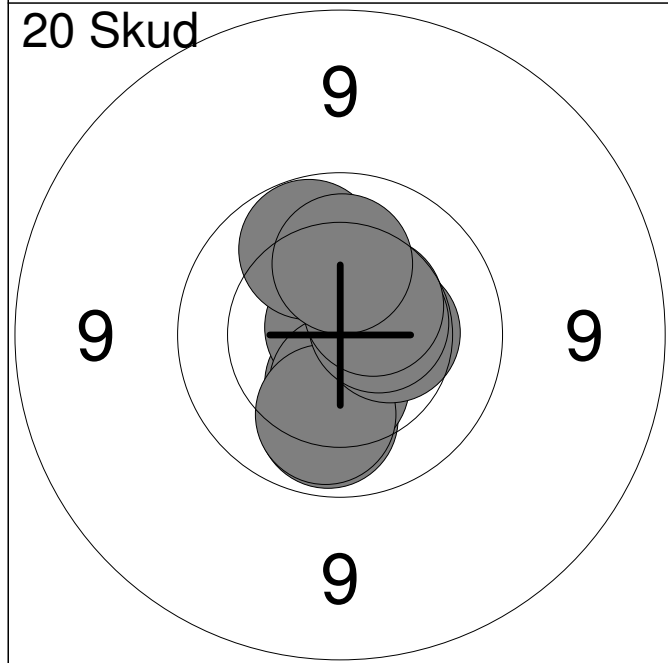
11:	*10.7	↓
12:	*10.8	↑
13:	*10.7	↙
14:	10.5	←
15:	9.5	↓
16:	10.1	↓
17:	10.2	↓
18:	10.4	↙
19:	10.4	↗
20:	10.3	↓
Serie		99.0
Total		197.0



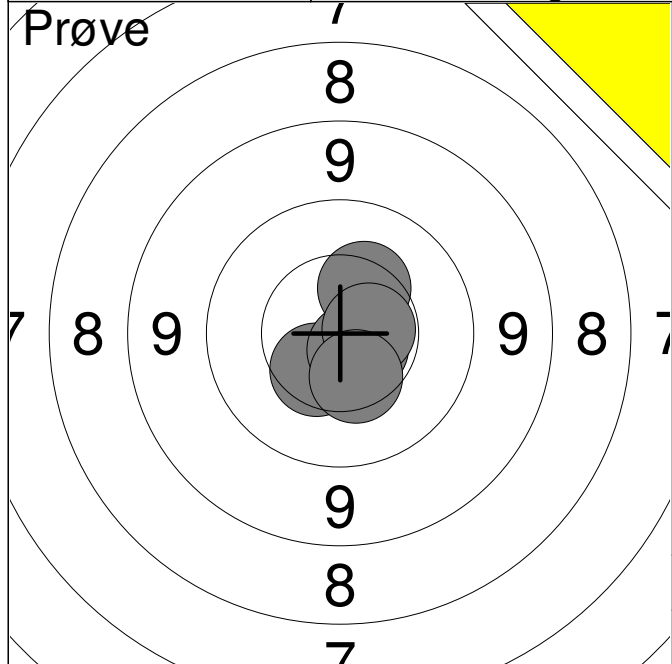
1:	9.9	↙
2:	10.4	↘
3:	9.8	←
4:	10.0	↗
5:	9.9	→
6:	*10.5	↑
7:	10.1	↗
8:	10.5	→
Serie		77.0
Total		0.0



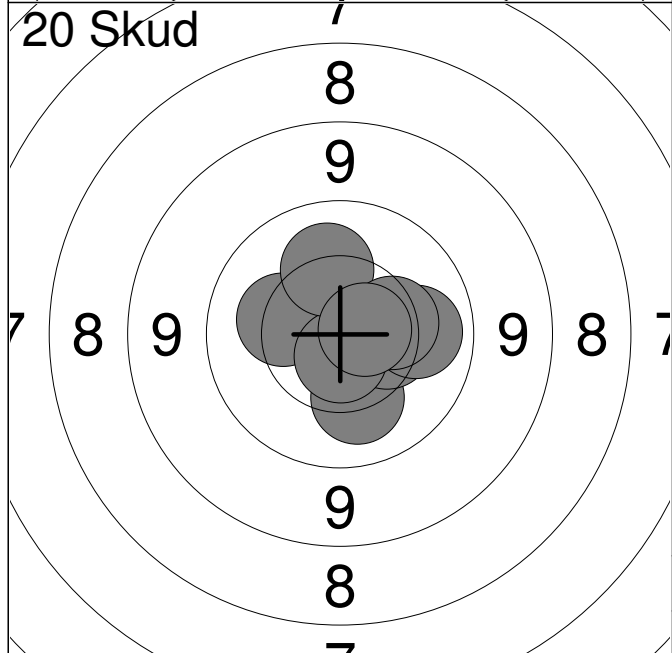
1:	9.9	↓
2:	9.9	→
3:	10.3	→
4:	*10.6	↓
5:	10.4	↓
6:	10.1	↗
7:	10.1	↓
8:	10.2	↘
9:	*10.5	↑
10:	9.4	↗
Serie		97.0
Total		97.0



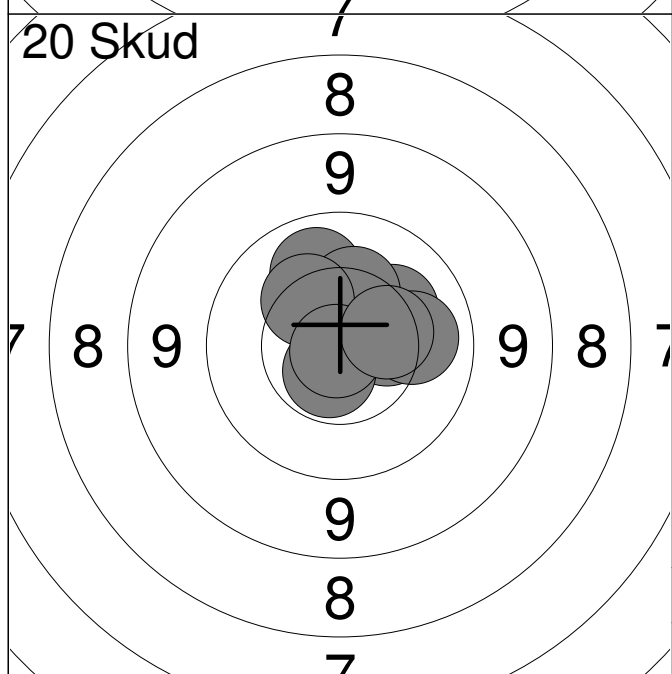
11:	10.4	↓
12:	*10.9	↗
13:	10.0	↓
14:	10.4	↓
15:	10.1	↓
16:	10.4	→
17:	10.0	↗
18:	*10.5	→
19:	10.5	↗
20:	10.2	↑
Serie		100.0
Total		197.0



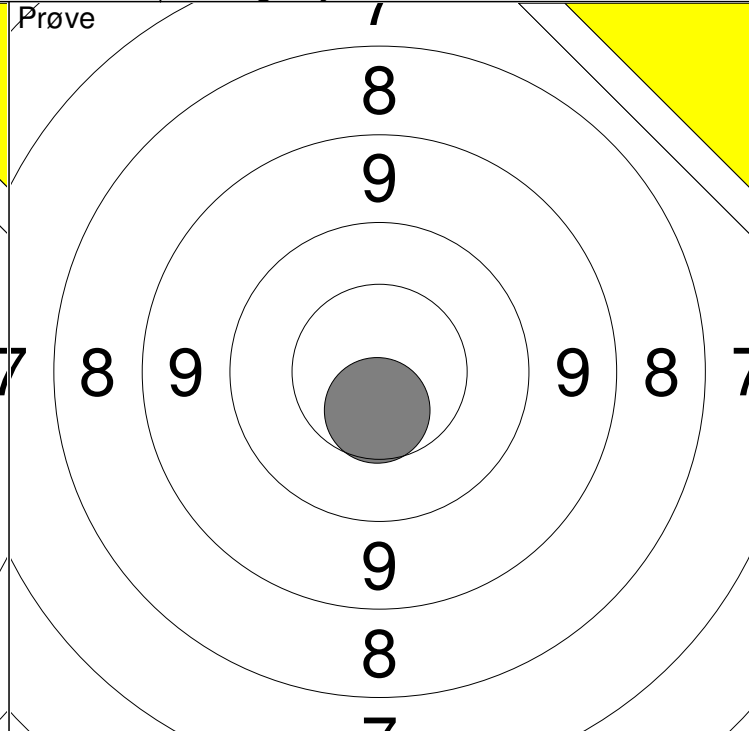
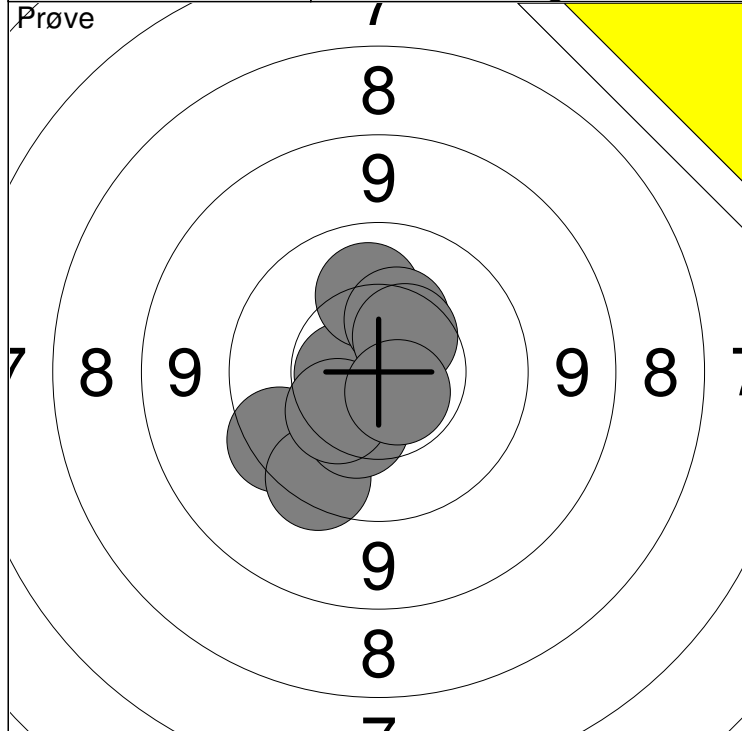
1:	10.4	↙
2:	*10.7	↘
3:	*10.7	↙
4:	10.4	↗
5:	*10.6	→
6:	10.4	↙
Serie		60.0
Total		0.0



1:	*10.7	↗
2:	10.2	↙
3:	*10.8	↗
4:	10.3	↖
5:	10.4	→
6:	*10.7	↙
7:	10.2	↗
8:	10.1	→
9:	10.3	→
10:	*10.7	→
Serie		100.0
Total		100.0

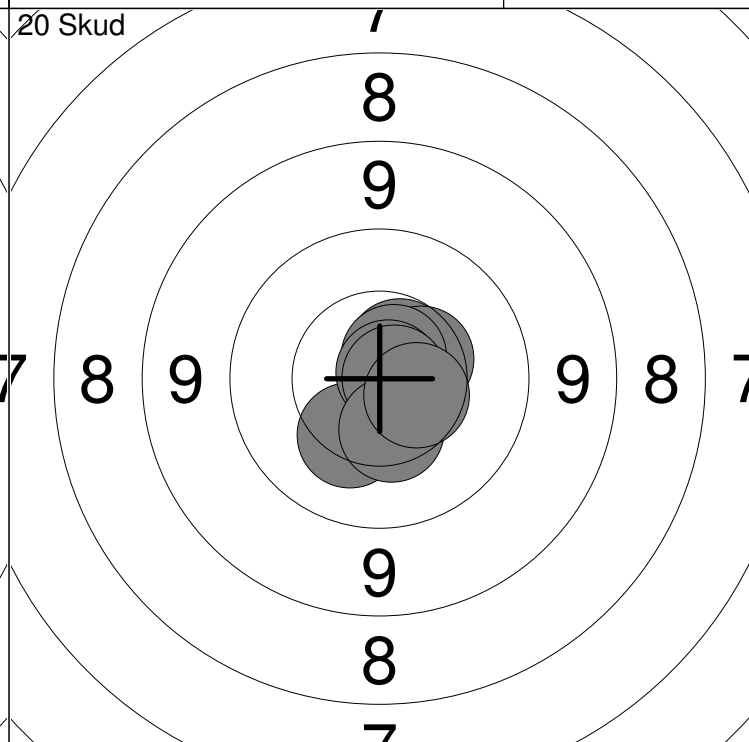
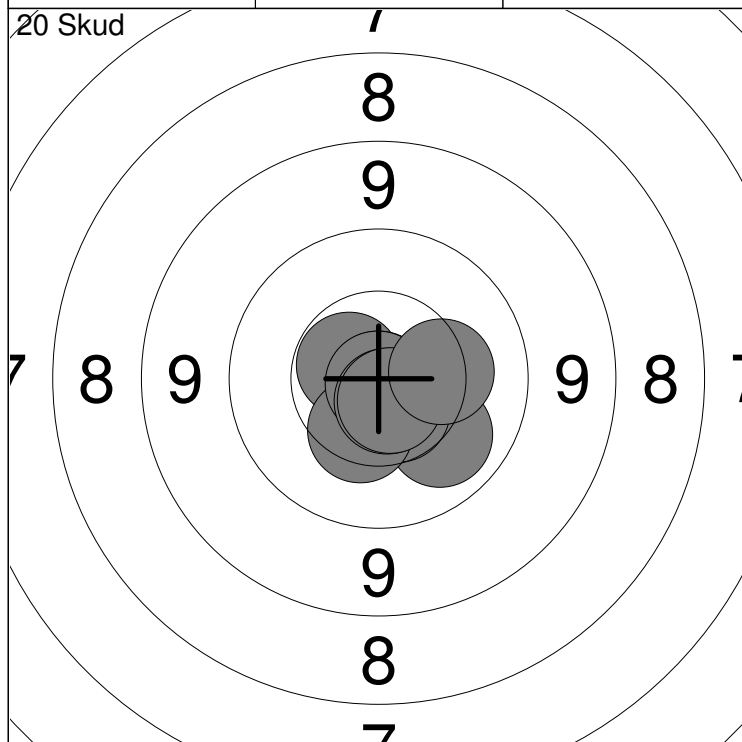


11:	10.1	↗
12:	10.5	↗
13:	10.2	↗
14:	10.3	↗
15:	10.3	↖
16:	10.4	→
17:	*10.6	↙
18:	*10.9	↙
19:	10.1	→
20:	10.4	→
Serie		100.0
Total		200.0



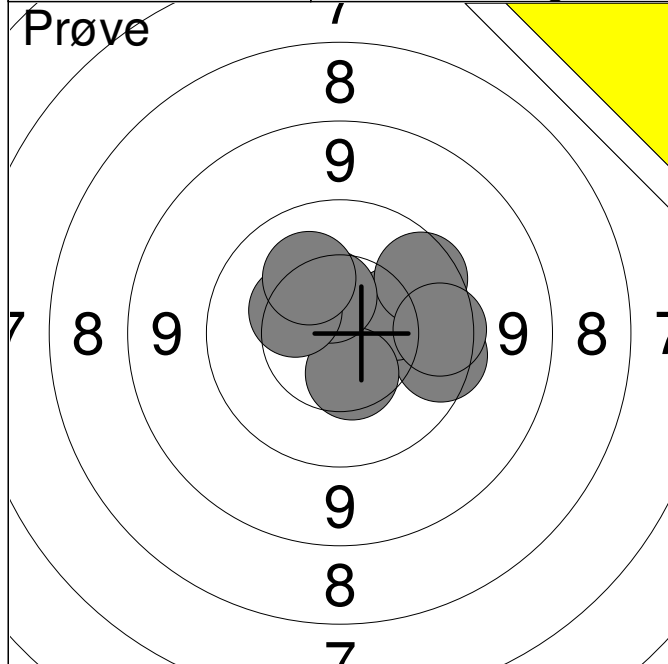
1: 9.7 ↙	6: 10.4 ↙	Serie	98.0
2: 9.7 ↘	7: 10.2 ↑		
3: *10.9 →	8: 10.4 ↑	Total	0.0
4: *10.6 ←	9: 10.5 ↗		
5: 10.4 ↘	10: *10.7 ↘		

11: 10.5 ↓	Serie	10.0
	Total	0.0

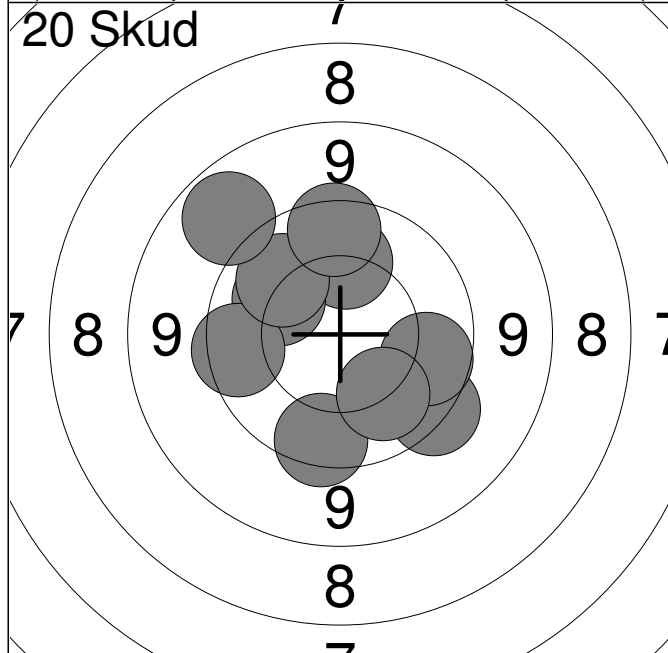


1: *10.6 ←	6: 10.4 ↘	Serie	100.0
2: *10.9 ↓	7: *10.9 ↓		
3: *10.8 →	8: *10.7 ↓	Total	100.0
4: 10.1 ↘	9: *10.7 ↓		
5: 10.6 ↘	10: 10.3 →		

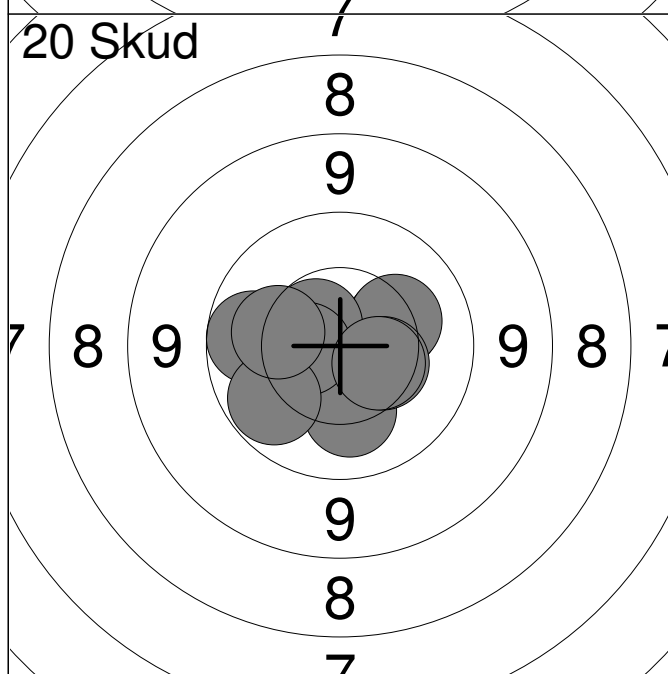
11: *10.6 →	16: *10.7 ↗	Serie	100.0
12: *10.6 ↗	17: *10.8 ↗		
13: *10.7 →	18: *10.8 →	Total	200.0
14: 10.3 ↘	19: 10.4 ↘		
15: 10.5 ↗	20: 10.5 →		



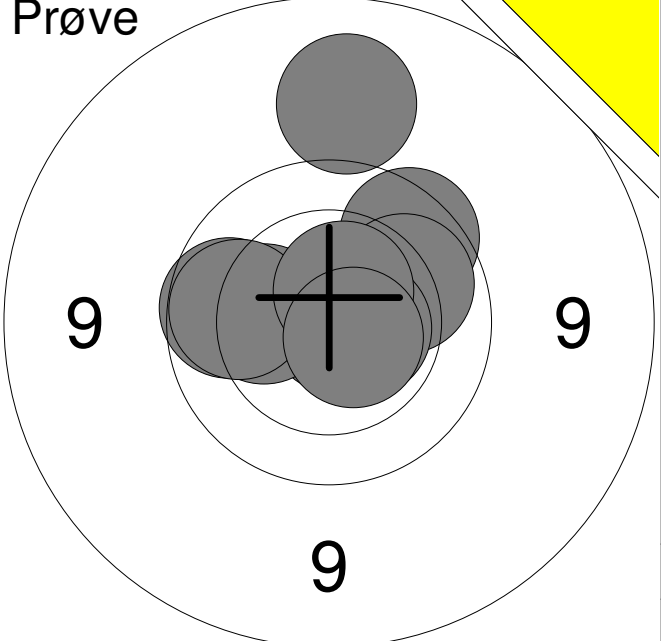
1:	9.7	→
2:	10.4	↗
3:	10.3	→
4:	10.5	↓
5:	9.8	↗
6:	9.8	→
7:	10.5	↗
8:	10.4	↗
9:	10.2	↗
Serie		87.0
Total		0.0

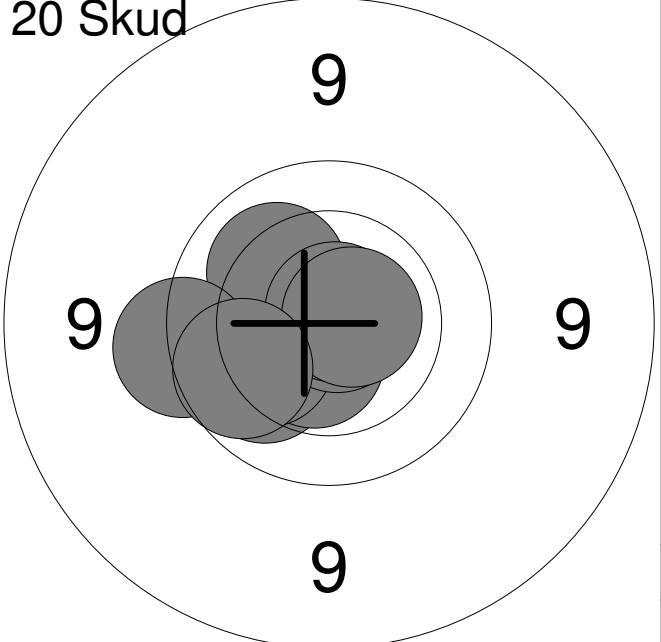


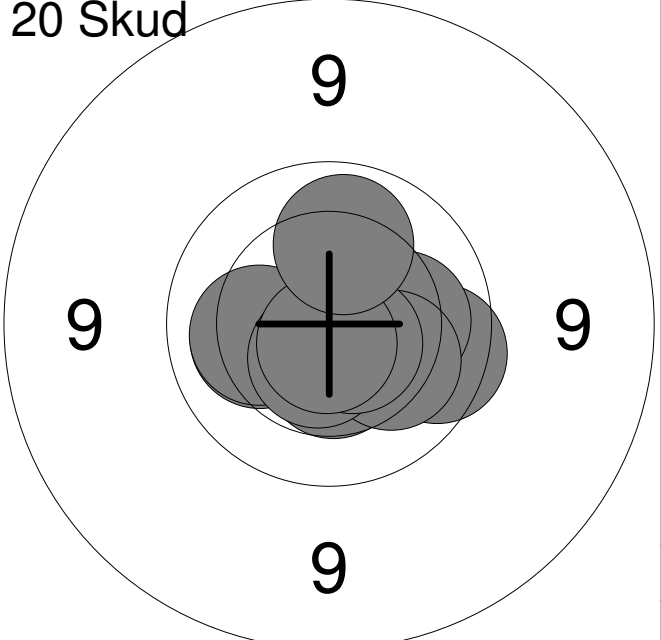
1:	10.1	↑
2:	10.1	↗
3:	9.7	↓
4:	9.7	←
5:	10.0	↗
6:	9.7	↑
7:	9.5	↓
8:	9.9	→
9:	10.1	↓
10:	9.0	↗
Serie		94.0
Total		94.0

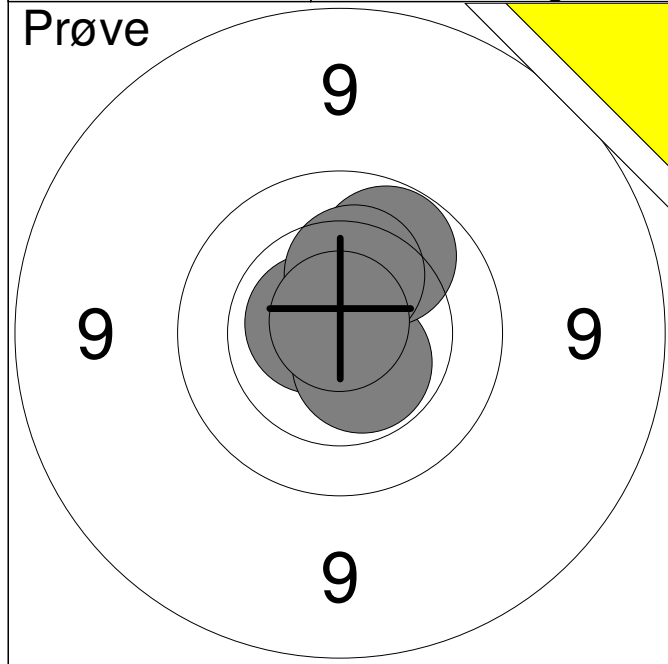


11:	9.9	←
12:	10.2	↓
13:	10.3	→
14:	10.3	→
15:	10.6	↗
16:	10.5	←
17:	10.0	↙
18:	10.4	→
19:	10.5	↓
20:	10.2	←
Serie		99.0
Total		193.0

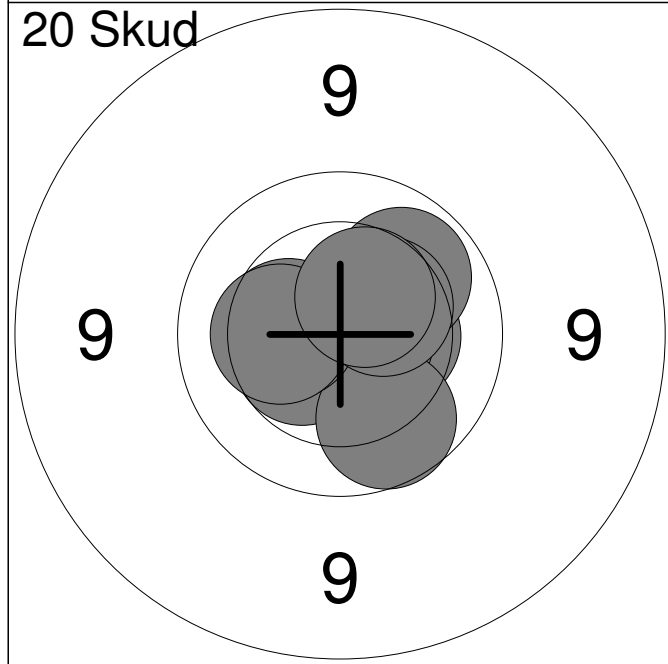
<p>Prøve</p> 	<table style="width:100%; border-collapse: collapse;"> <tr><td style="width:5%;">1:</td><td style="width:15%;">9.2</td><td style="width:10%; text-align: right;">↑</td></tr> <tr><td>2:</td><td>*10.9</td><td style="text-align: right;">→</td></tr> <tr><td>3:</td><td>10.2</td><td style="text-align: right;">←</td></tr> <tr><td>4:</td><td>9.9</td><td style="text-align: right;">←</td></tr> <tr><td>5:</td><td>9.8</td><td style="text-align: right;">↗</td></tr> <tr><td>6:</td><td>10.0</td><td style="text-align: right;">↗</td></tr> <tr><td>7:</td><td>*10.6</td><td style="text-align: right;">→</td></tr> <tr><td>8:</td><td>10.0</td><td style="text-align: right;">←</td></tr> <tr><td>9:</td><td>*10.6</td><td style="text-align: right;">↗</td></tr> <tr><td>10:</td><td>*10.6</td><td style="text-align: right;">↘</td></tr> <tr><td colspan="2">Serie</td><td style="text-align: right;">97.0</td></tr> <tr><td colspan="2">Total</td><td style="text-align: right;">0.0</td></tr> </table>	1:	9.2	↑	2:	*10.9	→	3:	10.2	←	4:	9.9	←	5:	9.8	↗	6:	10.0	↗	7:	*10.6	→	8:	10.0	←	9:	*10.6	↗	10:	*10.6	↘	Serie		97.0	Total		0.0
1:	9.2	↑																																			
2:	*10.9	→																																			
3:	10.2	←																																			
4:	9.9	←																																			
5:	9.8	↗																																			
6:	10.0	↗																																			
7:	*10.6	→																																			
8:	10.0	←																																			
9:	*10.6	↗																																			
10:	*10.6	↘																																			
Serie		97.0																																			
Total		0.0																																			

<p>20 Skud</p> 	<table style="width:100%; border-collapse: collapse;"> <tr><td style="width:5%;">1:</td><td style="width:15%;">10.1</td><td style="width:10%; text-align: right;">↙</td></tr> <tr><td>2:</td><td>*10.5</td><td style="text-align: right;">↘</td></tr> <tr><td>3:</td><td>10.2</td><td style="text-align: right;">↙</td></tr> <tr><td>4:</td><td>10.1</td><td style="text-align: right;">←</td></tr> <tr><td>5:</td><td>10.2</td><td style="text-align: right;">↗</td></tr> <tr><td>6:</td><td>*10.9</td><td style="text-align: right;">→</td></tr> <tr><td>7:</td><td>*10.8</td><td style="text-align: right;">↗</td></tr> <tr><td>8:</td><td>*10.7</td><td style="text-align: right;">→</td></tr> <tr><td>9:</td><td>9.6</td><td style="text-align: right;">←</td></tr> <tr><td>10:</td><td>9.9</td><td style="text-align: right;">↙</td></tr> <tr><td colspan="2">Serie</td><td style="text-align: right;">98.0</td></tr> <tr><td colspan="2">Total</td><td style="text-align: right;">98.0</td></tr> </table>	1:	10.1	↙	2:	*10.5	↘	3:	10.2	↙	4:	10.1	←	5:	10.2	↗	6:	*10.9	→	7:	*10.8	↗	8:	*10.7	→	9:	9.6	←	10:	9.9	↙	Serie		98.0	Total		98.0
1:	10.1	↙																																			
2:	*10.5	↘																																			
3:	10.2	↙																																			
4:	10.1	←																																			
5:	10.2	↗																																			
6:	*10.9	→																																			
7:	*10.8	↗																																			
8:	*10.7	→																																			
9:	9.6	←																																			
10:	9.9	↙																																			
Serie		98.0																																			
Total		98.0																																			

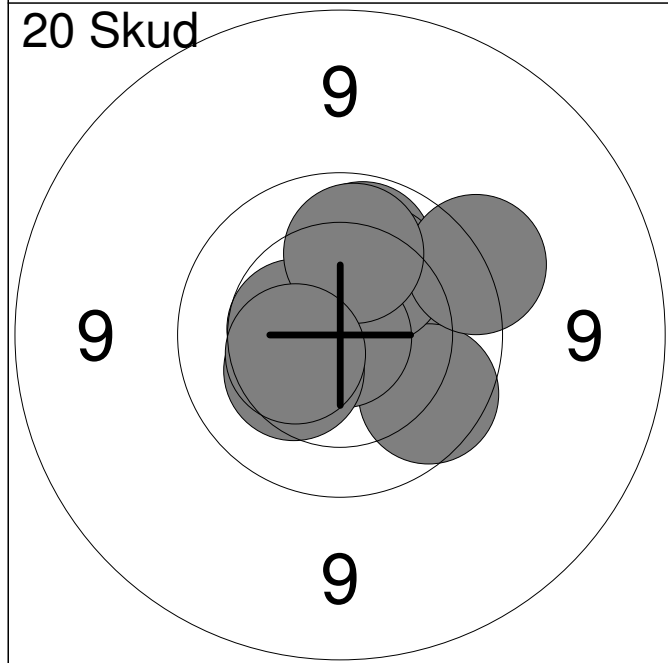
<p>20 Skud</p> 	<table style="width:100%; border-collapse: collapse;"> <tr><td style="width:5%;">11:</td><td style="width:15%;">10.5</td><td style="width:10%; text-align: right;">↓</td></tr> <tr><td>12:</td><td>9.8</td><td style="text-align: right;">→</td></tr> <tr><td>13:</td><td>10.2</td><td style="text-align: right;">→</td></tr> <tr><td>14:</td><td>10.2</td><td style="text-align: right;">←</td></tr> <tr><td>15:</td><td>10.2</td><td style="text-align: right;">←</td></tr> <tr><td>16:</td><td>10.2</td><td style="text-align: right;">↘</td></tr> <tr><td>17:</td><td>*10.6</td><td style="text-align: right;">↘</td></tr> <tr><td>18:</td><td>*10.6</td><td style="text-align: right;">↘</td></tr> <tr><td>19:</td><td>*10.7</td><td style="text-align: right;">↓</td></tr> <tr><td>20:</td><td>10.1</td><td style="text-align: right;">↑</td></tr> <tr><td colspan="2">Serie</td><td style="text-align: right;">99.0</td></tr> <tr><td colspan="2">Total</td><td style="text-align: right;">197.0</td></tr> </table>	11:	10.5	↓	12:	9.8	→	13:	10.2	→	14:	10.2	←	15:	10.2	←	16:	10.2	↘	17:	*10.6	↘	18:	*10.6	↘	19:	*10.7	↓	20:	10.1	↑	Serie		99.0	Total		197.0
11:	10.5	↓																																			
12:	9.8	→																																			
13:	10.2	→																																			
14:	10.2	←																																			
15:	10.2	←																																			
16:	10.2	↘																																			
17:	*10.6	↘																																			
18:	*10.6	↘																																			
19:	*10.7	↓																																			
20:	10.1	↑																																			
Serie		99.0																																			
Total		197.0																																			



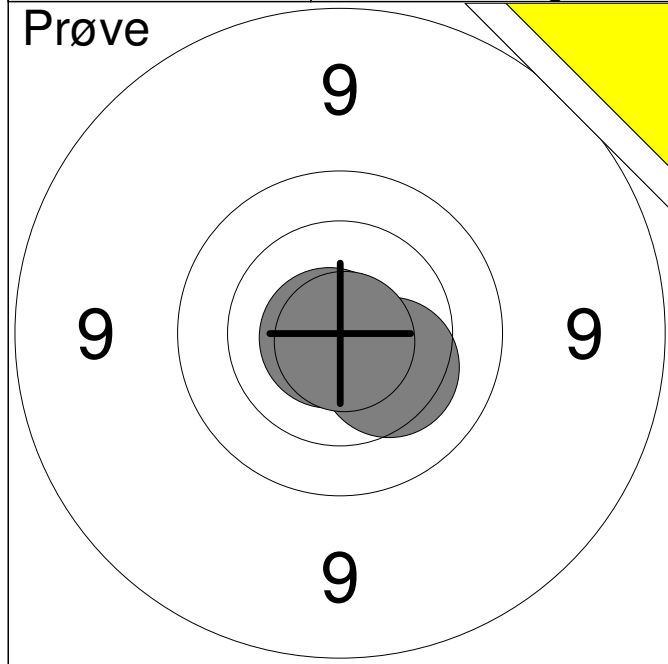
1:	*10.7	↖
2:	*10.6	↘
3:	10.0	↗
4:	10.3	↗
5:	*10.8	↑
Serie		50.0
Total		0.0



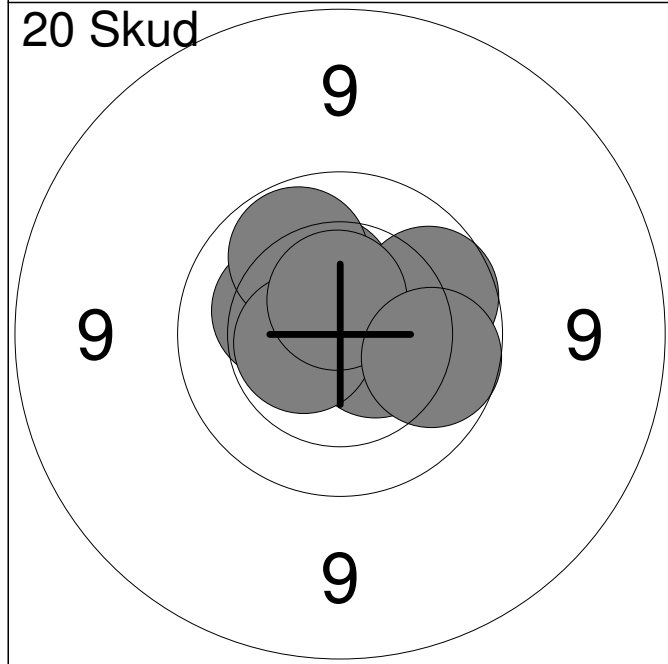
1:	10.4	→
2:	*10.7	→
3:	*10.7	→
4:	10.5	↖
5:	9.9	↘
6:	10.4	↖
7:	10.0	↗
8:	10.3	↖
9:	10.4	↗
10:	10.5	↗
Serie		99.0
Total		99.0



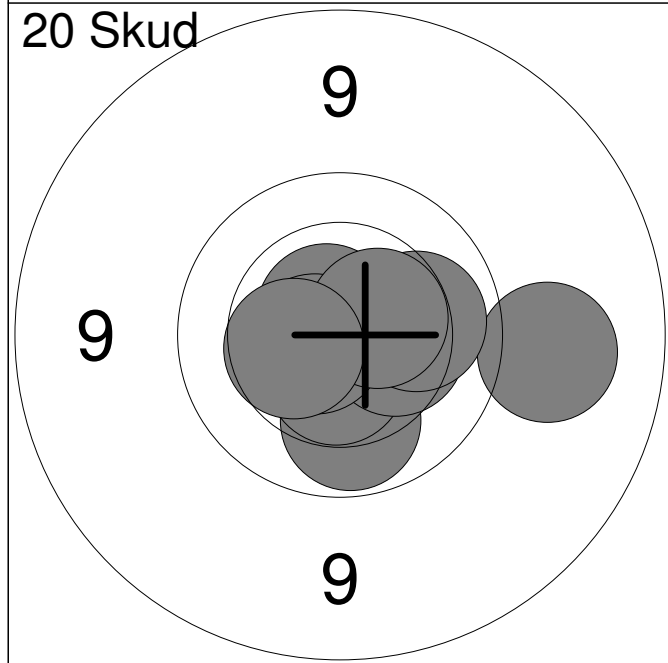
11:	10.4	→
12:	9.9	↘
13:	10.0	↑
14:	10.5	↖
15:	10.2	↗
16:	9.6	↗
17:	*10.9	↘
18:	10.1	↑
19:	10.3	↖
20:	10.4	↖
Serie		98.0
Total		197.0



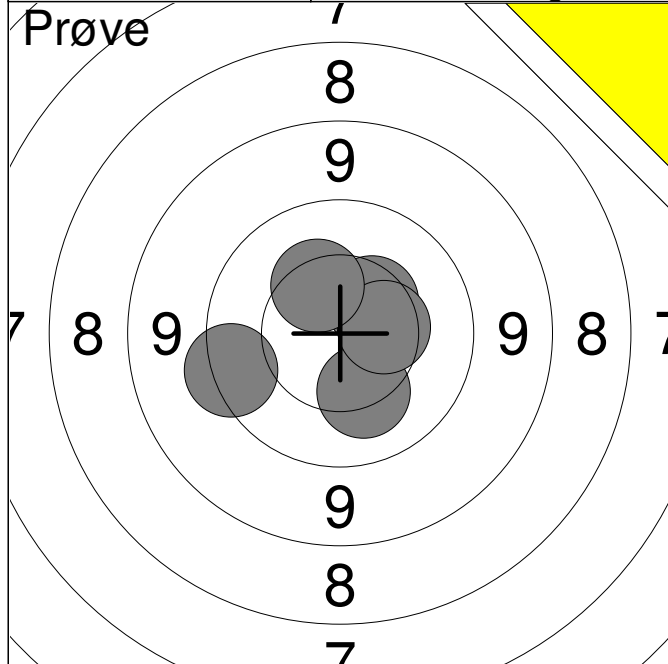
1:	10.3	↘
2:	*10.8	↙
3:	*10.8	↘
Serie		30.0
Total		0.0



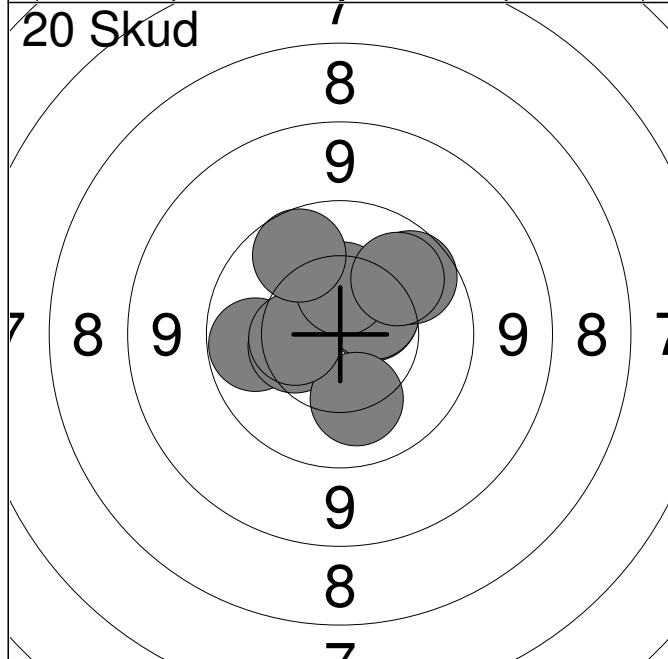
1:	10.4	↗
2:	*10.5	↘
3:	10.3	↗
4:	9.9	→
5:	*10.6	↗
6:	10.3	↗
7:	10.0	↗
8:	*10.5	↙
9:	*10.6	↗
10:	9.9	↘
Serie		98.0
Total		98.0



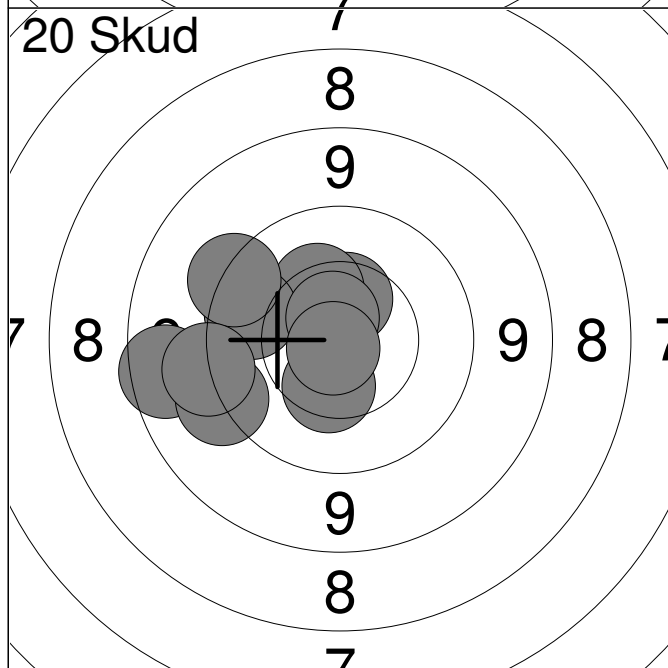
11:	10.0	↘
12:	*10.6	↘
13:	9.2	→
14:	*10.5	↘
15:	*10.7	↗
16:	10.3	→
17:	*10.7	↙
18:	10.1	→
19:	*10.5	↗
20:	10.4	↙
Serie		99.0
Total		197.0



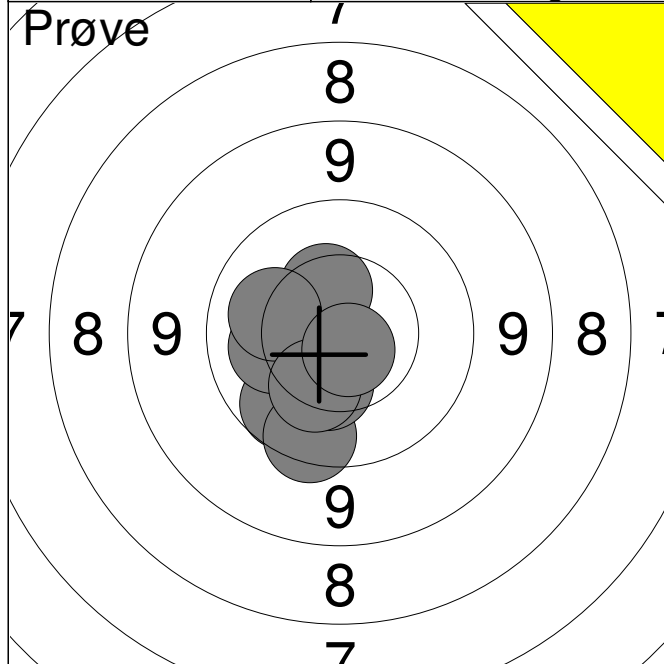
1:	9.6	←
2:	10.2	↓
3:	10.4	↗
4:	10.4	→
5:	10.3	↖
Serie		49.0
Total		0.0



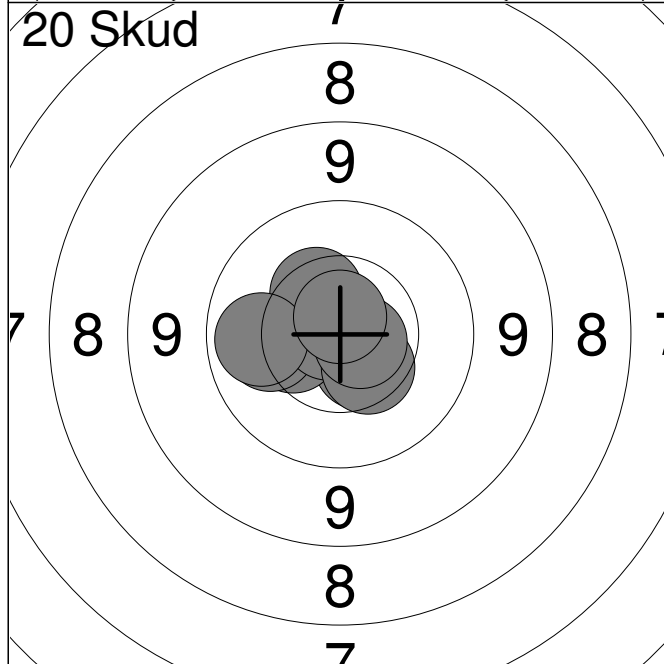
1:	10.5	↗
2:	10.5	↗
3:	10.0	←
4:	10.4	←
5:	10.2	↓
6:	10.4	←
7:	9.9	↗
8:	10.4	↑
9:	9.9	↖
10:	10.0	↗
Serie		98.0
Total		98.0



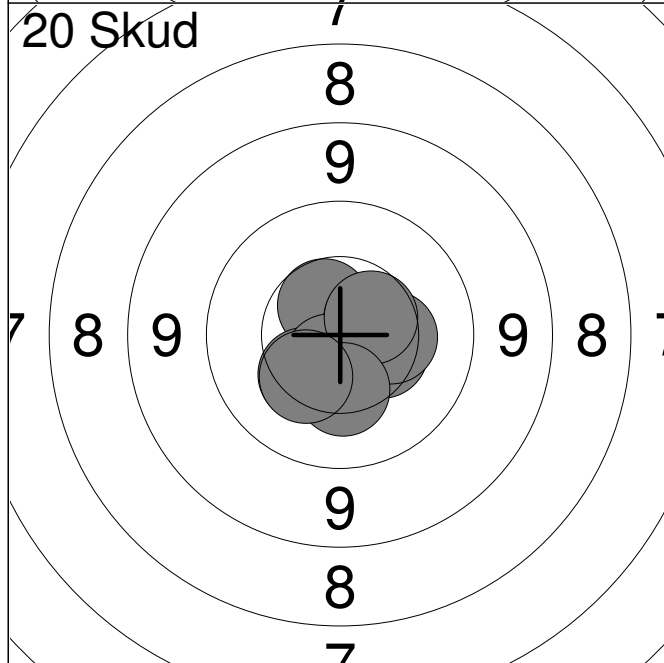
11:	10.5	↑
12:	8.8	←
13:	10.3	↖
14:	9.4	←
15:	9.9	←
16:	*10.7	↖
17:	10.4	↓
18:	*10.8	↖
19:	9.5	↖
20:	9.3	←
Serie		94.0
Total		192.0



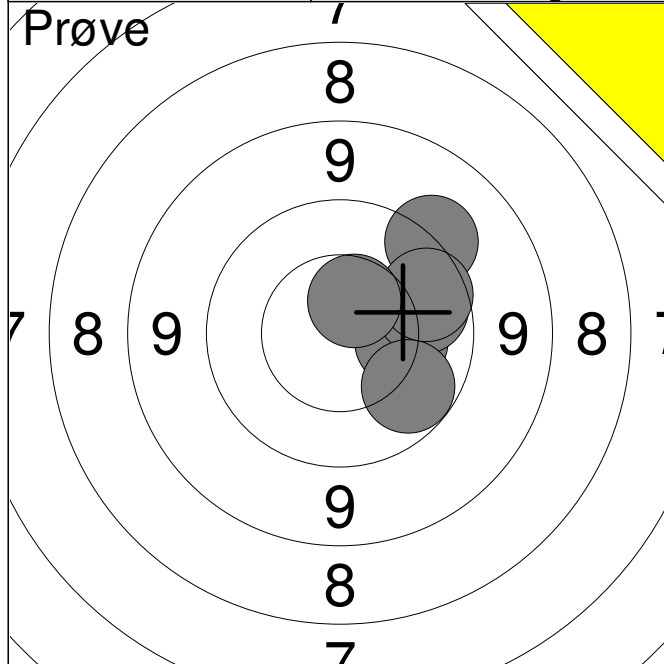
1:	9.9	↙
2:	9.7	↘
3:	*10.8	←
4:	10.4	↗
5:	10.3	↘
6:	10.2	←
7:	10.2	↖
8:	10.3	↘
9:	*10.7	↘
Serie		88.0
Total		0.0



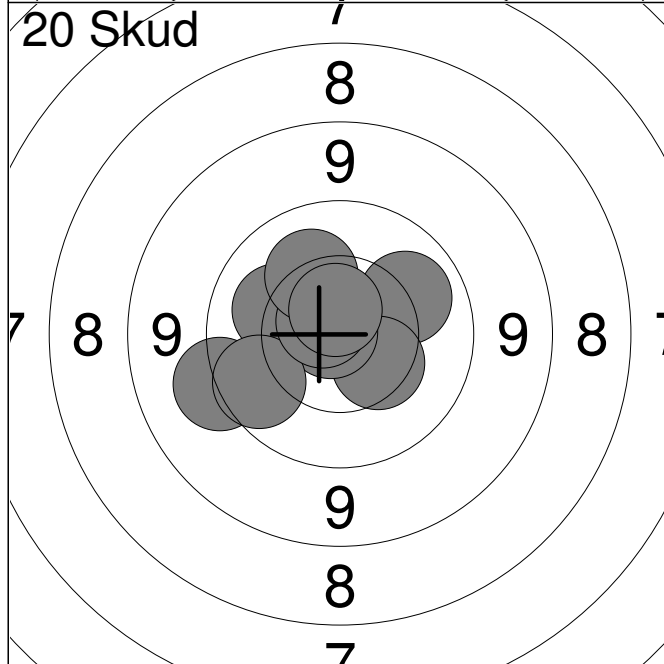
1:	10.5	↘
2:	*10.6	↗
3:	10.4	←
4:	10.1	←
5:	*10.8	←
6:	10.5	↘
7:	*10.7	↘
8:	10.4	↗
9:	10.0	←
10:	*10.7	↑
Serie		100.0
Total		100.0



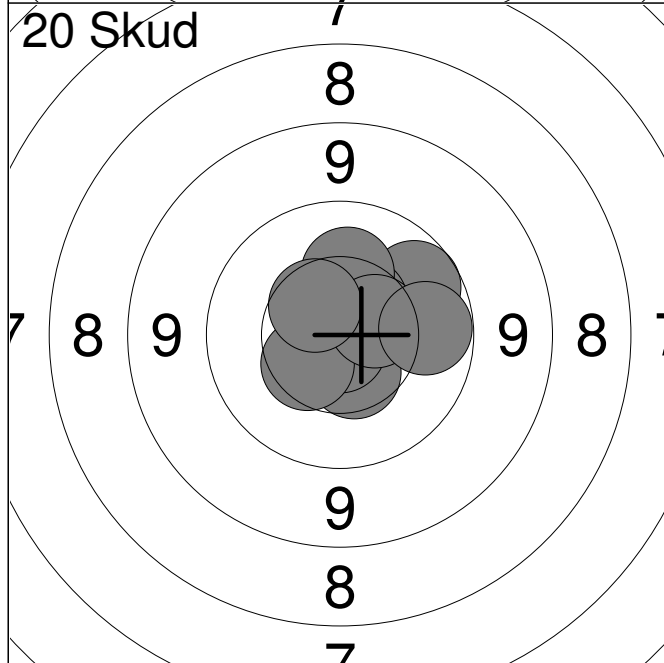
11:	10.6	↘
12:	10.6	↗
13:	10.4	↘
14:	10.6	↗
15:	10.4	→
16:	10.3	↙
17:	*10.6	↘
18:	10.5	↗
19:	10.3	↘
20:	10.3	↙
Serie		100.0
Total		200.0



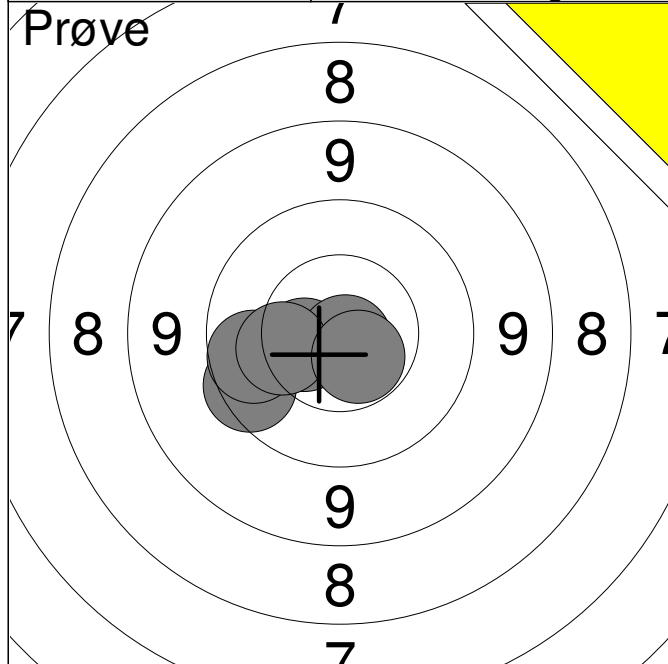
1:	9.4	↗
2:	10.2	→
3:	10.0	→
4:	10.0	↘
5:	9.8	↗
6:	10.5	↑
Serie		58.0
Total		0.0



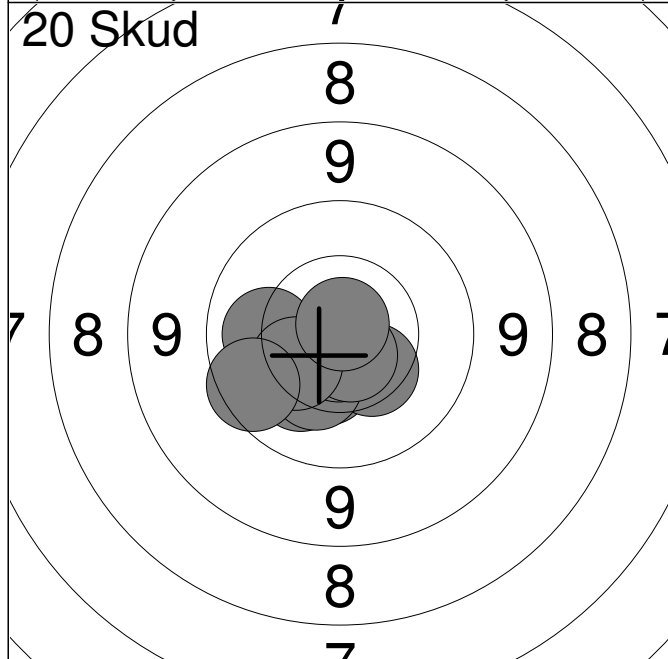
1:	*10.7	↑
2:	10.1	↗
3:	10.4	↘
4:	10.2	←
5:	*10.8	←
6:	9.4	←
7:	9.9	←
8:	*10.7	↗
9:	10.2	↑
10:	*10.7	↑
Serie		98.0
Total		98.0



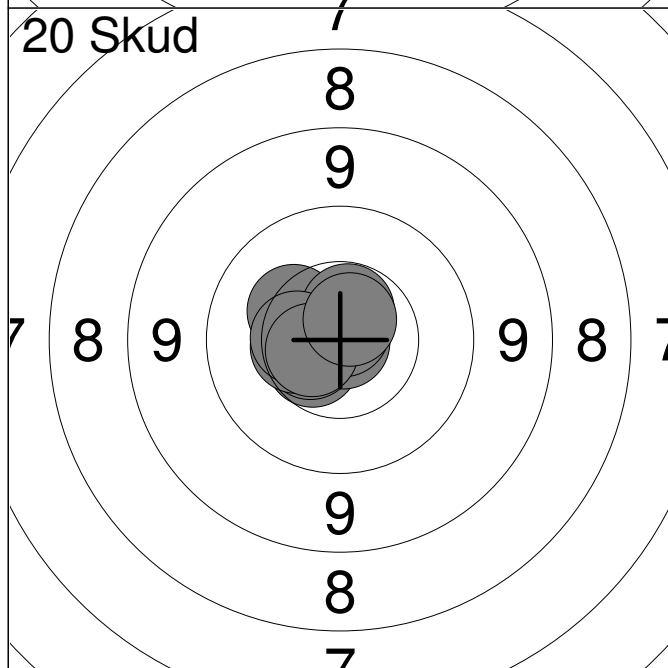
11:	9.9	↗
12:	10.5	→
13:	10.5	↘
14:	10.5	↗
15:	10.2	↑
16:	*10.8	↘
17:	10.5	↙
18:	10.5	→
19:	10.0	→
20:	10.5	↖
Serie		99.0
Total		197.0



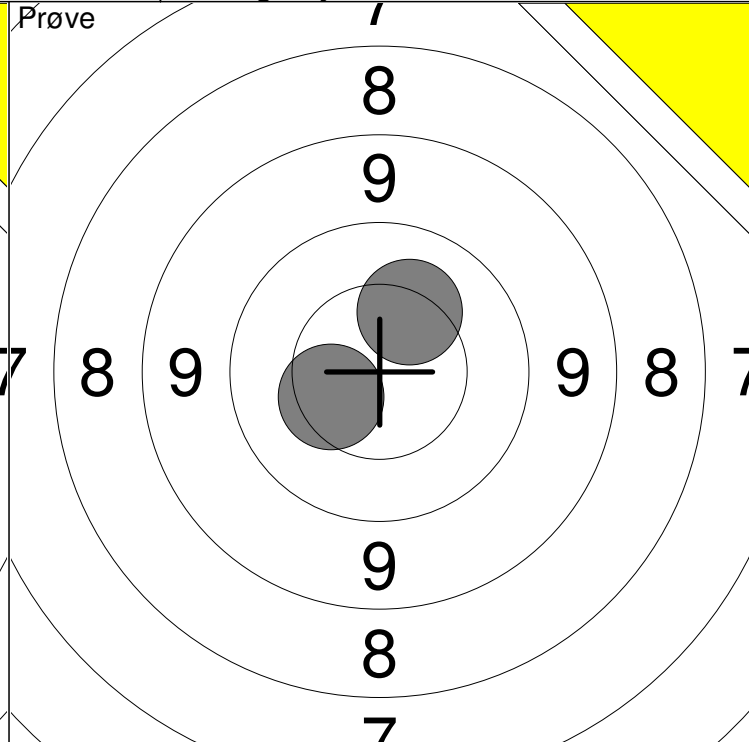
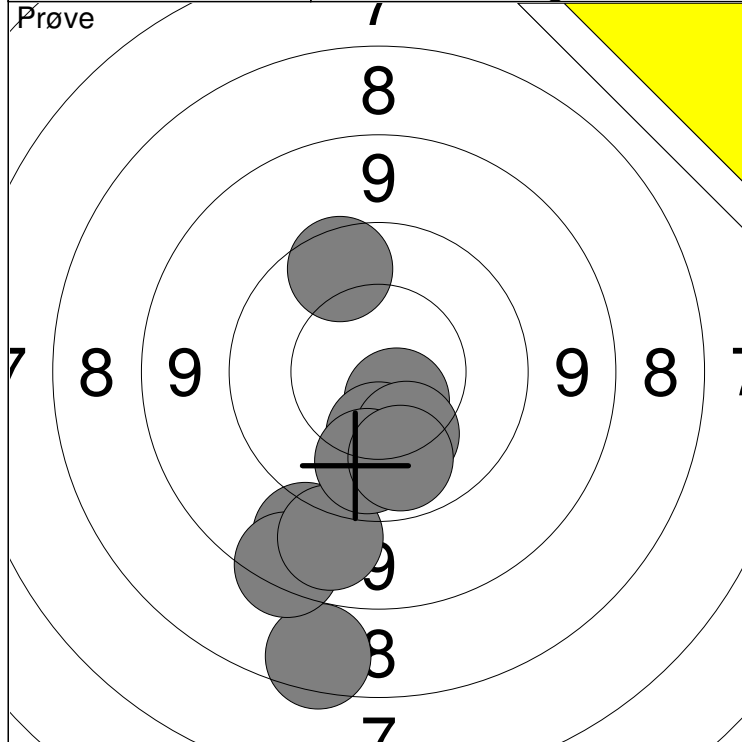
1:	9.7	↙
2:	10.5	↙
3:	9.9	↙
4:	*10.8	↘
5:	10.3	↙
6:	*10.6	↘
Serie		58.0
Total		0.0



1:	10.4	↘
2:	10.2	↙
3:	10.4	↘
4:	10.3	↙
5:	10.1	↙
6:	*10.7	↘
7:	*10.7	↘
8:	10.3	↙
9:	9.8	↙
10:	*10.8	↑
Serie		99.0
Total		99.0

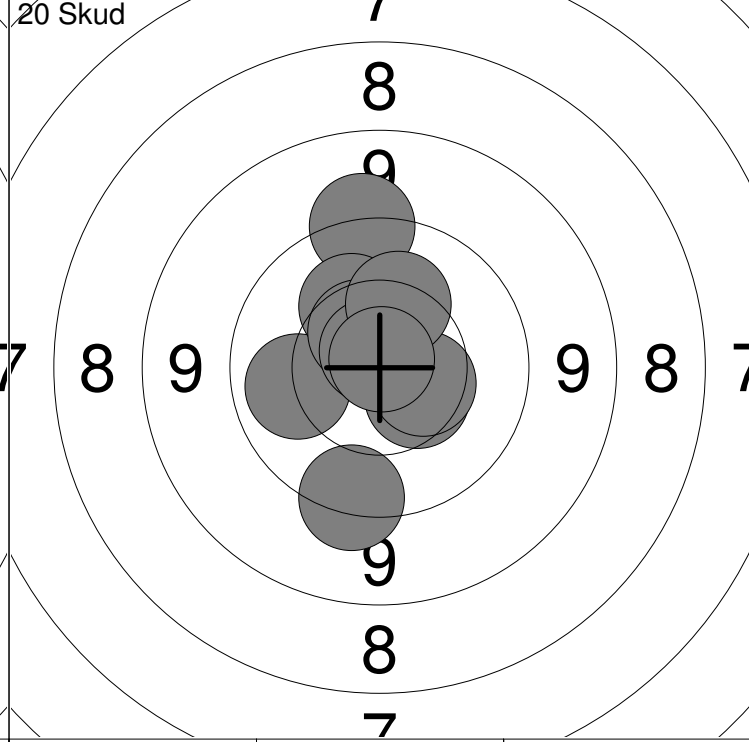
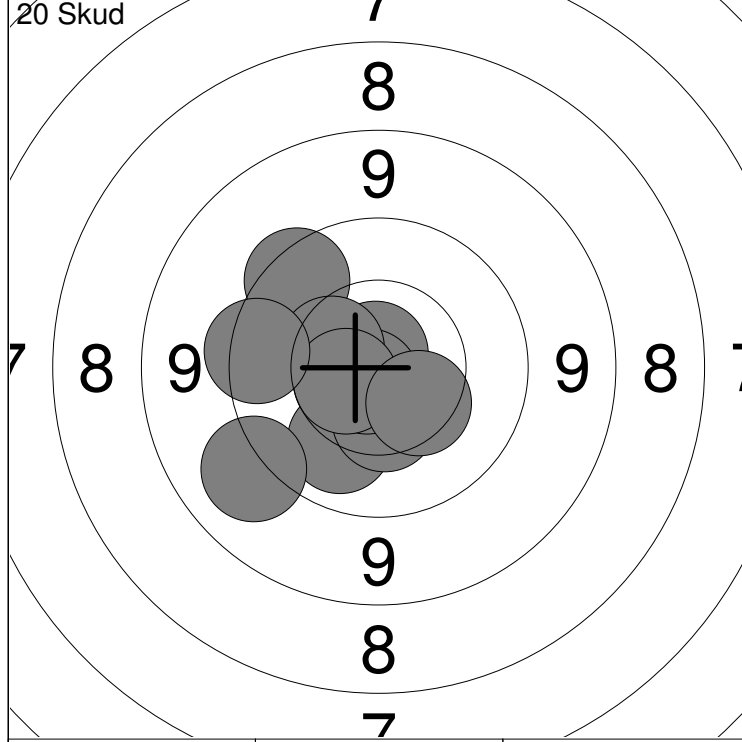


11:	10.6	↙
12:	10.3	↘
13:	10.6	↙
14:	*10.6	↑
15:	10.4	↙
16:	*10.9	↘
17:	*10.8	↑
18:	10.5	↙
19:	*10.6	↙
20:	*10.7	↑
Serie		100.0
Total		199.0



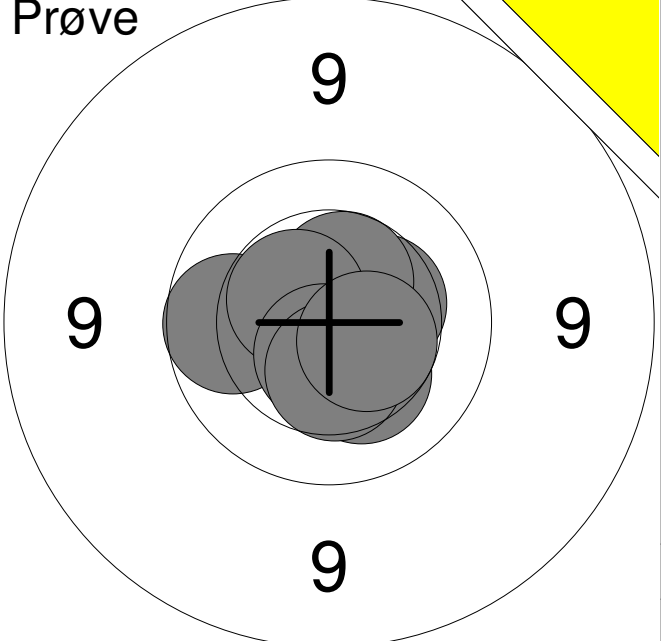
1: 9.0 ↓	6: 9.8 ↑	Serie	92.0
2: 7.7 ↓	7: 10.2 ↓		
3: *10.6 ↓	8: 9.1 ↓	Total	0.0
4: 8.6 ↓	9: 10.0 ↓		
5: 10.3 ↓	10: 10.0 ↓		

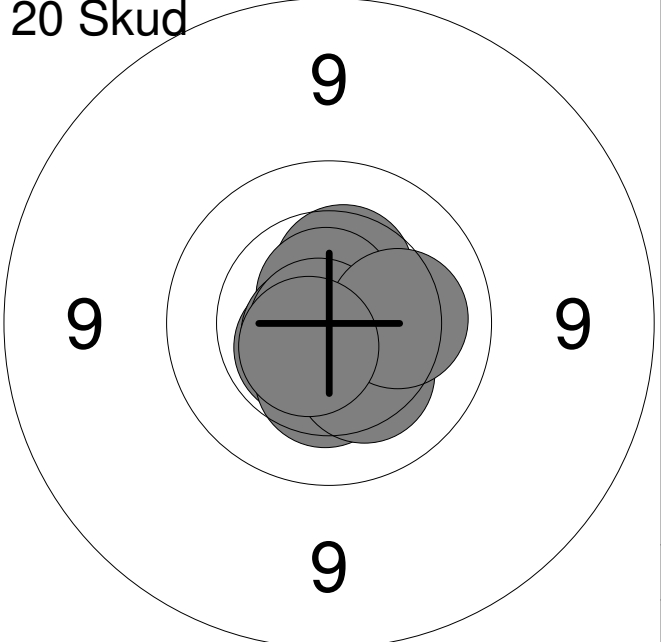
11: 10.3 ↑	Serie	20.0
12: 10.4 ↙		
Total		0.0

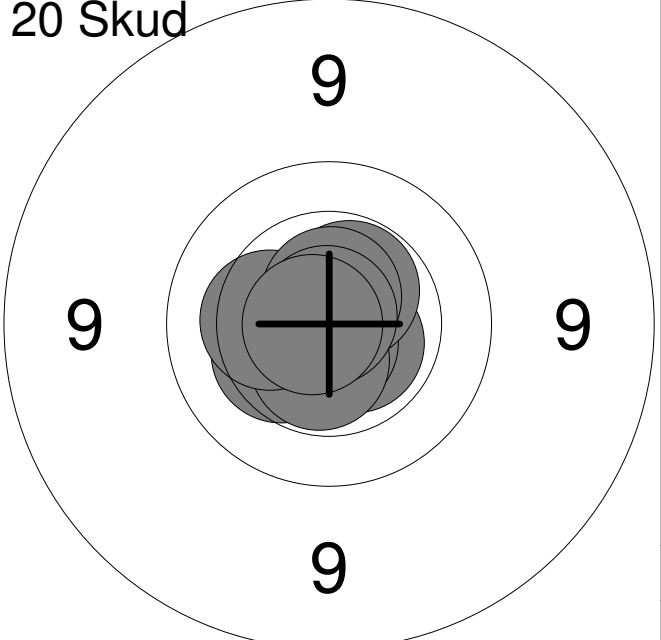


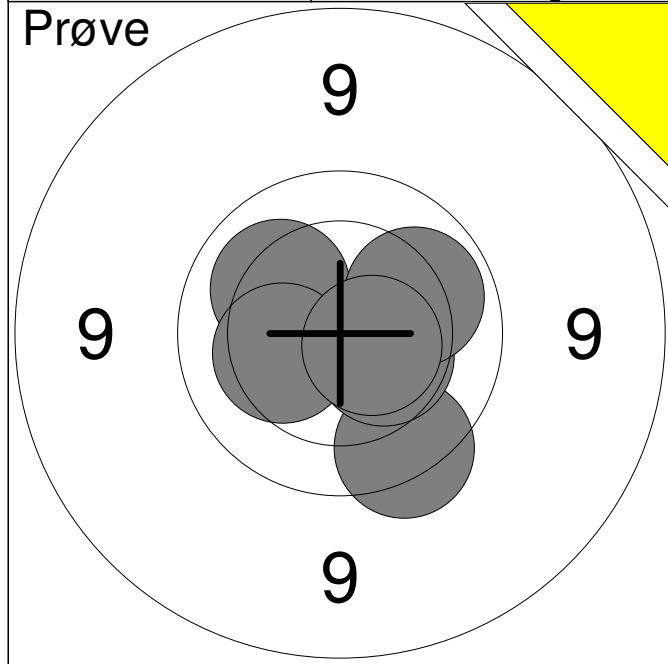
1: 10.1 ↓	6: 10.4 ↙	Serie	97.0
2: 10.4 ↓	7: 10.6 ↙		
3: 9.7 ↗	8: 9.7 ↙	Total	97.0
4: *10.8 ↑	9: 10.4 ↓		
5: *10.8 ↙	10: 9.2 ↙		

11: 10.1 ↙	16: 10.5 ↗	Serie	98.0
12: 9.4 ↑	17: *10.8 ↗		
13: 10.3 ↗	18: 9.5 ↓	Total	195.0
14: 10.5 ↘	19: 10.3 ↑		
15: 10.5 ↘	20: *10.9 ↑		

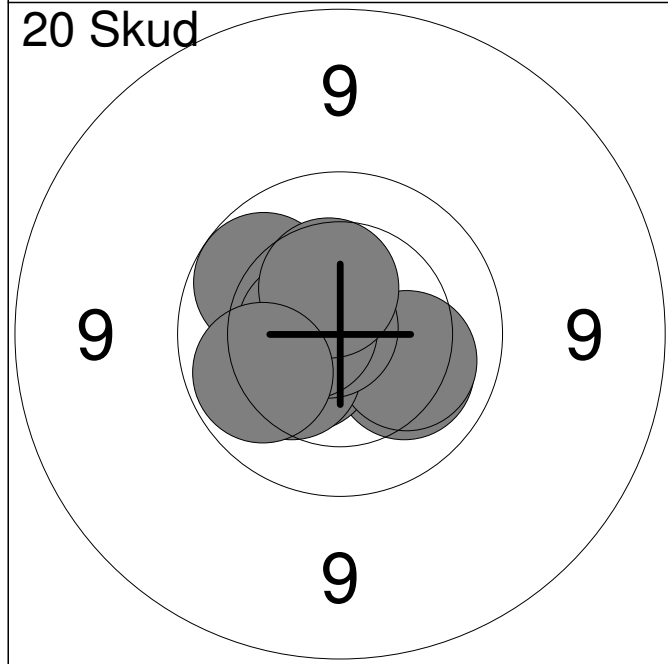
<p>Prøve</p> 	<table style="width:100%; border-collapse: collapse;"> <tr><td style="width:5%;">1:</td><td style="width:15%;">10.4</td><td style="width:10%; text-align: right;">→</td></tr> <tr><td>2:</td><td>*10.8</td><td style="text-align: right;">↓</td></tr> <tr><td>3:</td><td>10.5</td><td style="text-align: right;">↑</td></tr> <tr><td>4:</td><td>9.9</td><td style="text-align: right;">←</td></tr> <tr><td>5:</td><td>10.3</td><td style="text-align: right;">↓</td></tr> <tr><td>6:</td><td>*10.5</td><td style="text-align: right;">↗</td></tr> <tr><td>7:</td><td>*10.6</td><td style="text-align: right;">↓</td></tr> <tr><td>8:</td><td>10.4</td><td style="text-align: right;">↓</td></tr> <tr><td>9:</td><td>*10.5</td><td style="text-align: right;">↘</td></tr> </table> <table border="1" style="width:100%; border-collapse: collapse; margin-top: 5px;"> <tr> <td style="width:80%;">Serie</td> <td style="text-align: right;">89.0</td> </tr> <tr> <td>Total</td> <td style="text-align: right;">0.0</td> </tr> </table>	1:	10.4	→	2:	*10.8	↓	3:	10.5	↑	4:	9.9	←	5:	10.3	↓	6:	*10.5	↗	7:	*10.6	↓	8:	10.4	↓	9:	*10.5	↘	Serie	89.0	Total	0.0
1:	10.4	→																														
2:	*10.8	↓																														
3:	10.5	↑																														
4:	9.9	←																														
5:	10.3	↓																														
6:	*10.5	↗																														
7:	*10.6	↓																														
8:	10.4	↓																														
9:	*10.5	↘																														
Serie	89.0																															
Total	0.0																															

<p>20 Skud</p> 	<table style="width:100%; border-collapse: collapse;"> <tr><td style="width:5%;">1:</td><td style="width:15%;">10.4</td><td style="width:10%; text-align: right;">↑</td></tr> <tr><td>2:</td><td>*10.6</td><td style="text-align: right;">↙</td></tr> <tr><td>3:</td><td>*10.7</td><td style="text-align: right;">↓</td></tr> <tr><td>4:</td><td>10.4</td><td style="text-align: right;">↓</td></tr> <tr><td>5:</td><td>*10.7</td><td style="text-align: right;">↑</td></tr> <tr><td>6:</td><td>*10.7</td><td style="text-align: right;">↙</td></tr> <tr><td>7:</td><td>10.3</td><td style="text-align: right;">↓</td></tr> <tr><td>8:</td><td>*10.8</td><td style="text-align: right;">↙</td></tr> <tr><td>9:</td><td>10.2</td><td style="text-align: right;">→</td></tr> <tr><td>10:</td><td>*10.6</td><td style="text-align: right;">↙</td></tr> </table> <table border="1" style="width:100%; border-collapse: collapse; margin-top: 5px;"> <tr> <td style="width:80%;">Serie</td> <td style="text-align: right;">100.0</td> </tr> <tr> <td>Total</td> <td style="text-align: right;">100.0</td> </tr> </table>	1:	10.4	↑	2:	*10.6	↙	3:	*10.7	↓	4:	10.4	↓	5:	*10.7	↑	6:	*10.7	↙	7:	10.3	↓	8:	*10.8	↙	9:	10.2	→	10:	*10.6	↙	Serie	100.0	Total	100.0
1:	10.4	↑																																	
2:	*10.6	↙																																	
3:	*10.7	↓																																	
4:	10.4	↓																																	
5:	*10.7	↑																																	
6:	*10.7	↙																																	
7:	10.3	↓																																	
8:	*10.8	↙																																	
9:	10.2	→																																	
10:	*10.6	↙																																	
Serie	100.0																																		
Total	100.0																																		

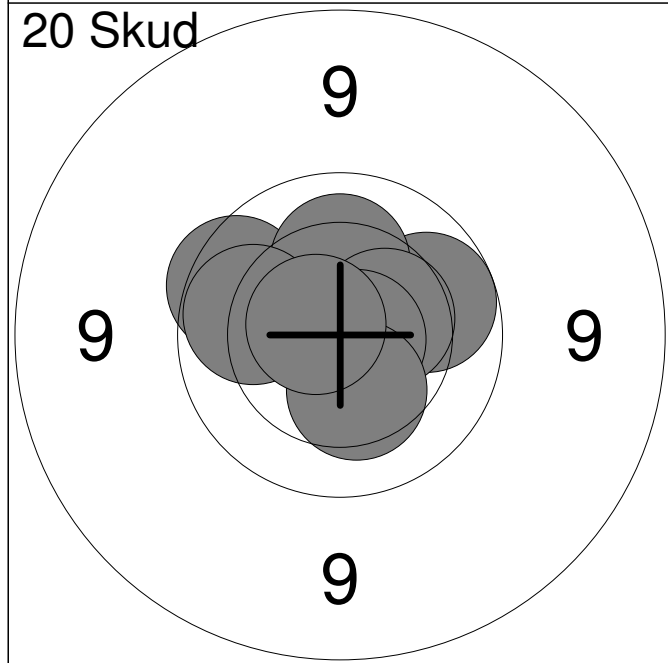
<p>20 Skud</p> 	<table style="width:100%; border-collapse: collapse;"> <tr><td style="width:5%;">11:</td><td style="width:15%;">*10.6</td><td style="width:10%; text-align: right;">↘</td></tr> <tr><td>12:</td><td>*10.8</td><td style="text-align: right;">↓</td></tr> <tr><td>13:</td><td>*10.5</td><td style="text-align: right;">↗</td></tr> <tr><td>14:</td><td>*10.8</td><td style="text-align: right;">↙</td></tr> <tr><td>15:</td><td>10.4</td><td style="text-align: right;">↙</td></tr> <tr><td>16:</td><td>*10.5</td><td style="text-align: right;">↓</td></tr> <tr><td>17:</td><td>10.3</td><td style="text-align: right;">←</td></tr> <tr><td>18:</td><td>*10.7</td><td style="text-align: right;">↑</td></tr> <tr><td>19:</td><td>*10.9</td><td style="text-align: right;">↑</td></tr> <tr><td>20:</td><td>*10.8</td><td style="text-align: right;">←</td></tr> </table> <table border="1" style="width:100%; border-collapse: collapse; margin-top: 5px;"> <tr> <td style="width:80%;">Serie</td> <td style="text-align: right;">100.0</td> </tr> <tr> <td>Total</td> <td style="text-align: right;">200.0</td> </tr> </table>	11:	*10.6	↘	12:	*10.8	↓	13:	*10.5	↗	14:	*10.8	↙	15:	10.4	↙	16:	*10.5	↓	17:	10.3	←	18:	*10.7	↑	19:	*10.9	↑	20:	*10.8	←	Serie	100.0	Total	200.0
11:	*10.6	↘																																	
12:	*10.8	↓																																	
13:	*10.5	↗																																	
14:	*10.8	↙																																	
15:	10.4	↙																																	
16:	*10.5	↓																																	
17:	10.3	←																																	
18:	*10.7	↑																																	
19:	*10.9	↑																																	
20:	*10.8	←																																	
Serie	100.0																																		
Total	200.0																																		



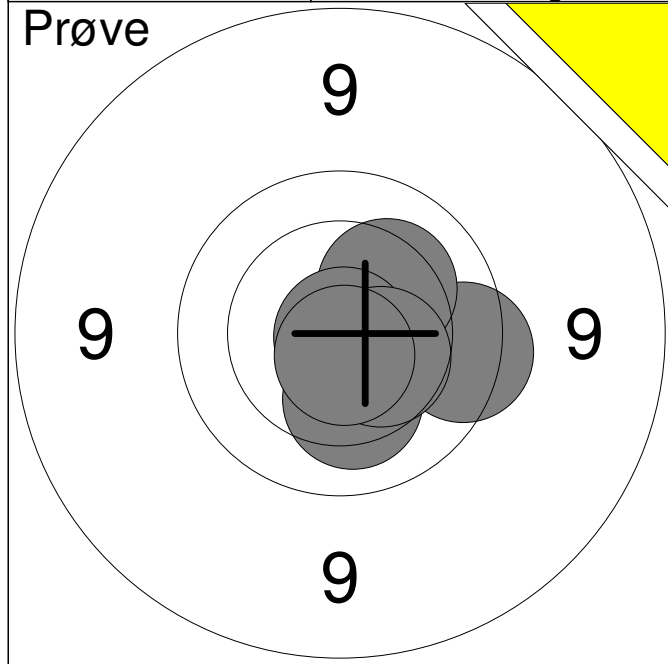
1:	9.7	↘
2:	10.4	↘
3:	10.2	↗
4:	10.3	↖
5:	10.1	↗
6:	*10.6	↘
Serie		59.0
Total		0.0



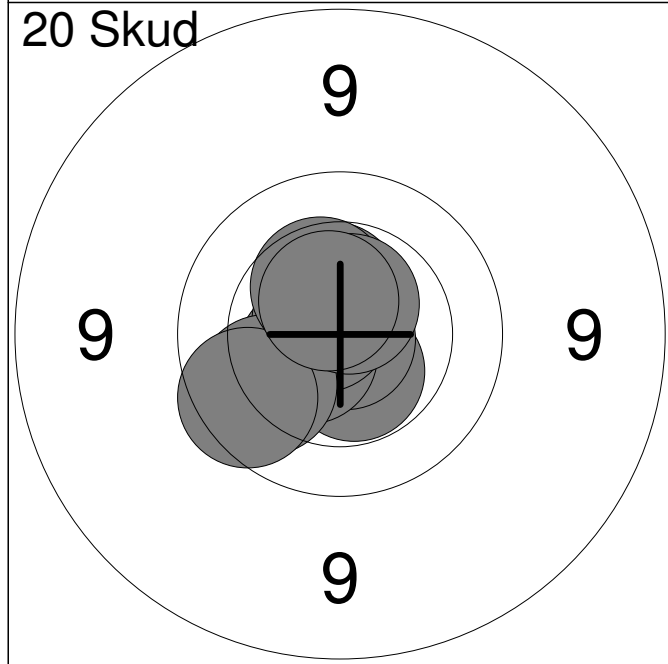
1:	10.2	↘
2:	10.5	↖
3:	10.2	↘
4:	10.3	↖
5:	*10.6	↗
6:	*10.8	↗
7:	10.0	↗
8:	*10.6	↖
9:	10.4	↗
10:	10.0	↖
Serie		100.0
Total		100.0



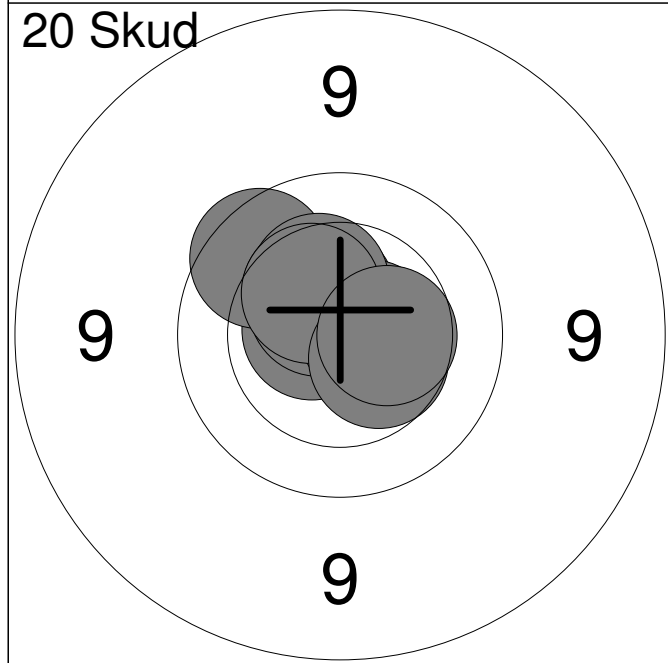
11:	*10.6	↖
12:	10.0	↘
13:	9.8	↖
14:	*10.6	↗
15:	10.2	↗
16:	10.4	↘
17:	*10.8	↘
18:	10.0	↖
19:	10.3	↘
20:	*10.7	↖
Serie		99.0
Total		199.0



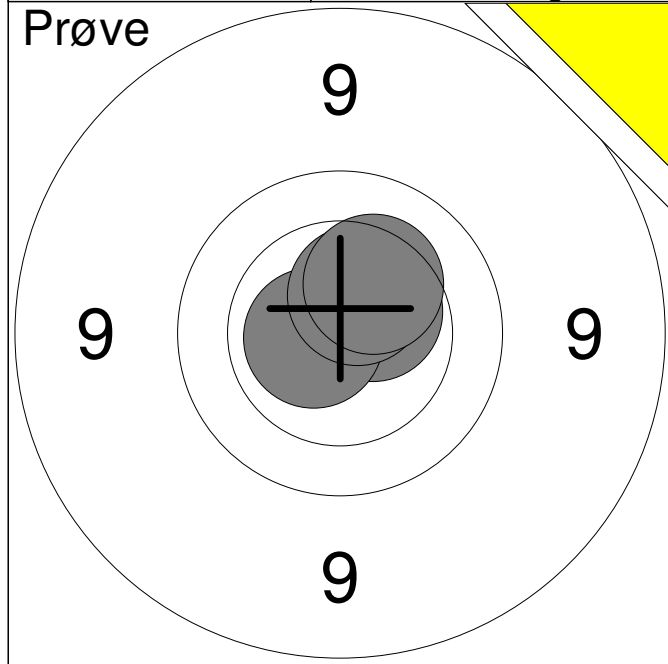
1:	9.8	→
2:	10.3	↗
3:	10.2	↓
4:	*10.9	↘
5:	10.4	↘
6:	*10.7	↓
Serie		59.0
Total		0.0



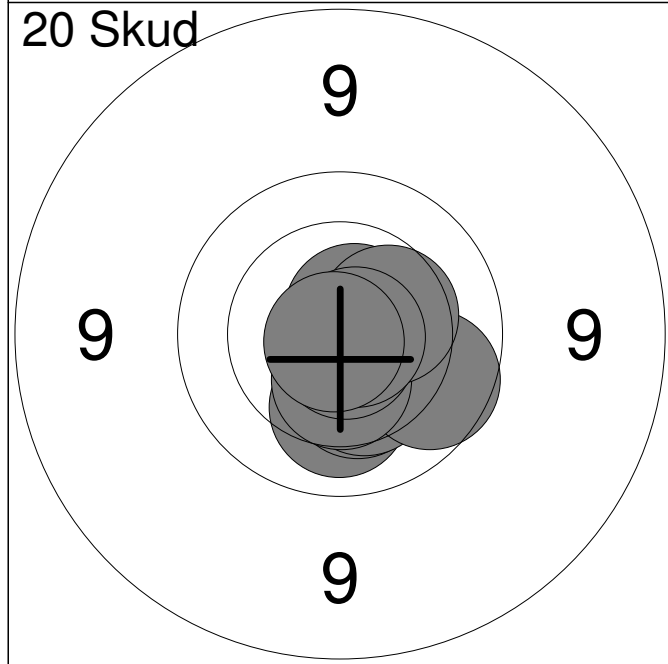
1:	10.5	↑
2:	*10.5	↓
3:	*10.9	↘
4:	*10.5	↖
5:	*10.7	↗
6:	10.0	↖
7:	9.8	↖
8:	10.4	↗
9:	*10.6	↗
10:	*10.6	↗
Serie		99.0
Total		99.0



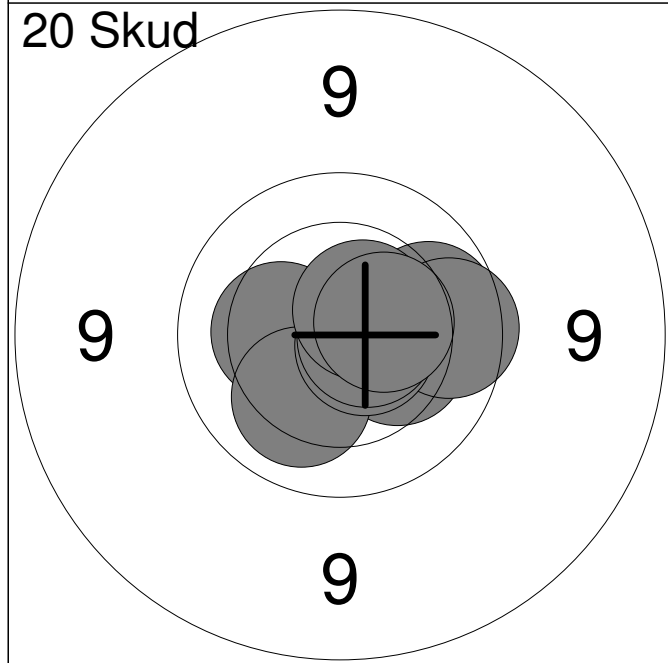
11:	*10.6	↖
12:	*10.6	↗
13:	10.5	↗
14:	9.8	↗
15:	10.4	↗
16:	*10.6	→
17:	10.3	↗
18:	10.4	↗
19:	10.5	↓
20:	10.4	→
Serie		99.0
Total		198.0



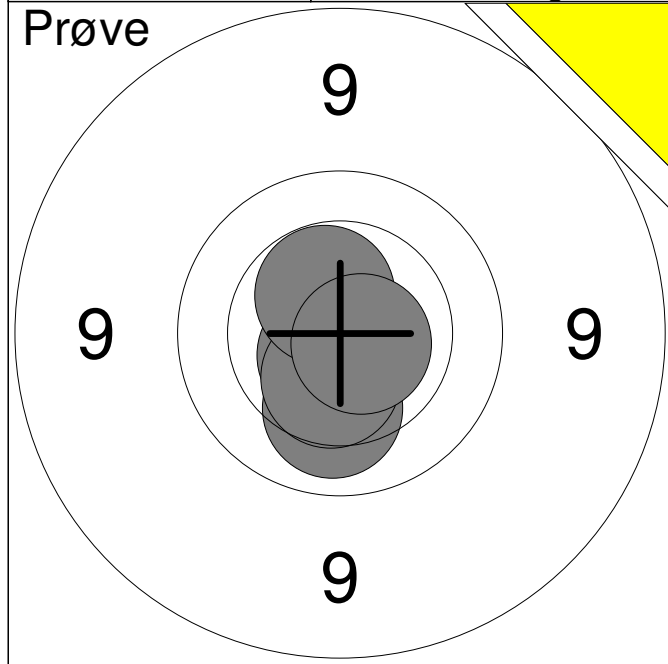
1:	*10.5	↗
2:	*10.7	←
3:	*10.5	↗
4:	10.3	↗
Serie		40.0
Total		0.0



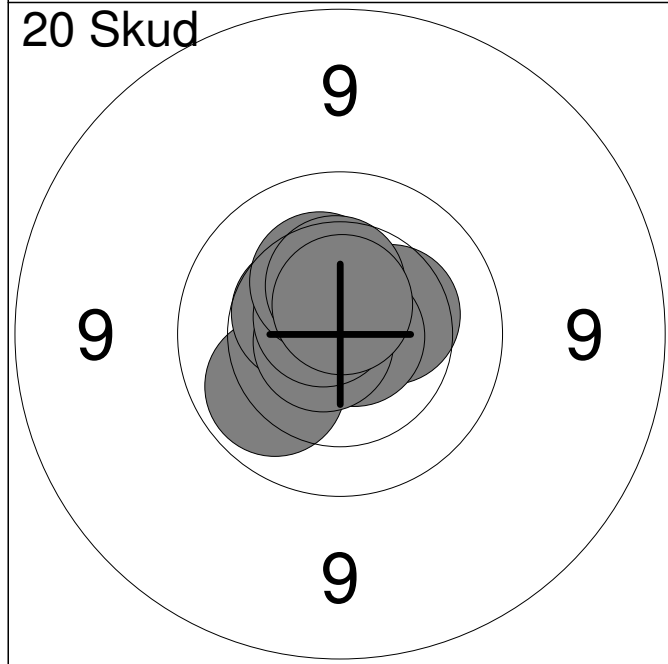
1:	*10.7	↗
2:	10.2	↓
3:	10.3	↓
4:	10.3	↓
5:	9.9	↘
6:	10.5	↓
7:	*10.8	↓
8:	10.4	→
9:	*10.8	→
10:	*10.8	↙
Serie		99.0
Total		99.0



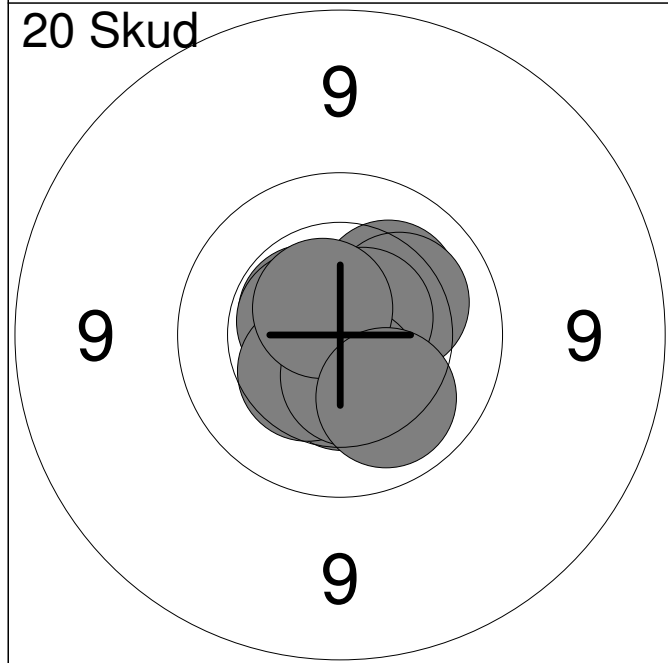
11:	*10.7	↙
12:	10.3	←
13:	10.3	→
14:	10.0	→
15:	9.8	→
16:	10.2	↙
17:	*10.7	→
18:	*10.7	→
19:	*10.6	↗
20:	10.5	→
Serie		99.0
Total		198.0



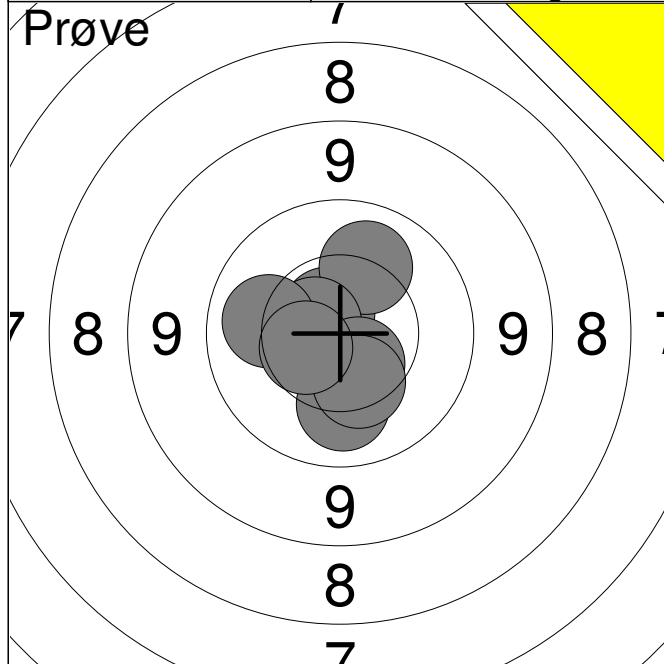
1:	10.1	↓
2:	*10.7	↙
3:	10.5	↘
4:	*10.5	↗
5:	*10.7	↘
Serie		50.0
Total		0.0



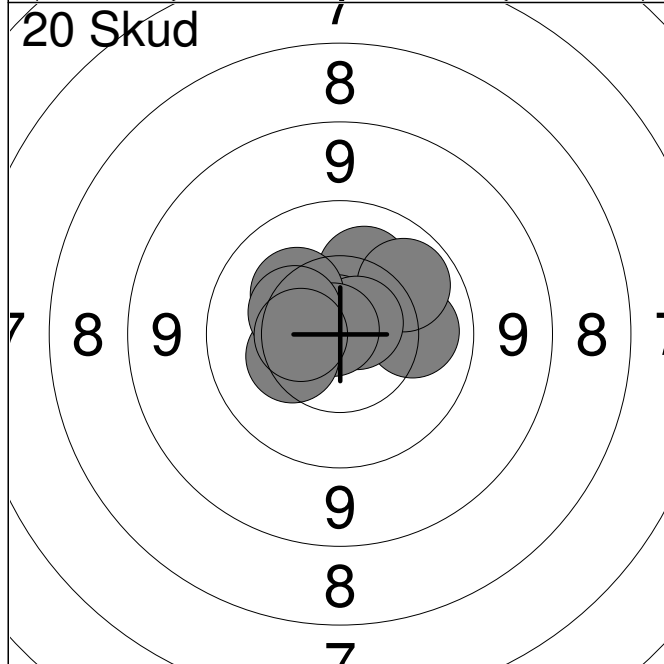
1:	*10.7	→
2:	10.1	↙
3:	10.4	→
4:	*10.8	→
5:	10.5	↗
6:	*10.8	↙
7:	*10.7	↗
8:	10.3	↗
9:	10.4	↑
10:	*10.6	↑
Serie		100.0
Total		100.0



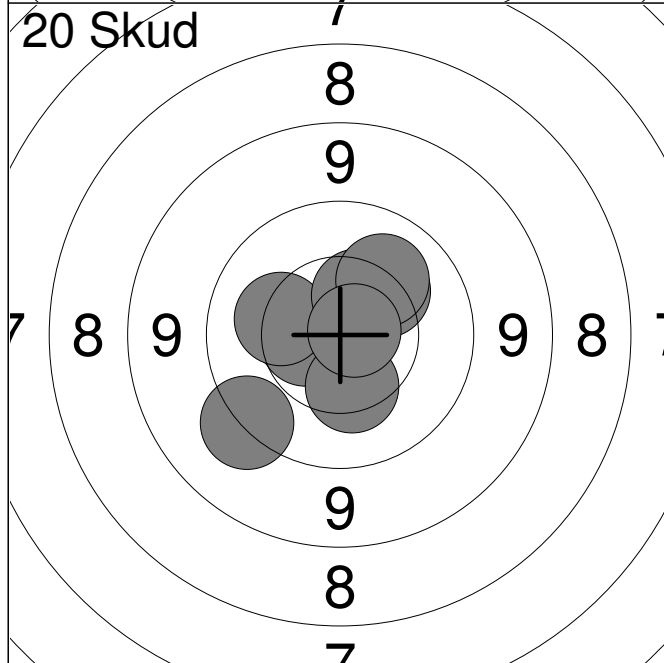
11:	*10.5	↖
12:	*10.6	↖
13:	10.2	↗
14:	10.2	↗
15:	10.5	↓
16:	*10.6	↗
17:	10.4	↙
18:	*10.5	↘
19:	*10.6	↗
20:	10.1	↘
Serie		100.0
Total		200.0



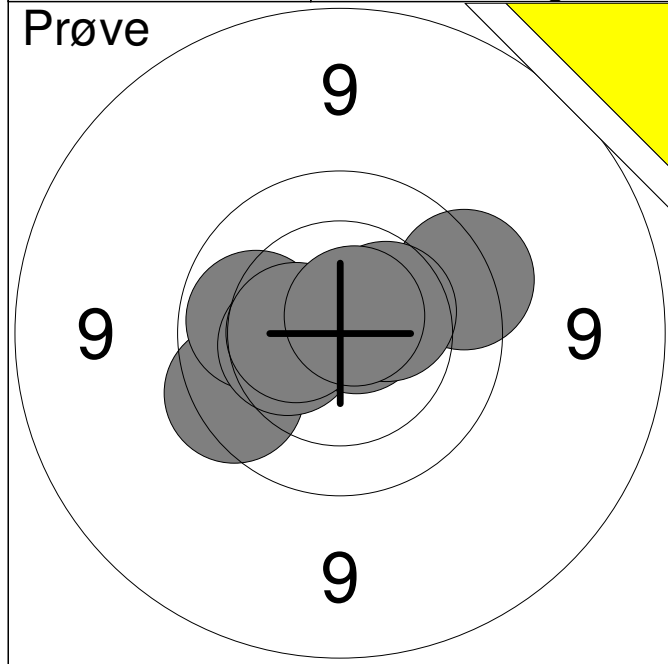
1:	*10.7	↗
2:	10.1	↗
3:	*10.6	↖
4:	10.5	↘
5:	10.1	↖
6:	10.1	↘
7:	10.3	↘
8:	10.5	↖
Serie		80.0
Total		0.0



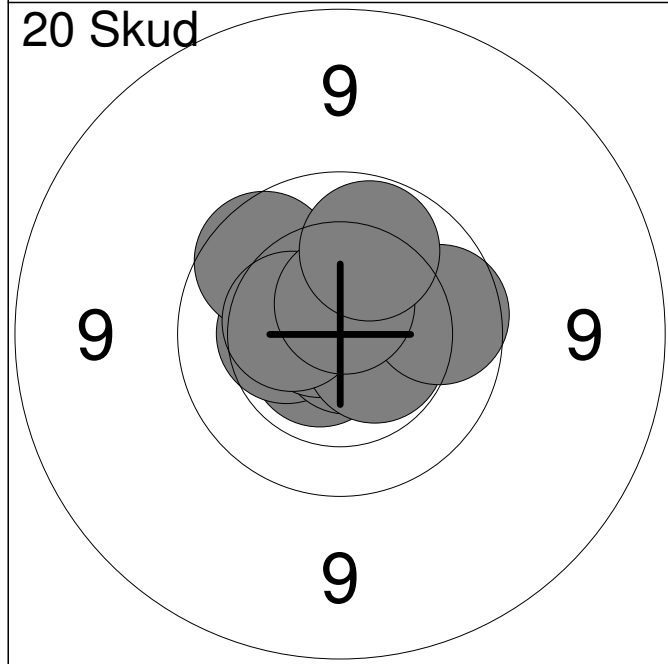
1:	10.1	→
2:	10.2	↗
3:	10.0	↗
4:	*10.8	↗
5:	*10.7	↗
6:	10.3	↗
7:	*10.8	↗
8:	10.3	↖
9:	10.4	↖
10:	10.5	↖
Serie		100.0
Total		100.0



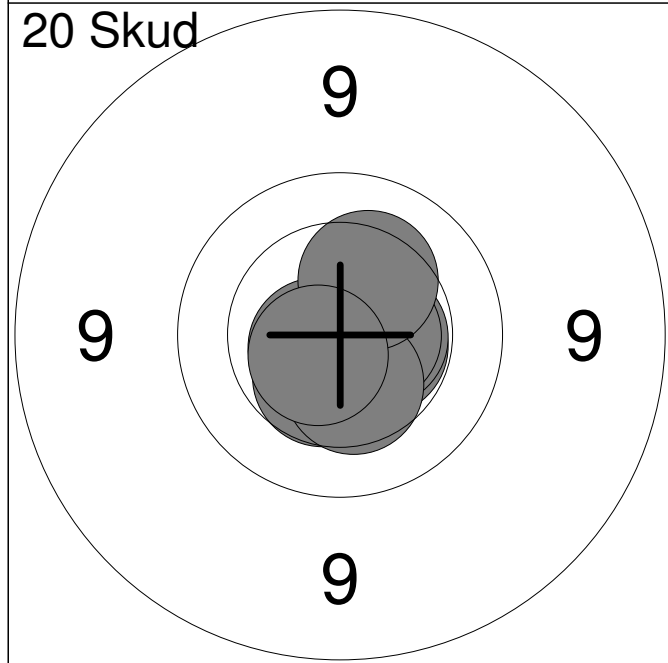
11:	9.4	↖
12:	10.4	↖
13:	*10.9	↘
14:	10.6	↖
15:	10.3	↘
16:	10.2	↖
17:	10.4	↗
18:	10.2	↗
19:	10.2	↗
20:	*10.8	→
Serie		99.0
Total		199.0



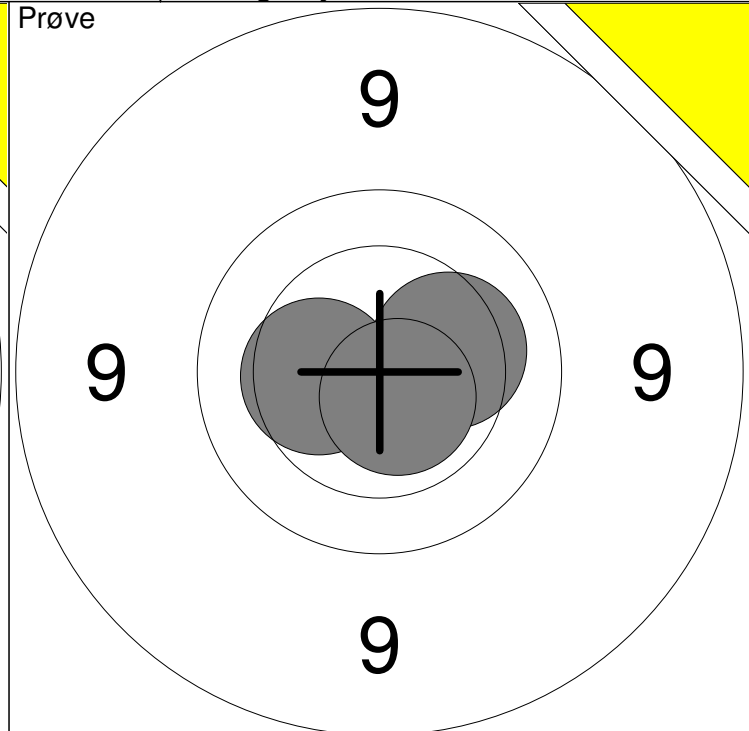
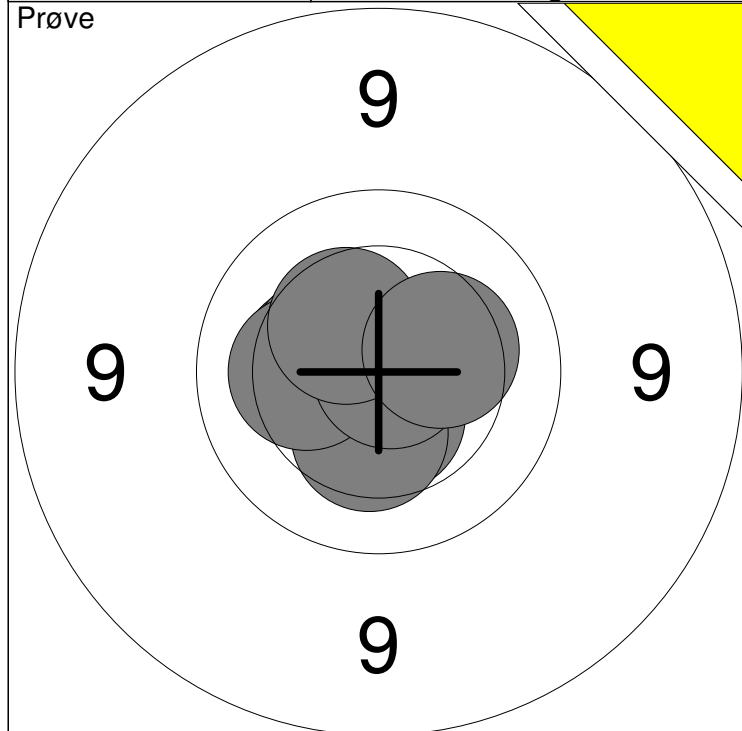
1:	9.8	↙
2:	10.0	←
3:	10.4	←
4:	*10.7	↗
5:	9.7	↗
6:	10.5	←
7:	10.4	↗
8:	*10.7	↗
Serie		78.0
Total		0.0



1:	*10.6	↙
2:	10.4	←
3:	9.9	↗
4:	*10.8	↘
5:	*10.7	↗
6:	*10.5	↘
7:	10.4	←
8:	9.9	→
9:	*10.6	↑
10:	10.0	↗
Serie		98.0
Total		98.0

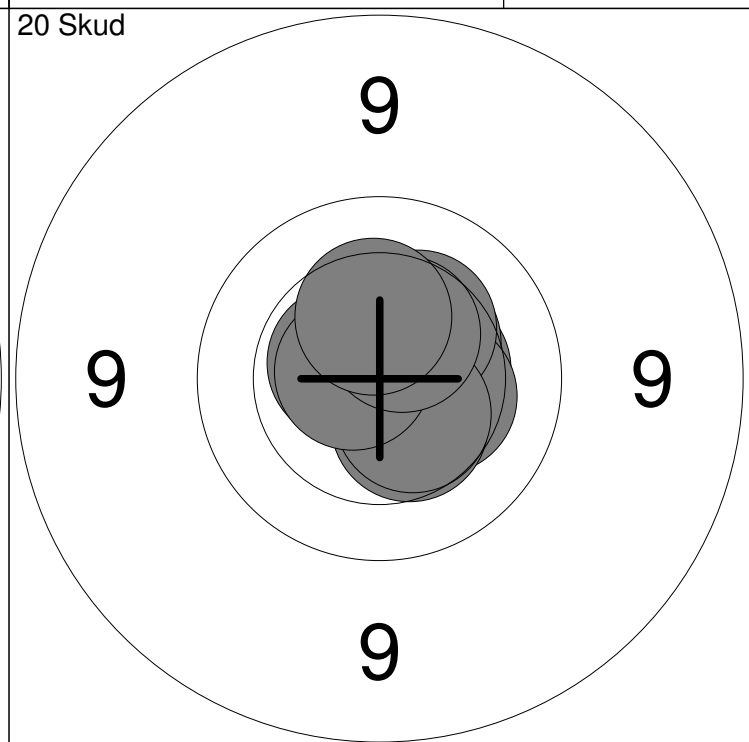
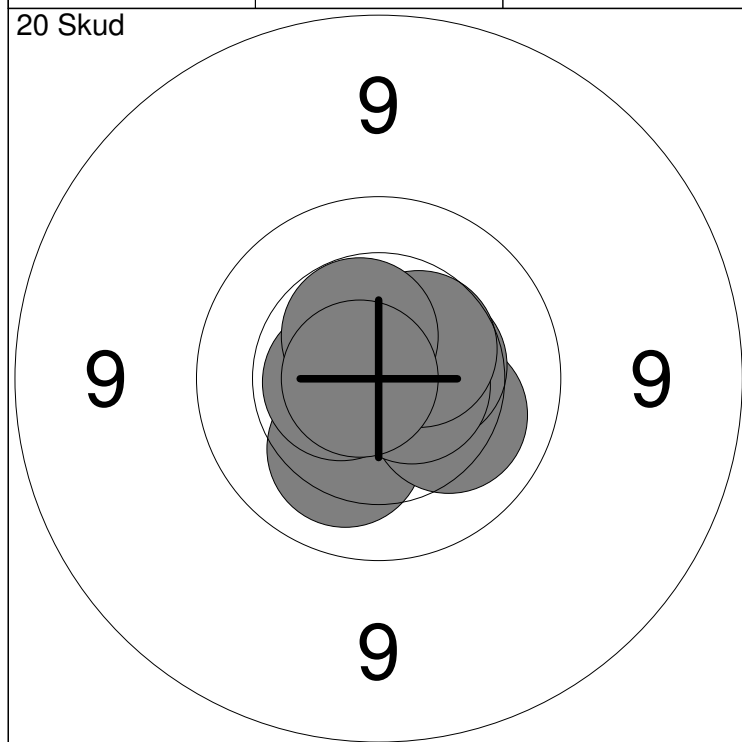


11:	*10.5	↘
12:	10.5	↘
13:	*10.5	→
14:	*10.7	↙
15:	*10.5	→
16:	*10.8	↘
17:	*10.6	→
18:	10.4	↘
19:	10.3	↗
20:	*10.6	↙
Serie		100.0
Total		198.0



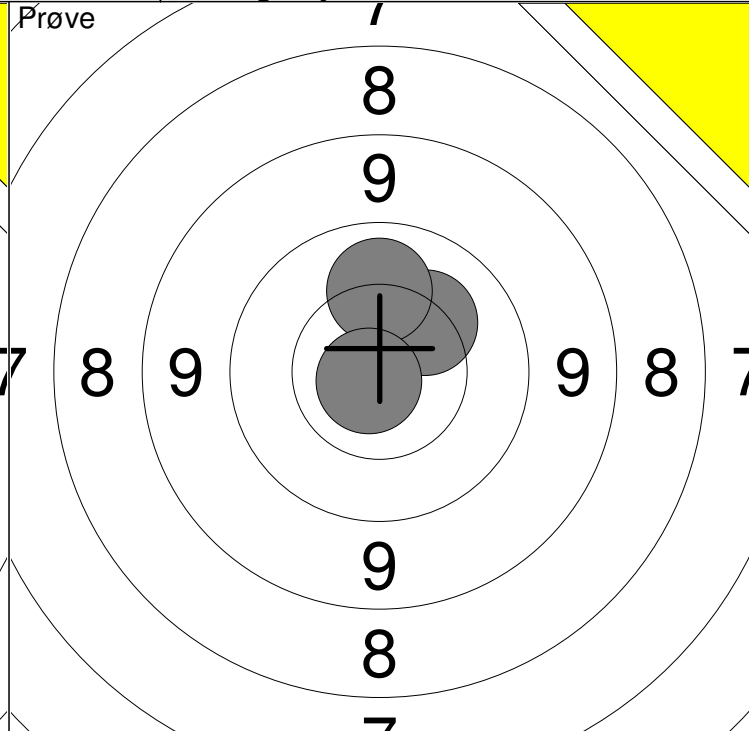
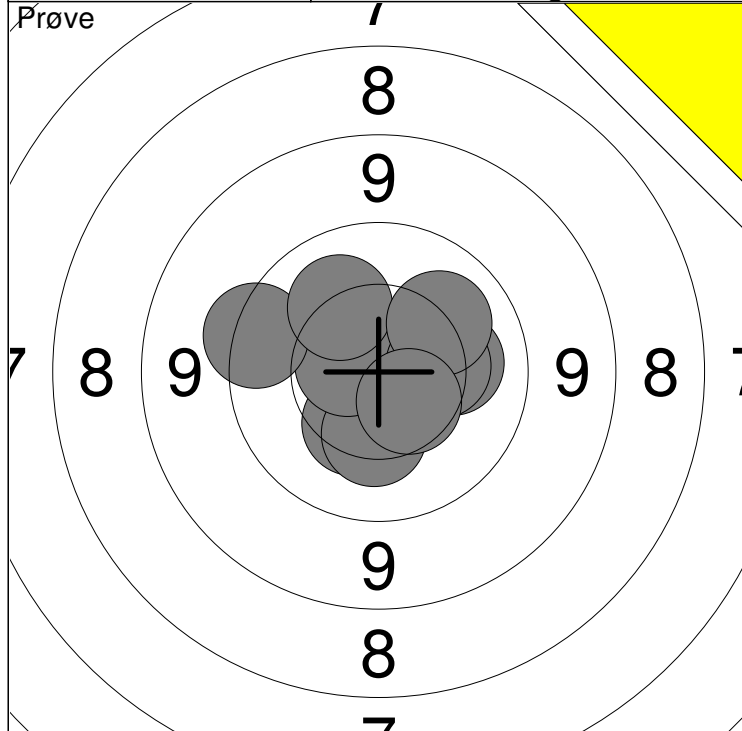
1: *10.5 ↓	6: 10.4 ↓	Serie 100.0
2: 10.3 ←	7: 10.3 ←	
3: *10.6 ↙	8: *10.8 →	Total 0.0
4: *10.5 ↖	9: 10.4 ↖	
5: 10.4 ←	10: 10.3 →	

11: 10.3 →	Serie 30.0
12: 10.4 ←	
13: *10.6 ↓	Total 0.0



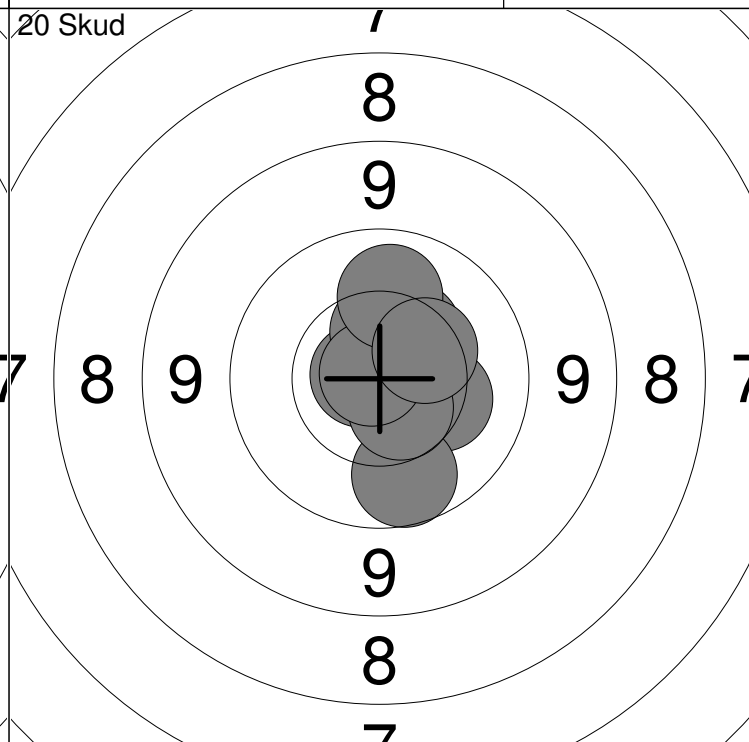
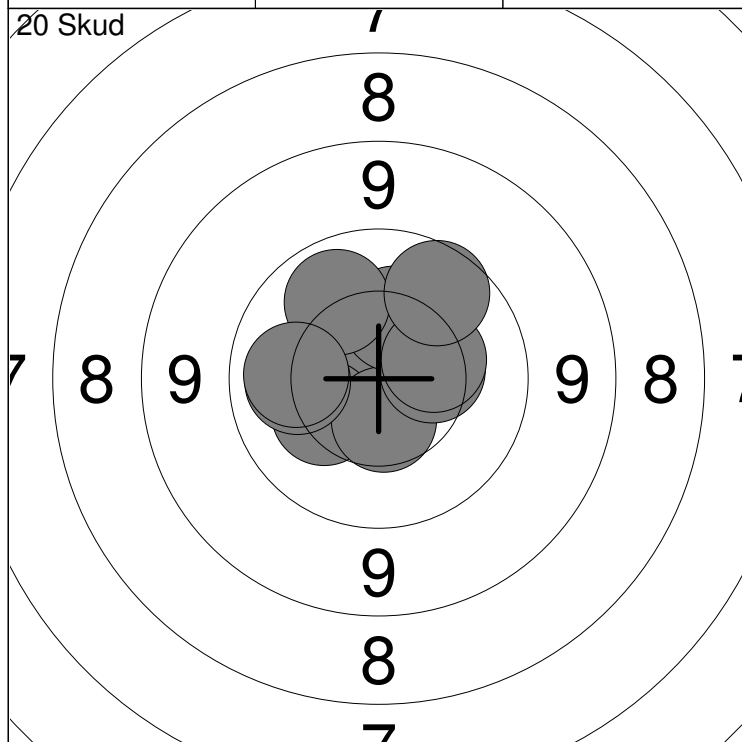
1: 10.2 ↓	6: *10.6 →	Serie 100.0
2: 10.2 →	7: *10.6 ←	
3: *10.8 ↑	8: 10.5 ↗	Total 100.0
4: 10.5 →	9: *10.5 ↖	
5: *10.7 →	10: *10.8 ←	

11: 10.4 →	16: 10.3 ↗	Serie 100.0
12: 10.4 ↗	17: 10.5 ↓	
13: *10.6 ↙	18: *10.7 ←	Total 200.0
14: 10.4 →	19: 10.5 ↗	
15: 10.4 ↓	20: 10.4 ↑	



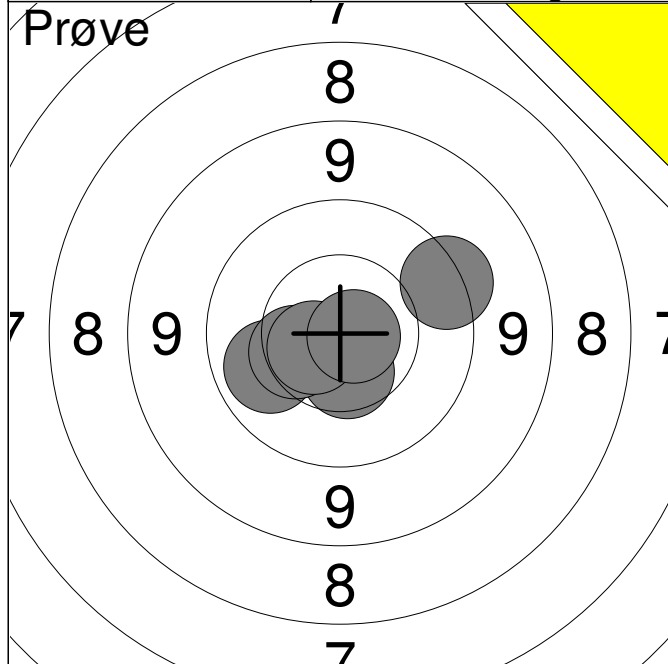
1: *10.8 ↘	6: 10.3 →	Serie	99.0
2: 10.2 →	7: 9.6 ←		
3: 10.4 ↓	8: 10.2 ↗	Total	0.0
4: 10.3 ↓	9: 10.2 ↗		
5: *10.6 ↙	10: 10.5 ↘		

11: 10.3 ↗	Serie	30.0
12: 10.1 ↑		
13: *10.8 ↙	Total	0.0

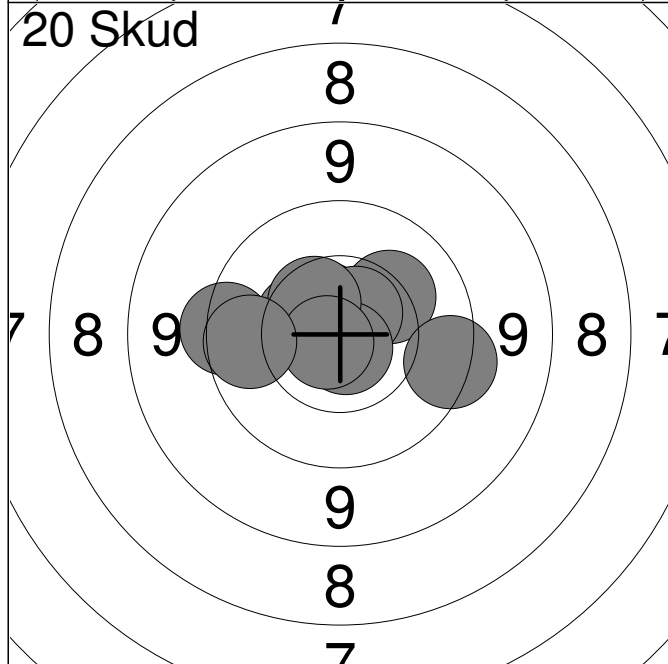


1: *10.6 ↙	6: 10.1 ←	Serie	99.0
2: 10.3 ↙	7: 10.1 ↗		
3: 10.5 ↓	8: 10.3 →	Total	99.0
4: 10.3 ↑	9: 9.9 ↗		
5: 10.4 →	10: 10.1 ←		

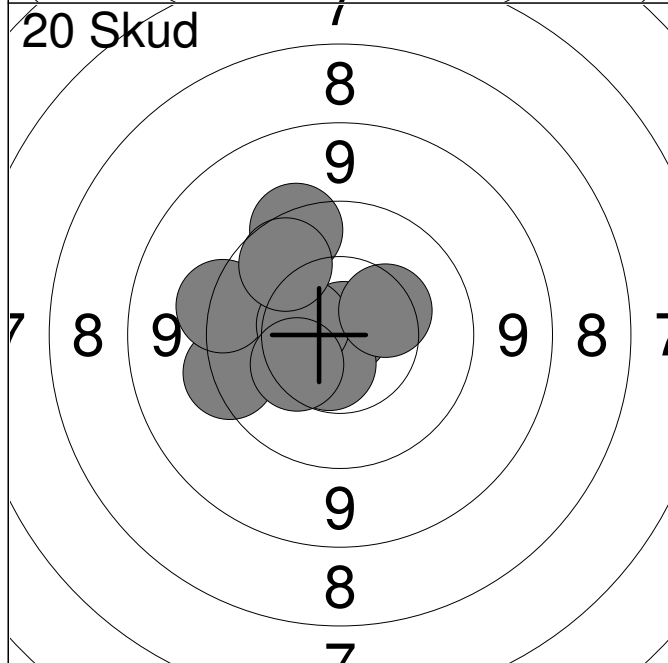
11: 10.4 ↗	16: 10.6 ↘	Serie	99.0
12: *10.8 ↙	17: 10.5 ↑		
13: *10.7 →	18: *10.9 ↙	Total	198.0
14: 10.3 →	19: 10.1 ↑		
15: 9.9 ↓	20: 10.4 ↗		



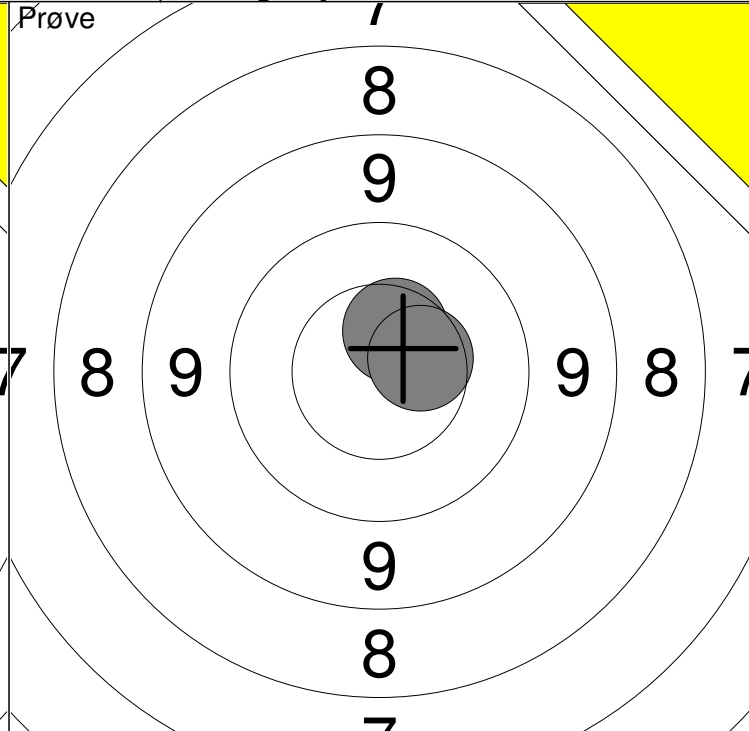
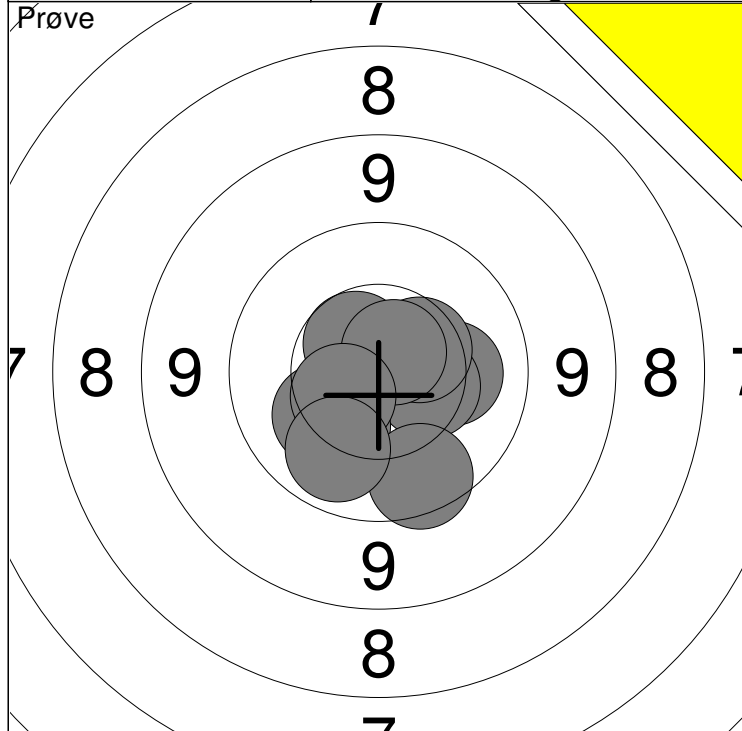
1:	9.6	↗
2:	10.1	↖
3:	10.5	↓
4:	10.4	↖
5:	*10.6	↖
6:	*10.8	↗
Serie		59.0
Total		0.0



1:	*10.6	↗
2:	10.5	↖
3:	10.2	↗
4:	9.6	↗
5:	*10.6	↗
6:	*10.8	↓
7:	10.5	↗
8:	9.6	↖
9:	*10.8	↖
10:	9.9	↖
Serie		97.0
Total		97.0

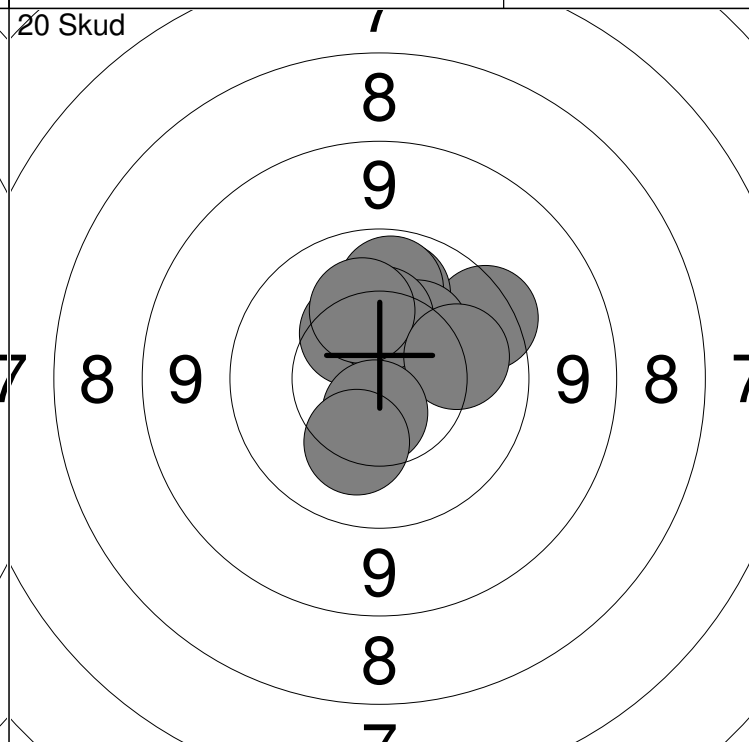
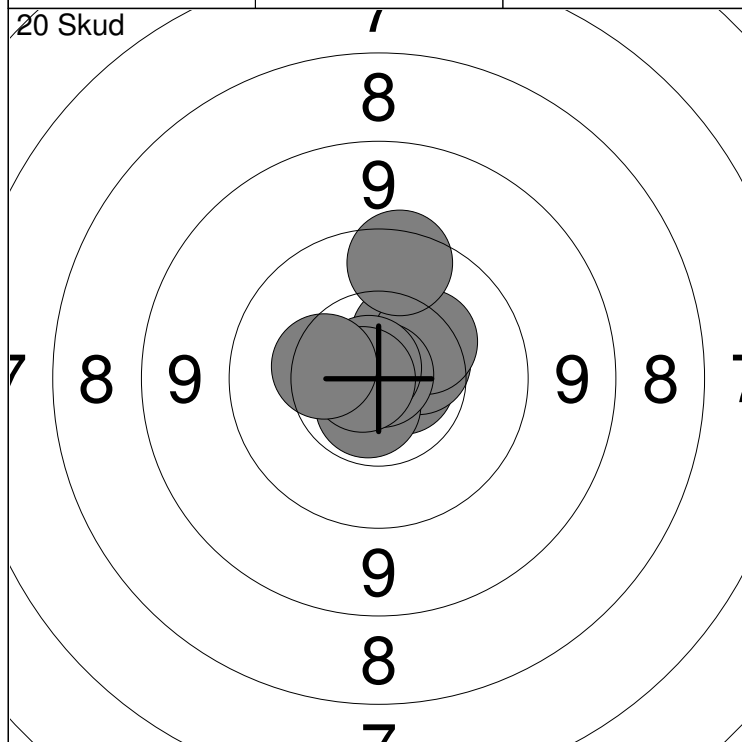


11:	9.6	↗
12:	*10.9	↗
13:	10.4	↖
14:	9.6	↖
15:	*10.6	↓
16:	9.5	↖
17:	10.5	↖
18:	10.3	↖
19:	9.9	↗
20:	10.4	↗
Serie		96.0
Total		193.0



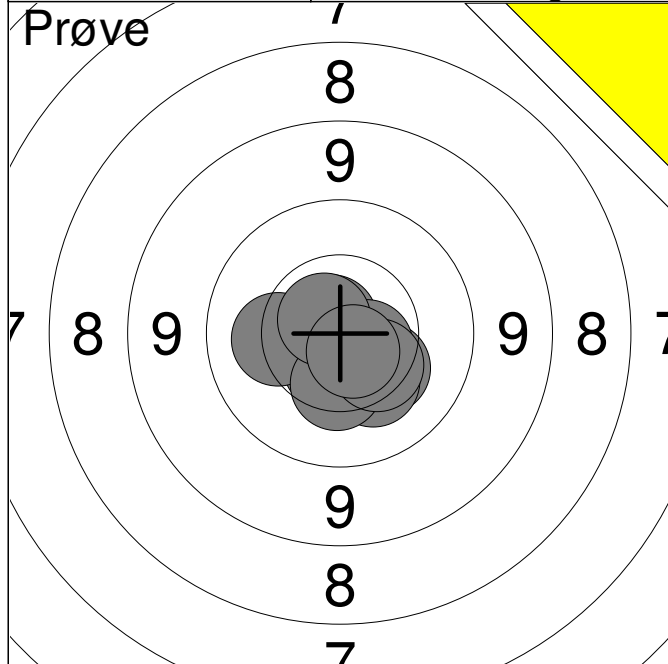
1: 10.6 ↗	6: 10.2 ↘	Serie 99.0
2: 10.2 →	7: 9.8 ↘	
3: 10.4 →	8: 10.2 ↘	Total 0.0
4: 10.5 ↗	9: 10.5 ↙	
5: *10.7 ↗	10: 10.0 ↘	

11: 10.5 ↗	Serie 20.0
12: 10.5 →	
	Total 0.0

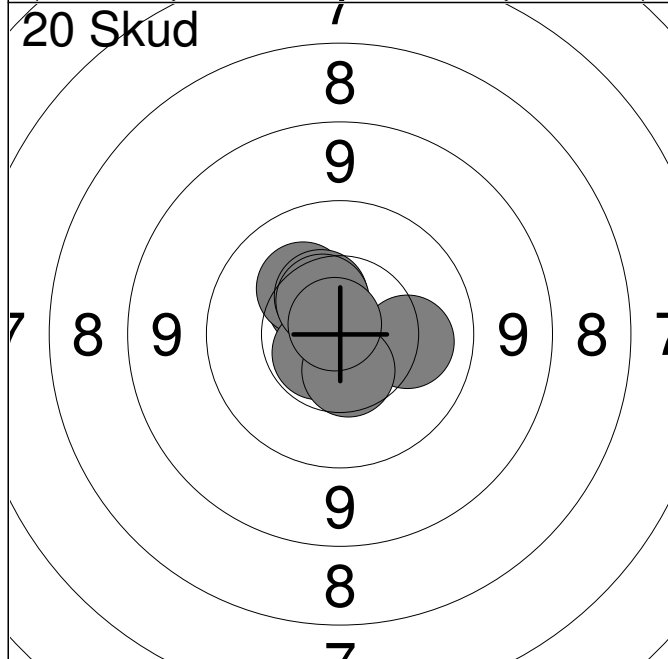


1: *10.7 →	6: *10.9 ↗	Serie 99.0
2: 10.5 →	7: *10.8 ↖	
3: *10.7 ↘	8: *10.8 ←	Total 99.0
4: 10.4 ↗	9: 9.7 ↗	
5: 10.3 ↗	10: 10.4 ←	

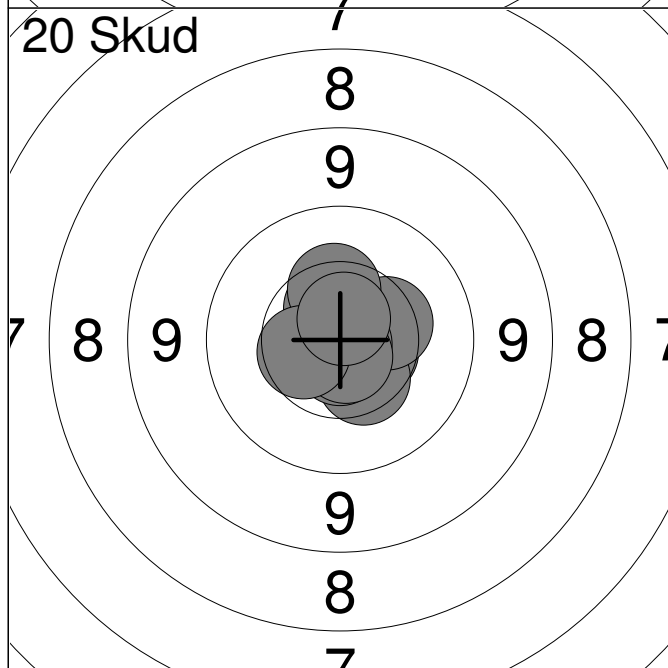
11: 9.7 ↗	16: 10.3 ↗	Serie 99.0
12: 10.1 ↗	17: 10.2 ↗	
13: 10.4 ↖	18: 10.1 →	Total 198.0
14: 10.0 ↗	19: *10.6 ↘	
15: 10.3 ↗	20: 10.3 ↘	



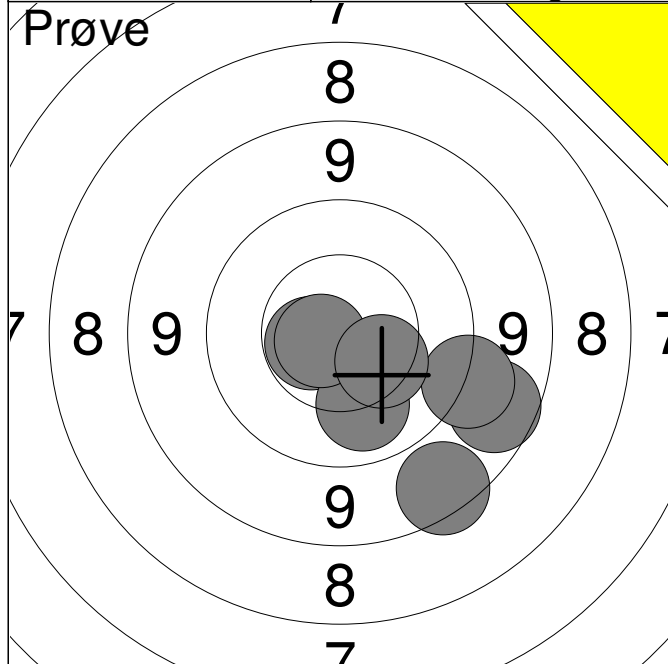
1:	*10.8	↗
2:	10.6	↘
3:	10.2	←
4:	10.3	↘
5:	10.3	↘
6:	*10.6	↘
7:	10.4	↘
8:	10.4	↘
9:	*10.7	↗
10:	*10.7	↘
Serie		100.0
Total		0.0



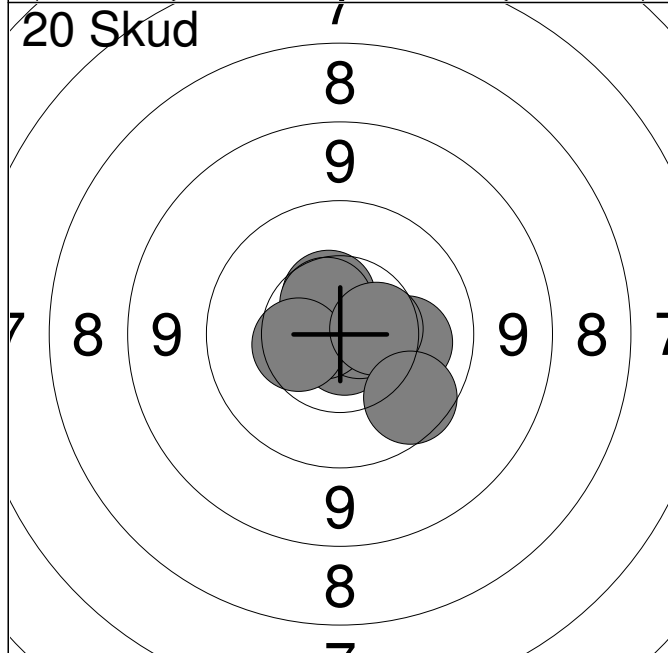
1:	*10.9	↗
2:	10.5	↗
3:	10.3	↗
4:	10.5	↗
5:	10.2	→
6:	*10.7	↘
7:	*10.6	↘
8:	10.5	↘
9:	10.5	↗
10:	*10.8	↗
Serie		100.0
Total		100.0



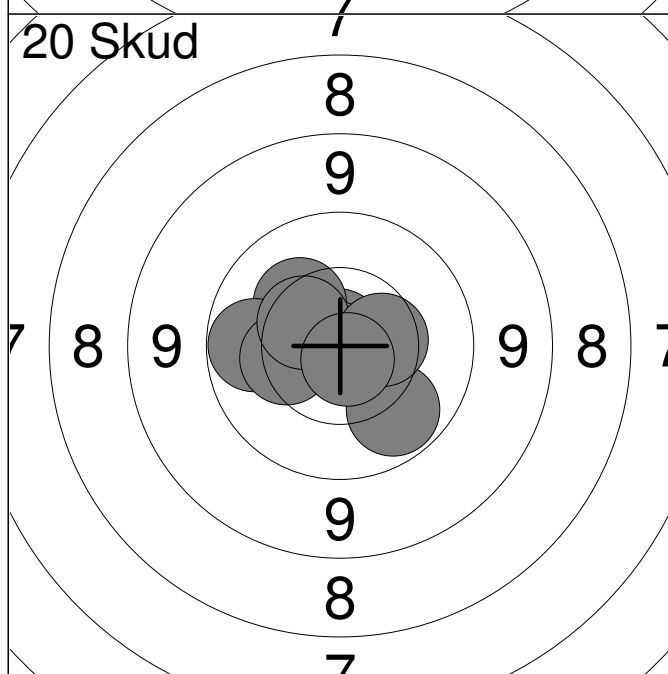
11:	10.6	↗
12:	10.6	→
13:	10.4	↘
14:	*10.7	↘
15:	10.4	→
16:	*10.9	↘
17:	10.4	↑
18:	*10.7	↘
19:	10.5	←
20:	*10.7	↑
Serie		100.0
Total		200.0



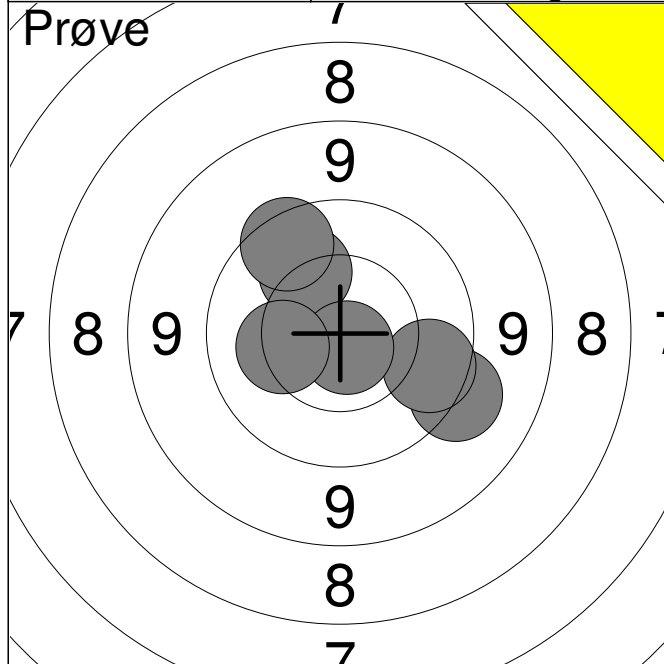
1:	8.9	↘
2:	8.7	↘
3:	*10.6	↙
4:	10.1	↘
5:	9.3	↘
6:	*10.7	↙
7:	10.4	↘
Serie		65.0
Total		0.0



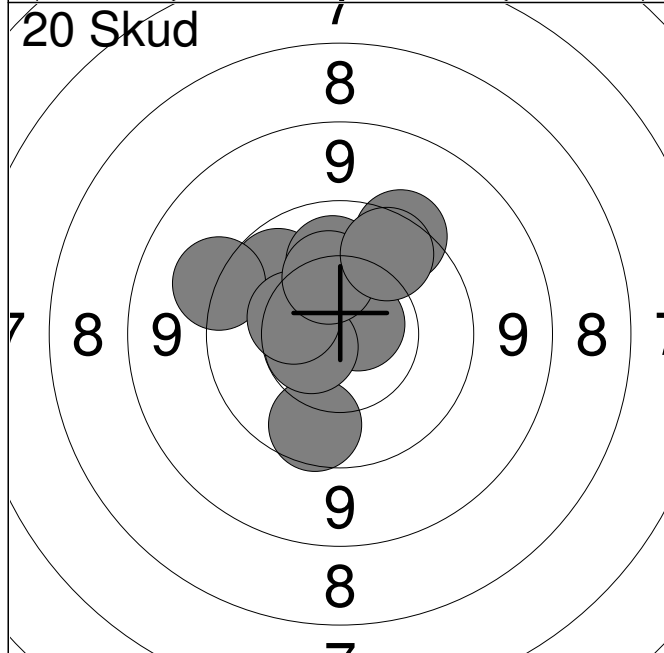
1:	*10.8	↘
2:	*10.7	→
3:	*10.7	↙
4:	10.5	↗
5:	10.2	→
6:	*10.7	↙
7:	10.6	↗
8:	10.5	↙
9:	10.5	→
10:	9.8	↘
Serie		99.0
Total		99.0



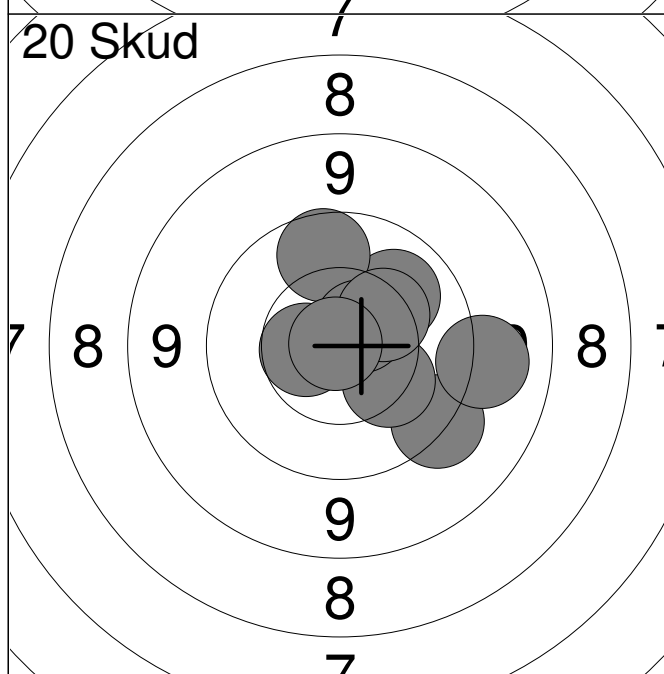
11:	*10.8	↗
12:	10.3	↗
13:	10.5	↙
14:	*10.9	↙
15:	10.0	↘
16:	10.0	↙
17:	10.3	↙
18:	10.4	↗
19:	10.5	→
20:	*10.8	↘
Serie		100.0
Total		199.0



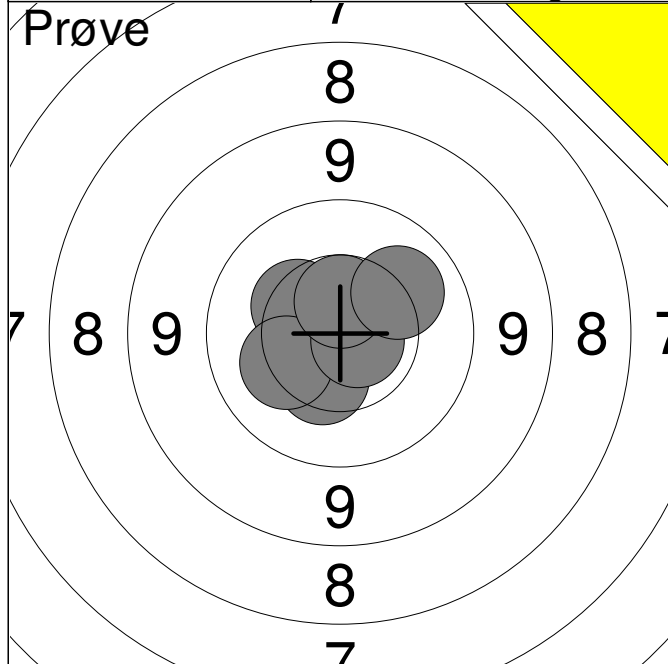
1:	9.4	↘
2:	9.8	↘
3:	10.1	↗
4:	9.7	↗
5:	*10.8	↘
6:	10.3	←
Serie		57.0
Total		0.0



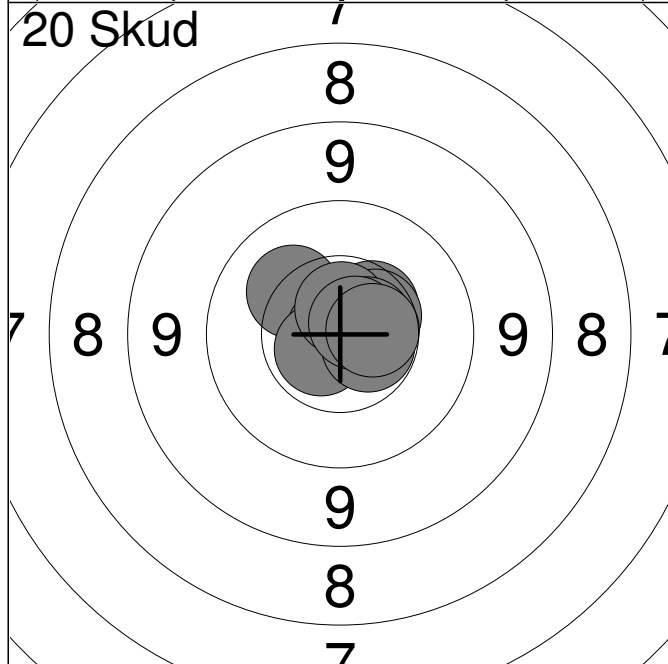
1:	10.0	↖
2:	*10.7	↗
3:	10.1	↑
4:	9.9	↓
5:	9.4	↖
6:	10.6	←
7:	10.4	↖
8:	10.3	↑
9:	9.6	↗
10:	9.9	↗
Serie		96.0
Total		96.0



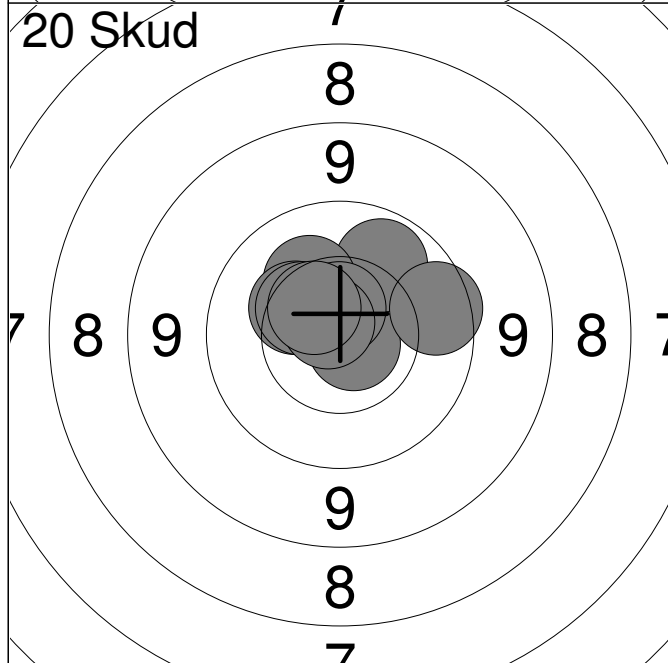
11:	10.1	↗
12:	9.5	↘
13:	10.6	←
14:	9.9	↑
15:	*10.7	↗
16:	10.3	↘
17:	9.2	→
18:	*10.6	↗
19:	10.3	↗
20:	*10.9	↖
Serie		97.0
Total		193.0



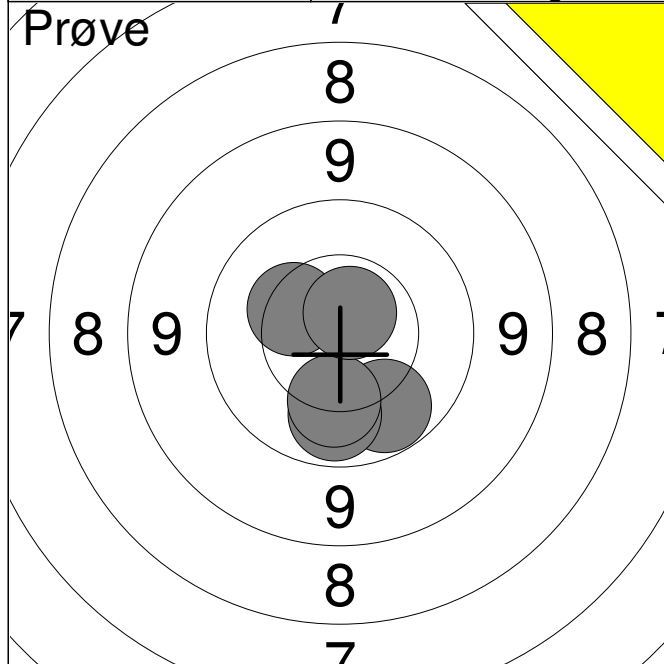
1:	10.4	↘
2:	10.4	↗
3:	10.2	↙
4:	*10.7	↘
5:	10.6	↑
6:	10.1	↗
Serie		60.0
Total		0.0



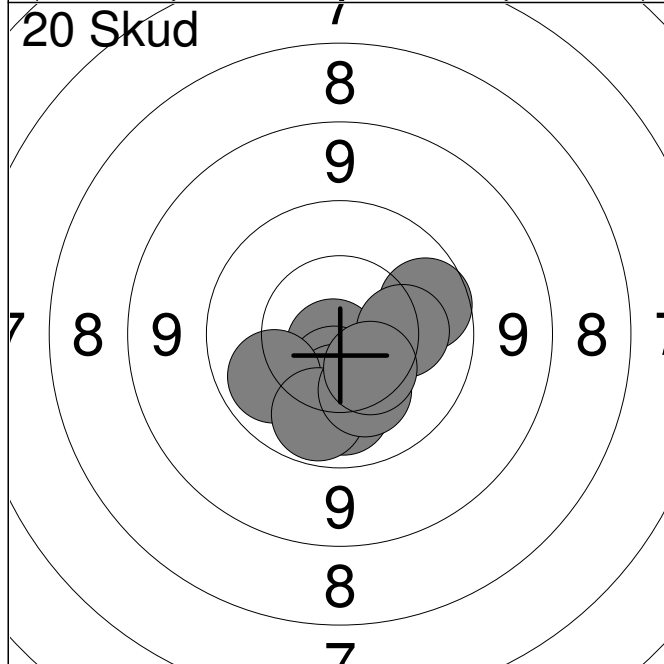
1:	10.2	↖
2:	*10.9	↙
3:	10.5	↗
4:	*10.7	↙
5:	*10.6	↘
6:	10.5	↗
7:	*10.7	↑
8:	*10.6	↗
9:	*10.7	↗
10:	10.6	→
Serie		100.0
Total		100.0



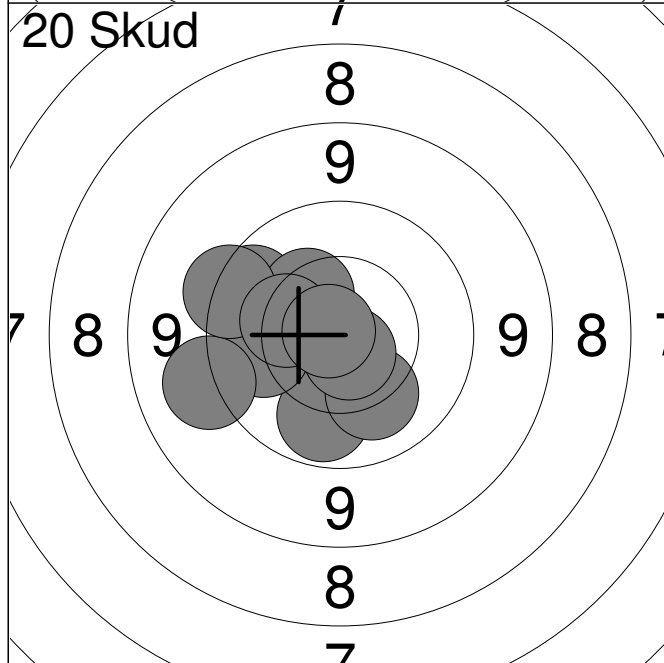
11:	*10.8	↘
12:	*10.6	↑
13:	10.0	↗
14:	9.8	→
15:	10.2	↗
16:	*10.6	↑
17:	10.3	↗
18:	10.4	↗
19:	*10.7	↗
20:	10.5	↗
Serie		99.0
Total		199.0



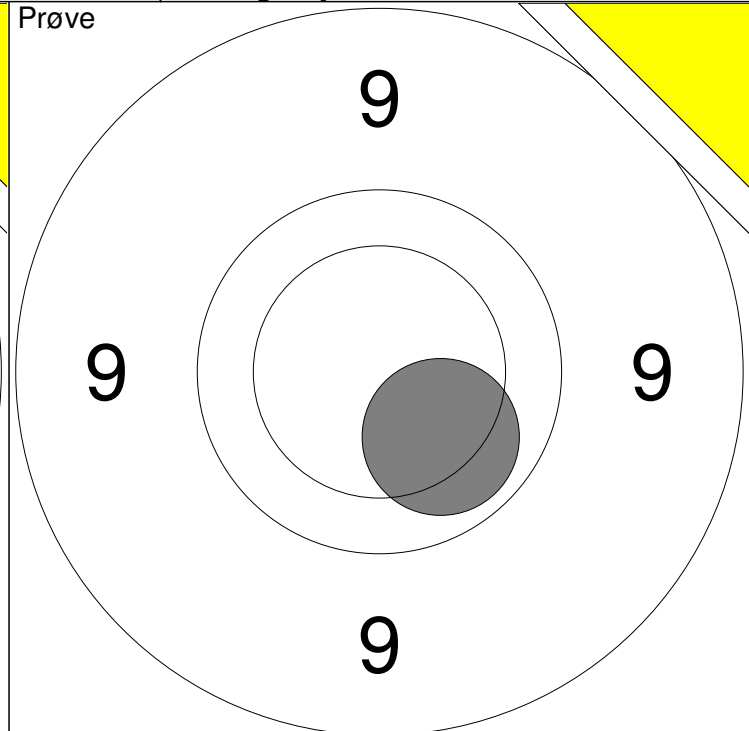
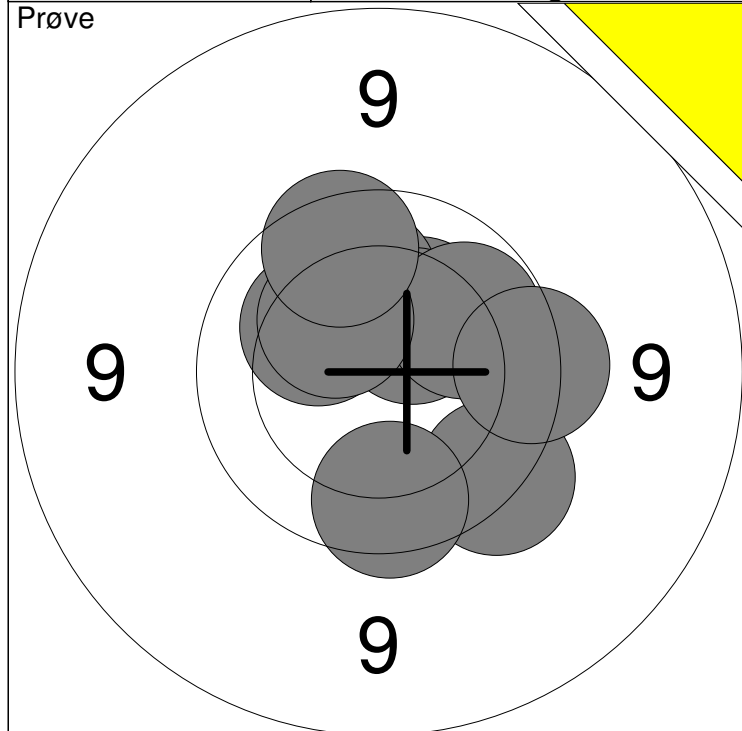
1:	10.0	↓
2:	10.0	↓
3:	10.3	↗
4:	10.2	↓
5:	*10.7	↗
Serie		50.0
Total		0.0



1:	10.1	↓
2:	9.9	→
3:	*10.8	↙
4:	10.2	→
5:	10.5	↓
6:	10.3	↓
7:	10.1	↙
8:	10.0	↓
9:	10.2	↓
10:	10.4	↓
Serie		99.0
Total		99.0

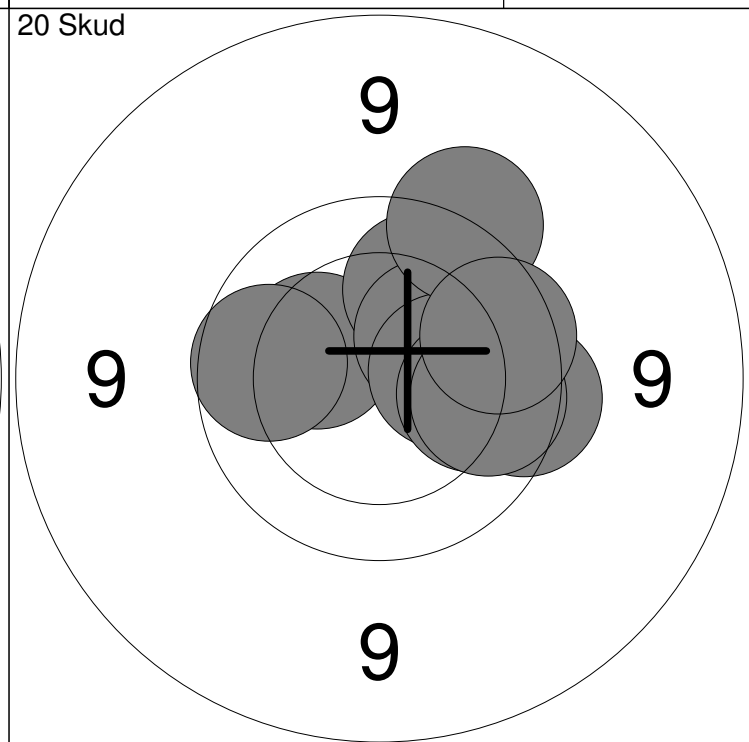
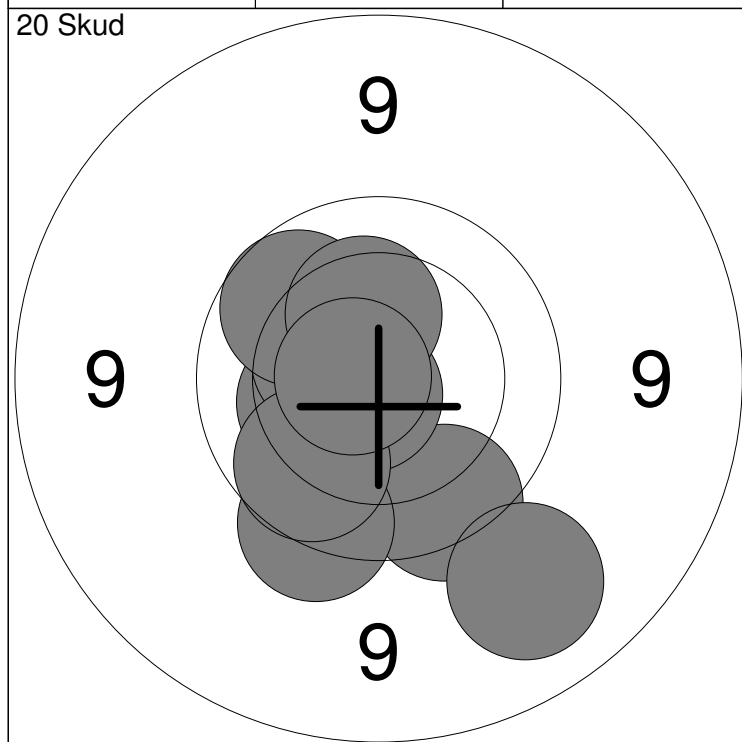


11:	10.0	↓
12:	9.8	↗
13:	10.2	↓
14:	10.4	↗
15:	10.0	↙
16:	*10.7	↓
17:	9.3	↙
18:	9.5	↗
19:	10.3	↙
20:	*10.8	↙
Serie		97.0
Total		196.0



1: 9.7 ↘	6: 10.2 ↗	Serie	96.0
2: 10.3 ↗	7: 9.8 ↓		
3: 10.1 ↑	8: 10.3 ↗	Total	0.0
4: 10.4 ↗	9: 9.8 ↑		
5: 10.0 ↗	10: 9.7 →		

11: 10.1 ↘	Serie	10.0
	Total	0.0



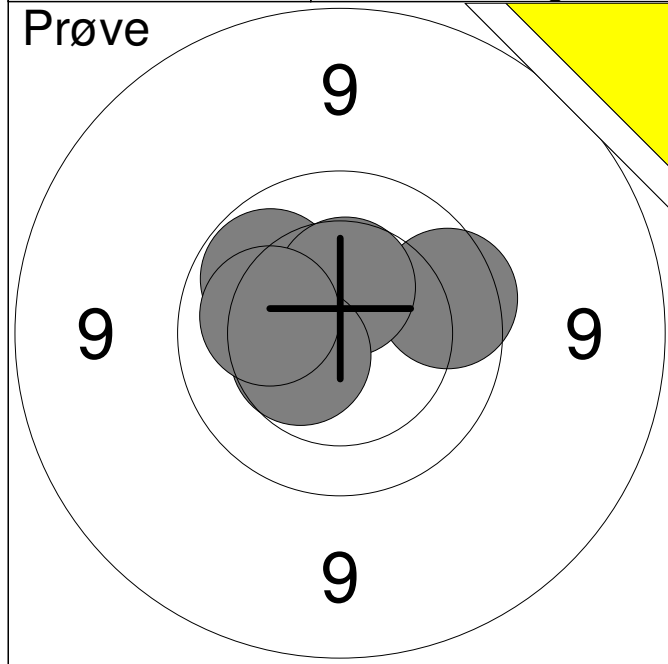
1: 9.7 ↘	6: 9.1 ↘	Serie	95.0
2: 10.3 ←	7: 9.9 ↘		
3: *10.7 ↘	8: 9.9 ↗	Total	95.0
4: 9.7 ↘	9: 10.3 ↑		
5: 10.4 ←	10: *10.7 ←		

11: 10.3 ←	16: 10.0 →	Serie	95.0
12: 9.9 ←	17: 9.6 ↗		
13: 10.0 ↑	18: 9.7 →	Total	190.0
14: 10.3 ↗	19: 9.9 →		
15: 10.3 →	20: 9.8 →		

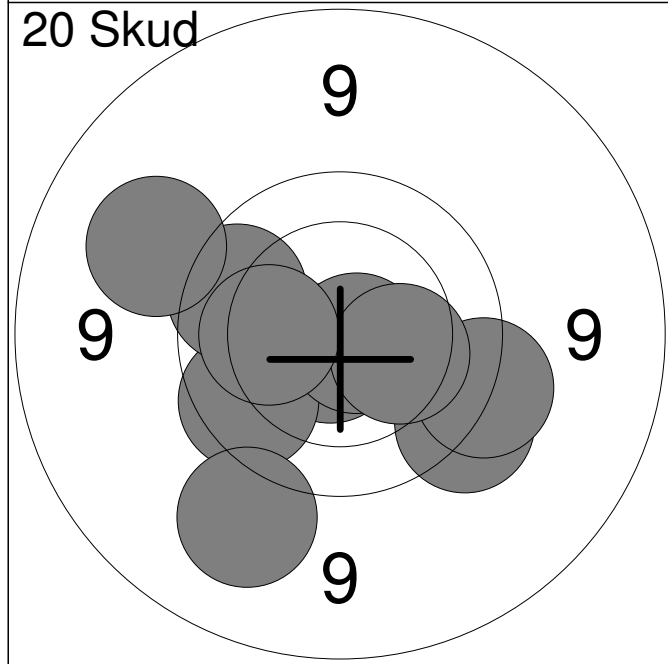
<p>Prøve</p>	<table style="width:100%; border-collapse: collapse;"> <tr><td style="width:10%;">1:</td><td style="width:80%;">10.3</td><td style="width:10%; text-align: right;">→</td></tr> <tr><td>2:</td><td>9.9</td><td style="text-align: right;">←</td></tr> <tr><td>3:</td><td>*10.7</td><td style="text-align: right;">→</td></tr> <tr><td>4:</td><td>10.1</td><td style="text-align: right;">→</td></tr> <tr><td>5:</td><td>10.2</td><td style="text-align: right;">↙</td></tr> </table>	1:	10.3	→	2:	9.9	←	3:	*10.7	→	4:	10.1	→	5:	10.2	↙
1:	10.3	→														
2:	9.9	←														
3:	*10.7	→														
4:	10.1	→														
5:	10.2	↙														
<table style="width:100%; border-collapse: collapse;"> <tr> <td style="width:80%;">Serie</td> <td style="text-align: right;">49.0</td> </tr> <tr> <td>Total</td> <td style="text-align: right;">0.0</td> </tr> </table>		Serie	49.0	Total	0.0											
Serie	49.0															
Total	0.0															

<p>20 Skud</p>	<table style="width:100%; border-collapse: collapse;"> <tr><td style="width:10%;">1:</td><td style="width:80%;">*10.6</td><td style="width:10%; text-align: right;">←</td></tr> <tr><td>2:</td><td>*10.7</td><td style="text-align: right;">↙</td></tr> <tr><td>3:</td><td>10.2</td><td style="text-align: right;">↗</td></tr> <tr><td>4:</td><td>9.8</td><td style="text-align: right;">←</td></tr> <tr><td>5:</td><td>9.8</td><td style="text-align: right;">←</td></tr> <tr><td>6:</td><td>10.4</td><td style="text-align: right;">↘</td></tr> <tr><td>7:</td><td>*10.6</td><td style="text-align: right;">→</td></tr> <tr><td>8:</td><td>10.0</td><td style="text-align: right;">↑</td></tr> <tr><td>9:</td><td>9.6</td><td style="text-align: right;">→</td></tr> <tr><td>10:</td><td>9.2</td><td style="text-align: right;">→</td></tr> </table>	1:	*10.6	←	2:	*10.7	↙	3:	10.2	↗	4:	9.8	←	5:	9.8	←	6:	10.4	↘	7:	*10.6	→	8:	10.0	↑	9:	9.6	→	10:	9.2	→
1:	*10.6	←																													
2:	*10.7	↙																													
3:	10.2	↗																													
4:	9.8	←																													
5:	9.8	←																													
6:	10.4	↘																													
7:	*10.6	→																													
8:	10.0	↑																													
9:	9.6	→																													
10:	9.2	→																													
<table style="width:100%; border-collapse: collapse;"> <tr> <td style="width:80%;">Serie</td> <td style="text-align: right;">96.0</td> </tr> <tr> <td>Total</td> <td style="text-align: right;">96.0</td> </tr> </table>		Serie	96.0	Total	96.0																										
Serie	96.0																														
Total	96.0																														

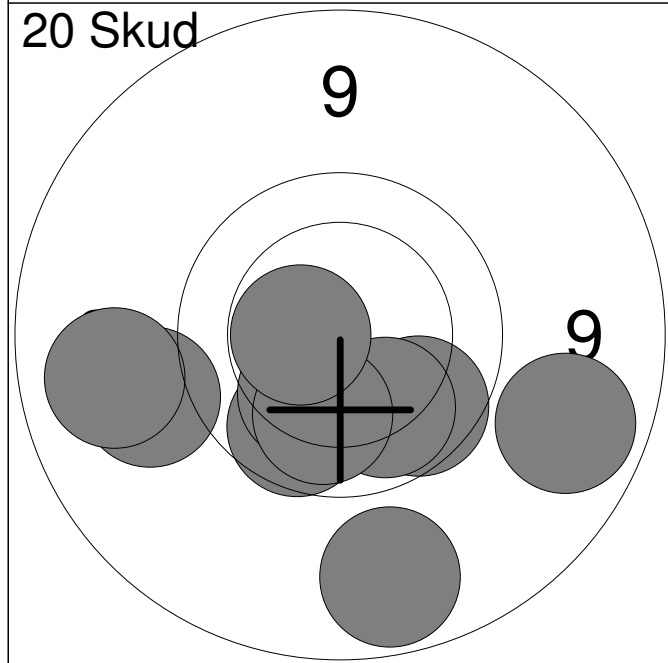
<p>20 Skud</p>	<table style="width:100%; border-collapse: collapse;"> <tr><td style="width:10%;">11:</td><td style="width:80%;">10.1</td><td style="width:10%; text-align: right;">↗</td></tr> <tr><td>12:</td><td>9.9</td><td style="text-align: right;">↑</td></tr> <tr><td>13:</td><td>9.8</td><td style="text-align: right;">↗</td></tr> <tr><td>14:</td><td>9.4</td><td style="text-align: right;">↖</td></tr> <tr><td>15:</td><td>10.4</td><td style="text-align: right;">↘</td></tr> <tr><td>16:</td><td>*10.6</td><td style="text-align: right;">←</td></tr> <tr><td>17:</td><td>10.1</td><td style="text-align: right;">↖</td></tr> <tr><td>18:</td><td>9.7</td><td style="text-align: right;">←</td></tr> <tr><td>19:</td><td>10.3</td><td style="text-align: right;">↗</td></tr> <tr><td>20:</td><td>*10.5</td><td style="text-align: right;">↑</td></tr> </table>	11:	10.1	↗	12:	9.9	↑	13:	9.8	↗	14:	9.4	↖	15:	10.4	↘	16:	*10.6	←	17:	10.1	↖	18:	9.7	←	19:	10.3	↗	20:	*10.5	↑
11:	10.1	↗																													
12:	9.9	↑																													
13:	9.8	↗																													
14:	9.4	↖																													
15:	10.4	↘																													
16:	*10.6	←																													
17:	10.1	↖																													
18:	9.7	←																													
19:	10.3	↗																													
20:	*10.5	↑																													
<table style="width:100%; border-collapse: collapse;"> <tr> <td style="width:80%;">Serie</td> <td style="text-align: right;">96.0</td> </tr> <tr> <td>Total</td> <td style="text-align: right;">192.0</td> </tr> </table>		Serie	96.0	Total	192.0																										
Serie	96.0																														
Total	192.0																														



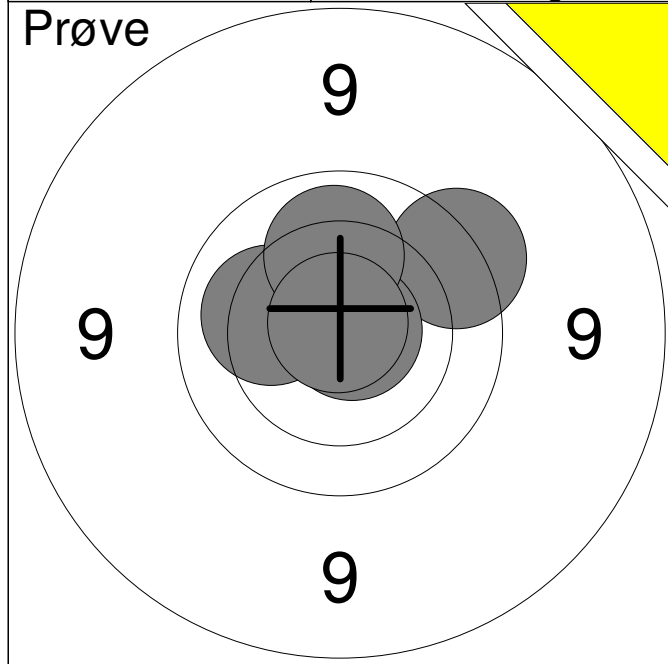
1:	10.0	↖
2:	9.8	→
3:	10.4	↑
4:	10.5	↙
5:	10.2	←
Serie		49.0
Total		0.0



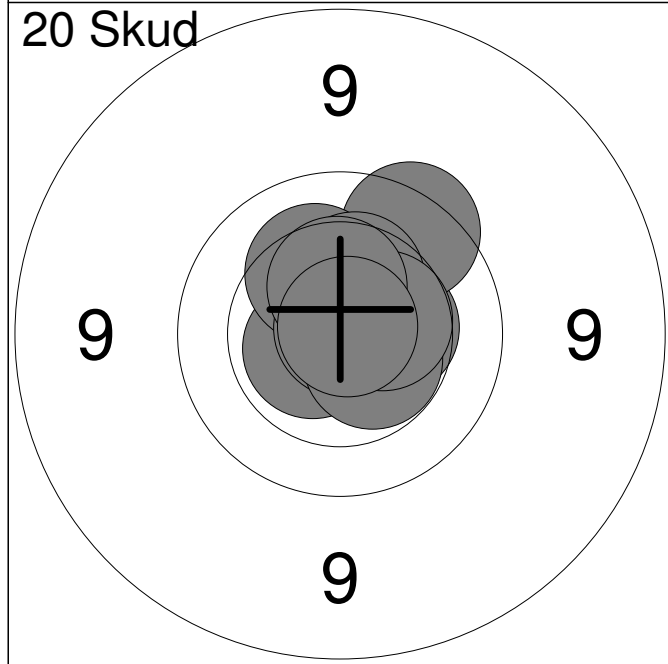
1:	*10.7	↘
2:	9.8	↙
3:	*10.7	↘
4:	9.8	↖
5:	9.6	↘
6:	9.6	↘
7:	9.3	↖
8:	9.3	↘
9:	10.3	→
10:	10.2	←
Serie		94.0
Total		94.0



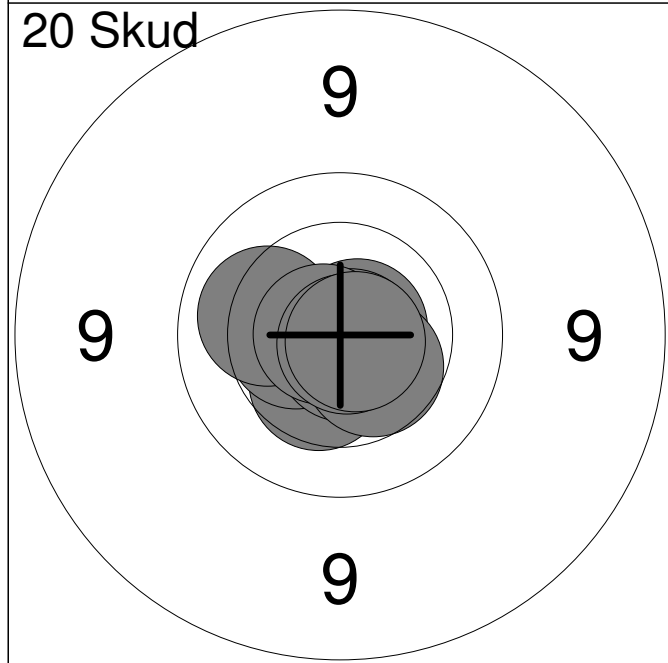
11:	9.3	←
12:	9.9	↘
13:	10.2	↘
14:	9.9	↘
15:	9.0	→
16:	10.0	↘
17:	9.1	←
18:	10.1	↘
19:	*10.5	←
20:	9.0	↘
Serie		94.0
Total		188.0



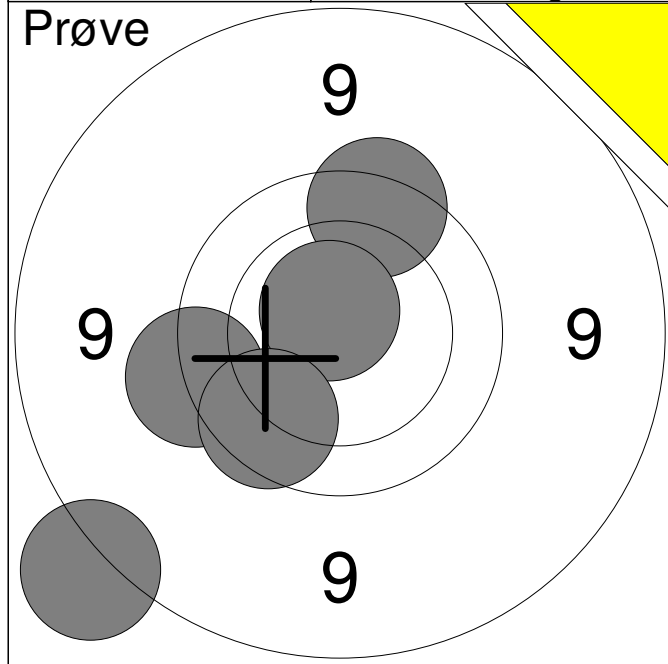
1:	9.7	↗
2:	10.2	↖
3:	*10.8	↗
4:	10.1	↑
5:	*10.8	↑
Serie		49.0
Total		0.0



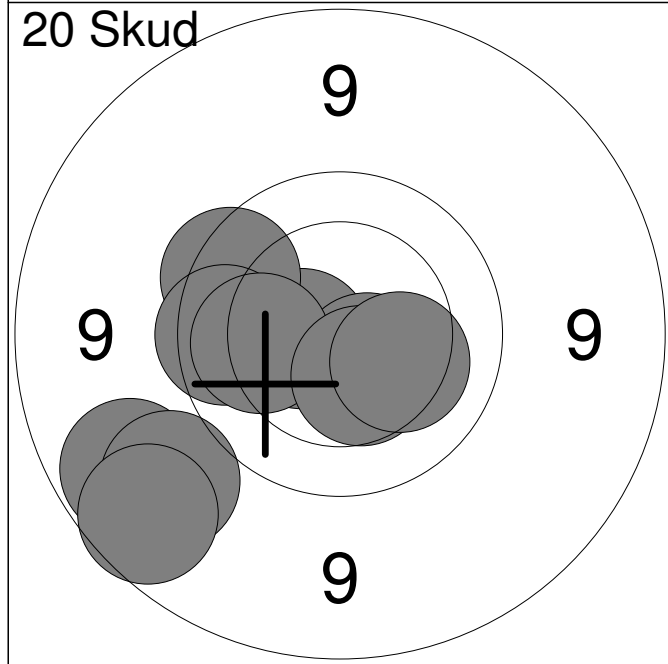
1:	10.4	→
2:	*10.6	↖
3:	9.8	↗
4:	10.2	↑
5:	*10.9	↗
6:	10.4	↑
7:	*10.5	↘
8:	10.5	→
9:	10.4	↑
10:	*10.8	↗
Serie		99.0
Total		99.0



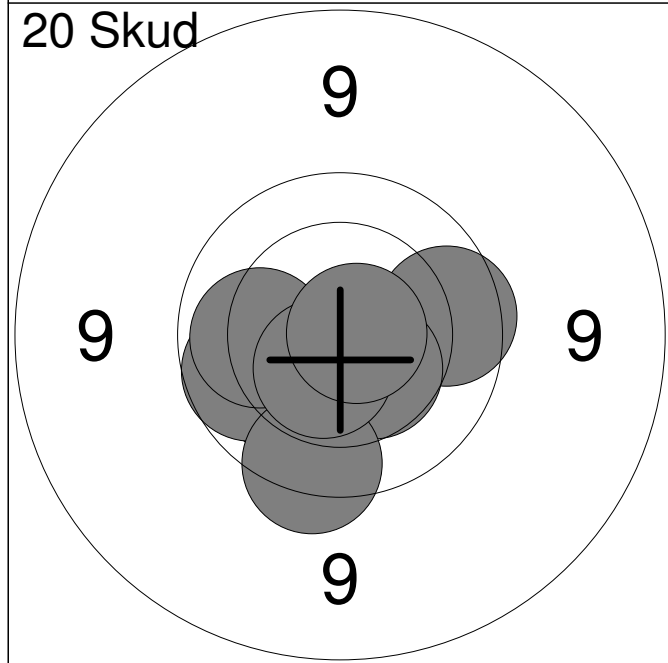
11:	*10.8	→
12:	10.4	↘
13:	10.5	↖
14:	*10.8	↘
15:	10.5	↘
16:	*10.8	→
17:	10.1	↖
18:	*10.8	↖
19:	*10.8	↘
20:	*10.8	↘
Serie		100.0
Total		199.0



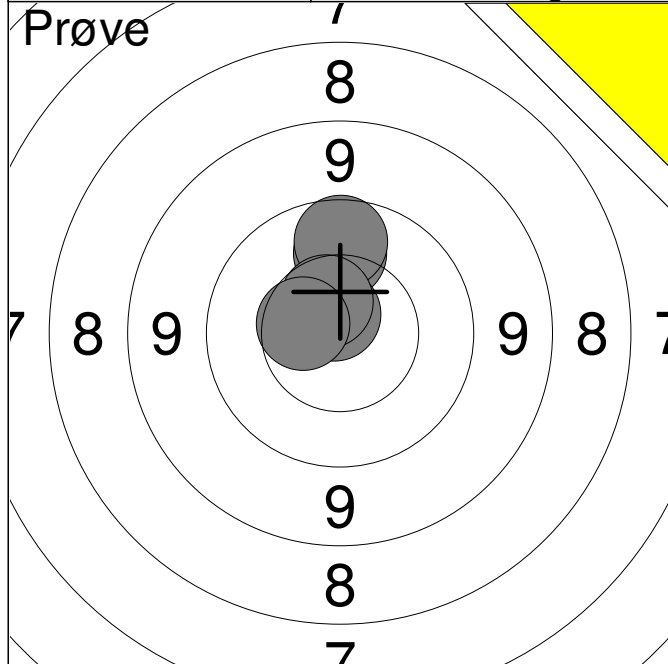
1:	9.7	↑
2:	*10.7	↑
3:	9.6	←
4:	9.8	↙
5:	8.6	↘
Serie		45.0
Total		0.0



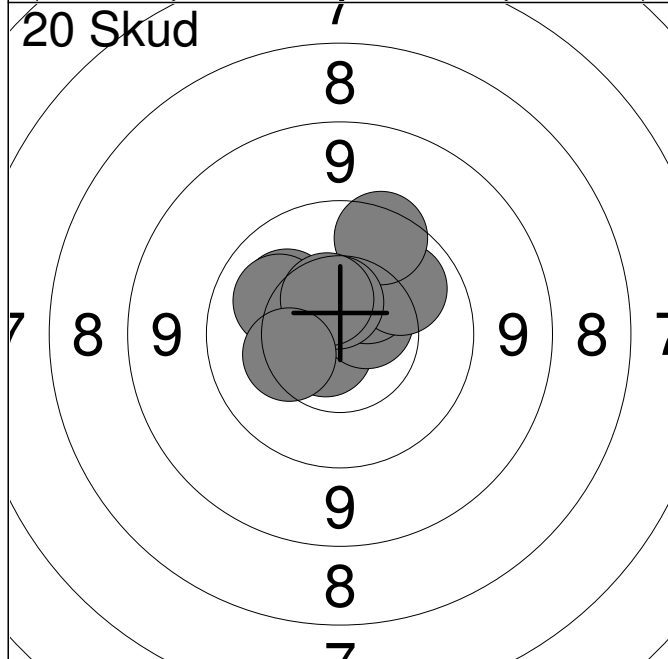
1:	*10.5	←
2:	9.0	↙
3:	*10.5	↘
4:	9.1	↙
5:	9.8	↑
6:	9.8	←
7:	10.1	←
8:	10.4	↘
9:	8.9	↙
10:	10.2	→
Serie		94.0
Total		94.0



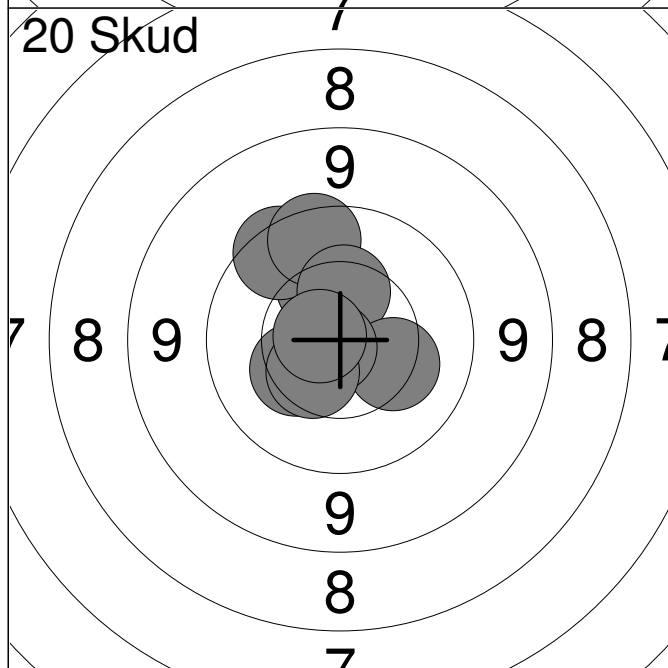
11:	10.2	↙
12:	9.9	→
13:	10.4	←
14:	*10.8	↘
15:	10.4	↘
16:	9.9	←
17:	9.7	↘
18:	10.1	←
19:	*10.5	↙
20:	*10.8	→
Serie		97.0
Total		191.0



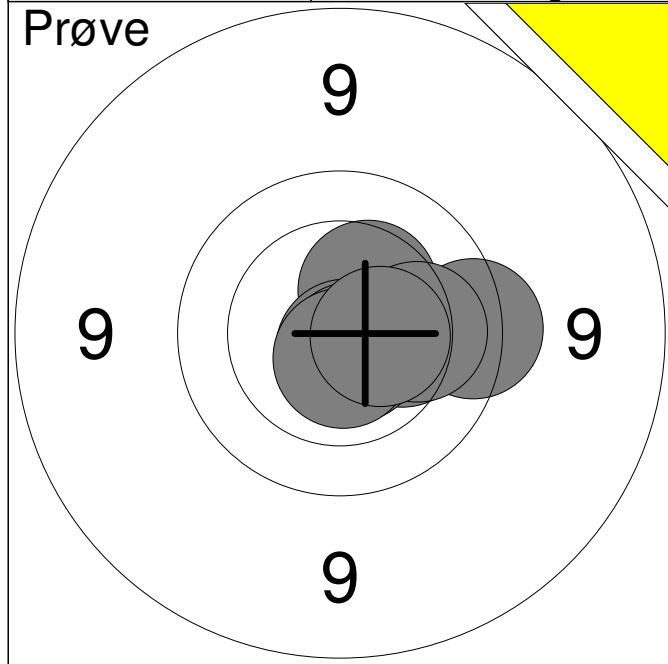
1:	10.0	↑
2:	*10.7	↑
3:	9.9	↑
4:	10.6	↑
5:	10.5	←
Serie		49.0
Total		0.0



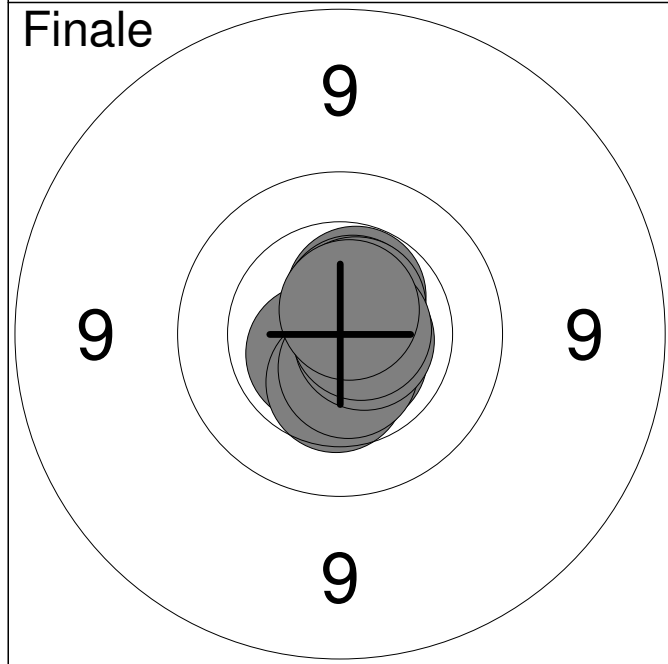
1:	*10.7	↙
2:	*10.6	→
3:	10.2	↖
4:	10.4	↗
5:	10.1	↗
6:	9.7	↑
7:	10.2	↖
8:	10.6	↑
9:	10.5	↑
10:	10.3	↙
Serie		99.0
Total		99.0



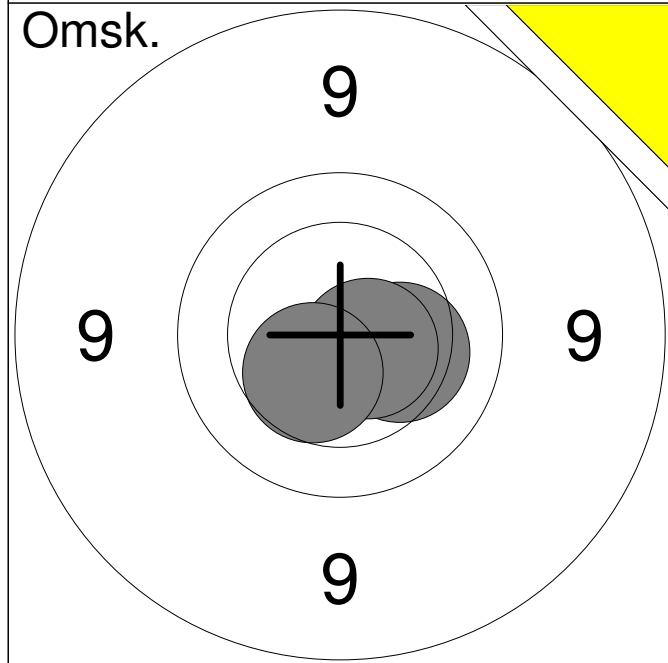
11:	10.3	↑
12:	9.7	↖
13:	*10.8	↙
14:	9.7	↑
15:	10.4	↑
16:	10.3	→
17:	*10.8	↙
18:	10.3	↙
19:	10.5	↙
20:	*10.7	←
Serie		98.0
Total		197.0



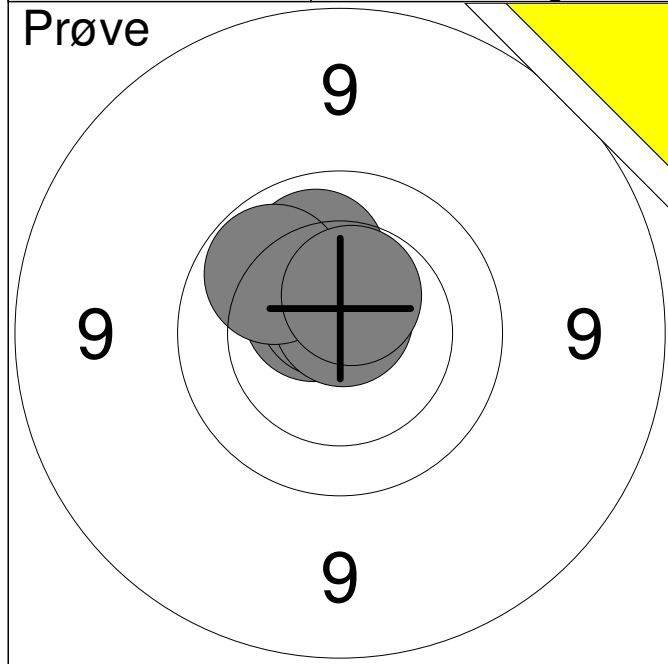
1:	10.3	→
2:	9.7	→
3:	10.4	↗
4:	*10.8	↘
5:	*10.7	↘
6:	*10.7	↘
7:	10.1	→
8:	*10.5	→
Serie		83.2
Total		400.0



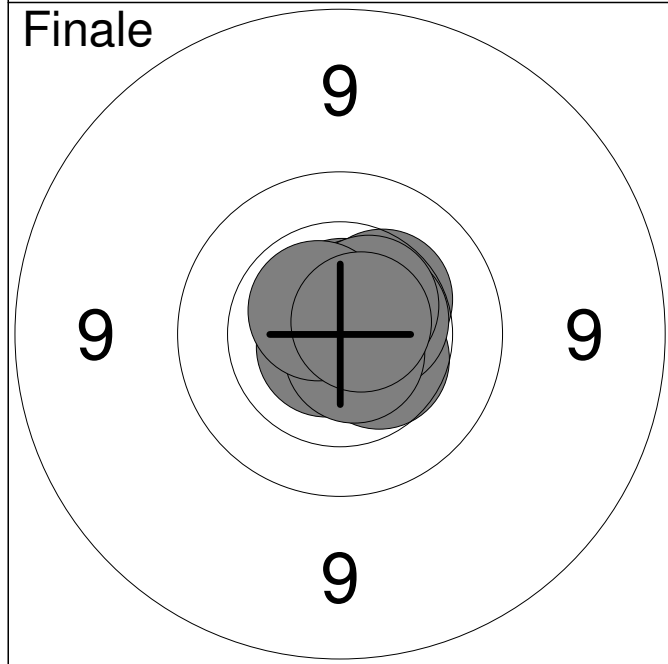
1:	*10.5	↗
2:	*10.6	↖
3:	10.4	↘
4:	*10.6	↘
5:	*10.6	↘
6:	*10.6	↗
7:	*10.6	↗
8:	*10.7	→
9:	*10.7	→
10:	*10.7	↗
Serie		106.0
Total		506.0



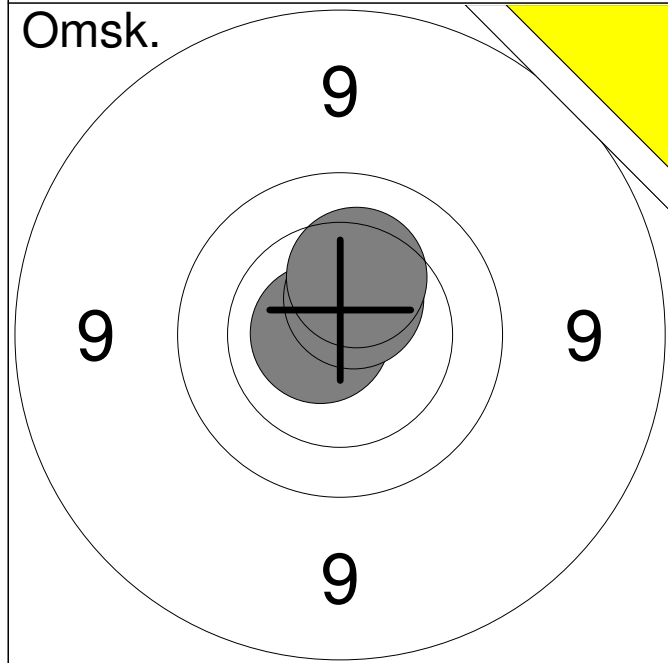
1:	10.3	→
2:	*10.6	→
3:	10.4	↖
Serie		31.3
Total		506.0



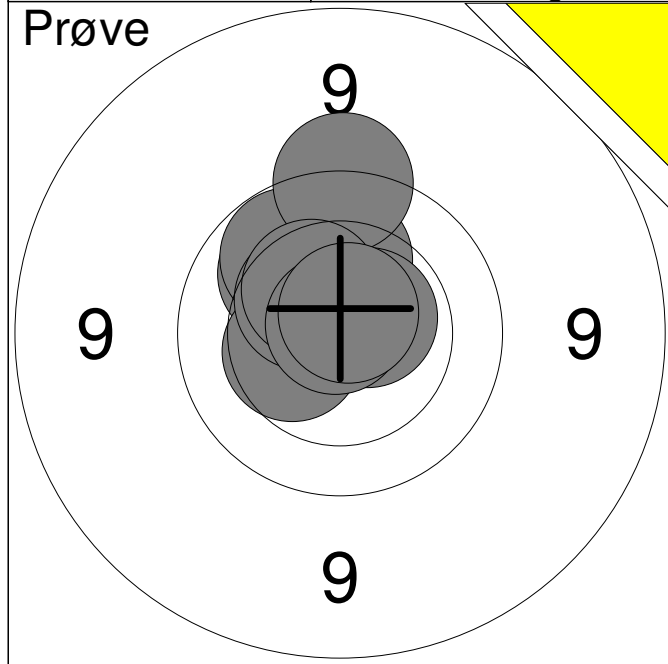
1:	*10.6	↗
2:	*10.6	↗
3:	*10.8	↗
4:	10.1	↗
5:	10.0	↗
6:	*10.5	↗
Serie		62.6
Total		400.0



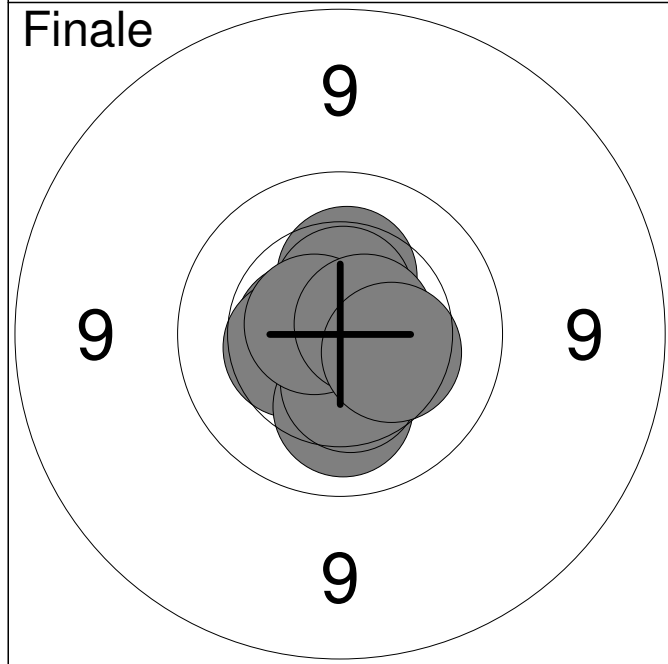
1:	10.5	↘
2:	*10.7	↗
3:	*10.8	↙
4:	*10.6	↗
5:	10.4	↗
6:	*10.5	→
7:	*10.7	↘
8:	*10.5	↗
9:	*10.6	↖
10:	*10.7	↗
Serie		106.0
Total		506.0



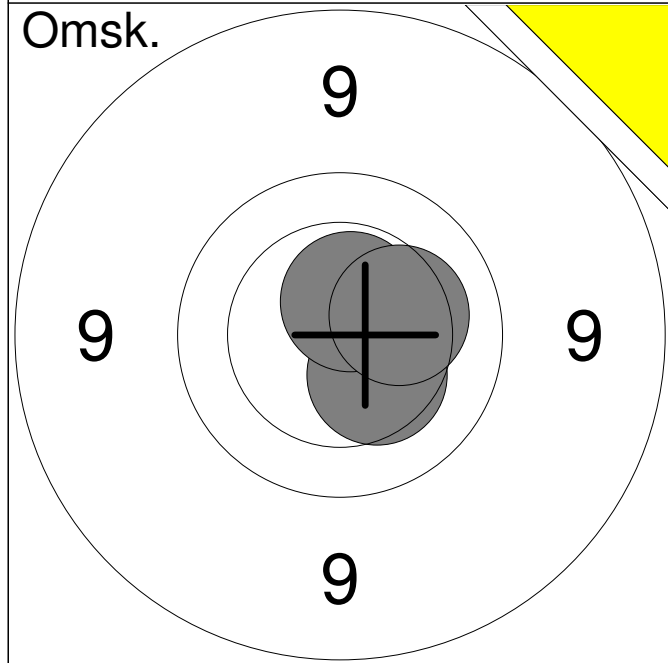
1:	*10.7	←
2:	*10.5	↗
3:	10.3	↗
Serie		31.5
Total		506.0



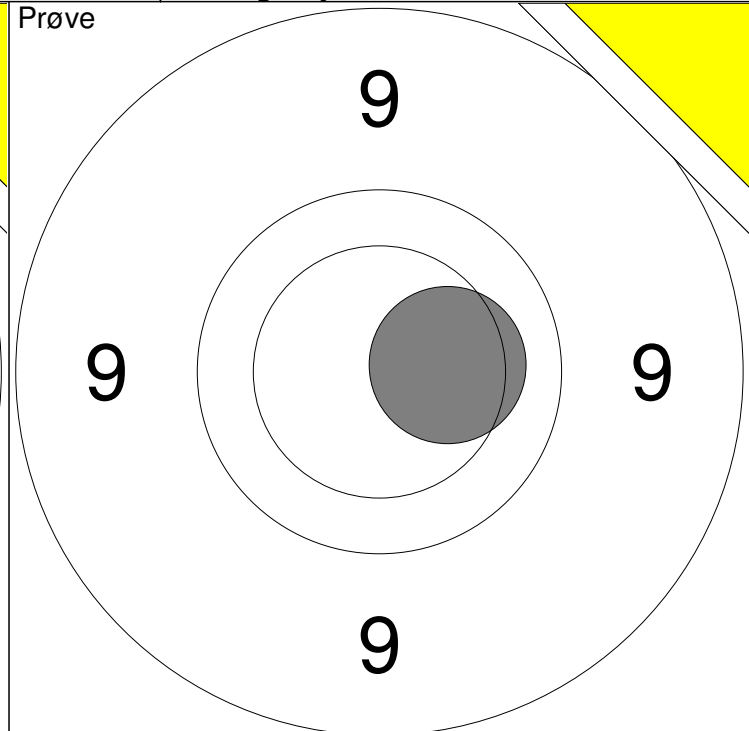
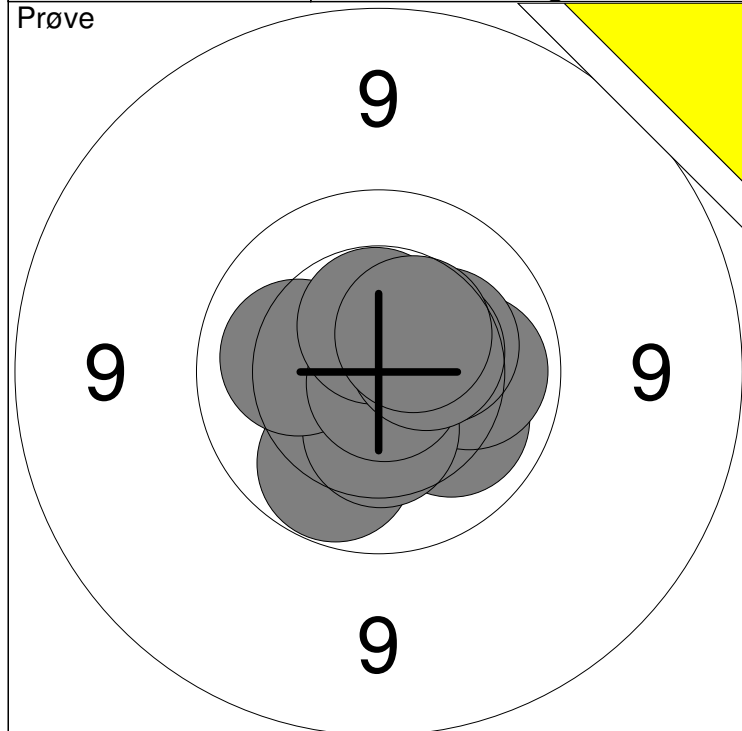
1:	10.2	↑
2:	10.1	↖
3:	10.0	↖
4:	10.4	↖
5:	9.6	↑
6:	10.4	↖
7:	*10.6	↗
8:	10.4	↖
9:	*10.8	↖
10:	*10.7	↖
Serie		103.2
Total		400.0



1:	*10.6	←
2:	10.3	↑
3:	10.4	←
4:	*10.5	↑
5:	10.4	↓
6:	10.2	↓
7:	10.4	↓
8:	*10.6	↖
9:	*10.7	↗
10:	10.4	→
Serie		104.5
Total		504.5

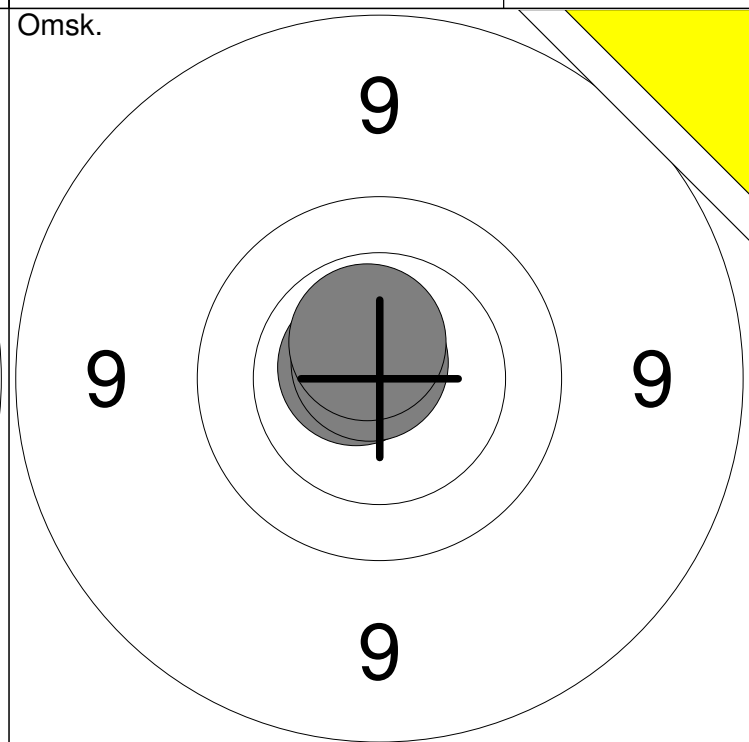
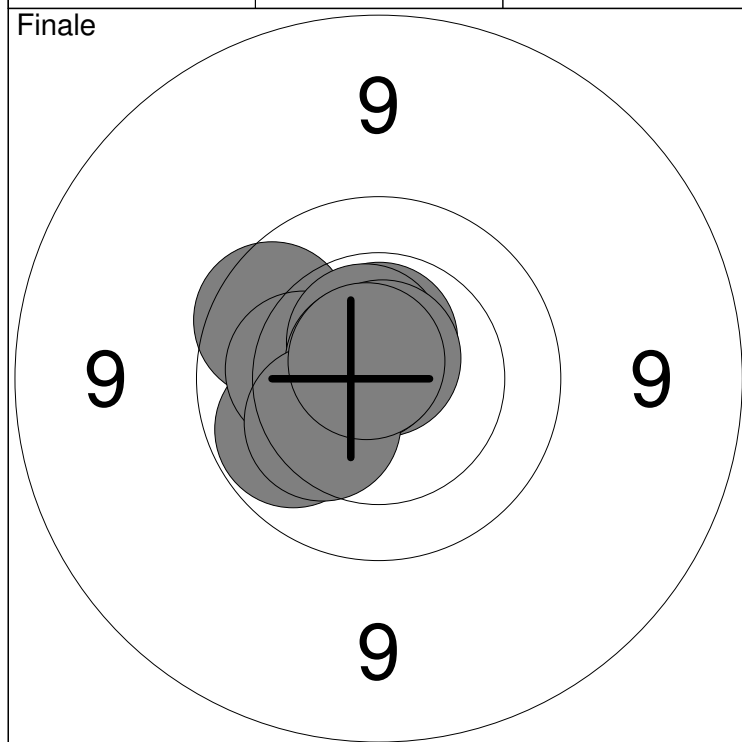


1:	10.4	↘
2:	*10.6	↑
3:	10.3	→
Serie		31.3
Total		504.5



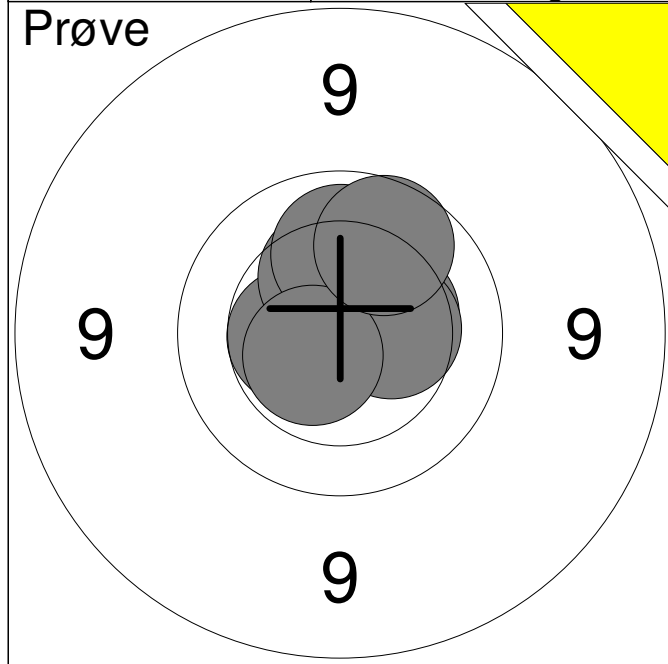
1: 10.0 ↘	6: *10.8 ↘	Serie	103.4
2: 10.1 ↘	7: *10.5 ↑		
3: 10.1 →	8: 10.3 →	Total	400.0
4: 10.4 ↓	9: 10.5 →		
5: 10.2 ←	10: 10.5 ↗		

11: 10.3 →		Serie	10.3
		Total	400.0

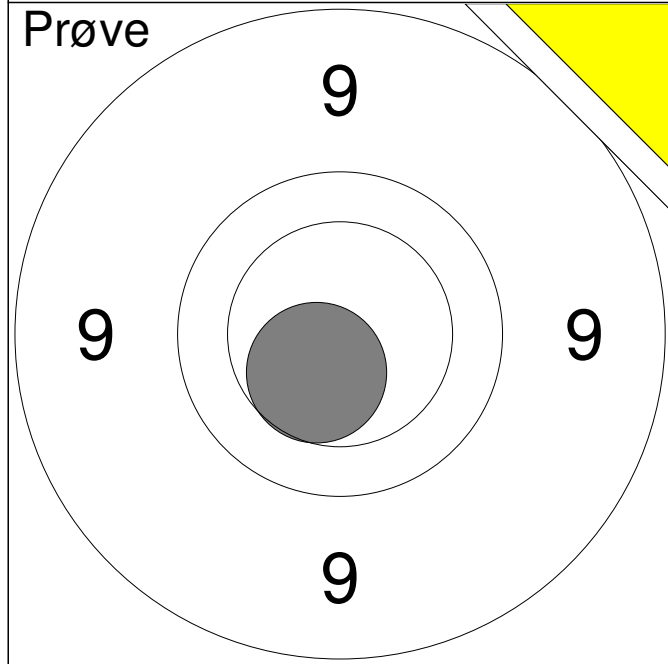


1: *10.8 ↖	6: *10.6 ↖	Serie	104.5
2: *10.6 ↑	7: *10.7 ↑		
3: 10.0 ←	8: *10.7 ↖	Total	504.5
4: 9.9 ←	9: 10.3 ←		
5: 10.2 ←	10: *10.7 ↖		

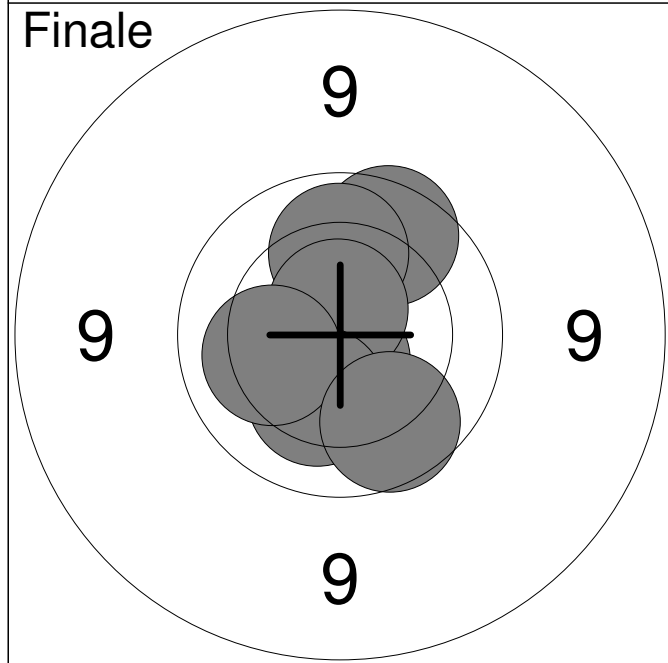
1: *10.7 ↖		Serie	32.1
2: *10.8 ↖		Total	504.5
3: *10.6 ↖			



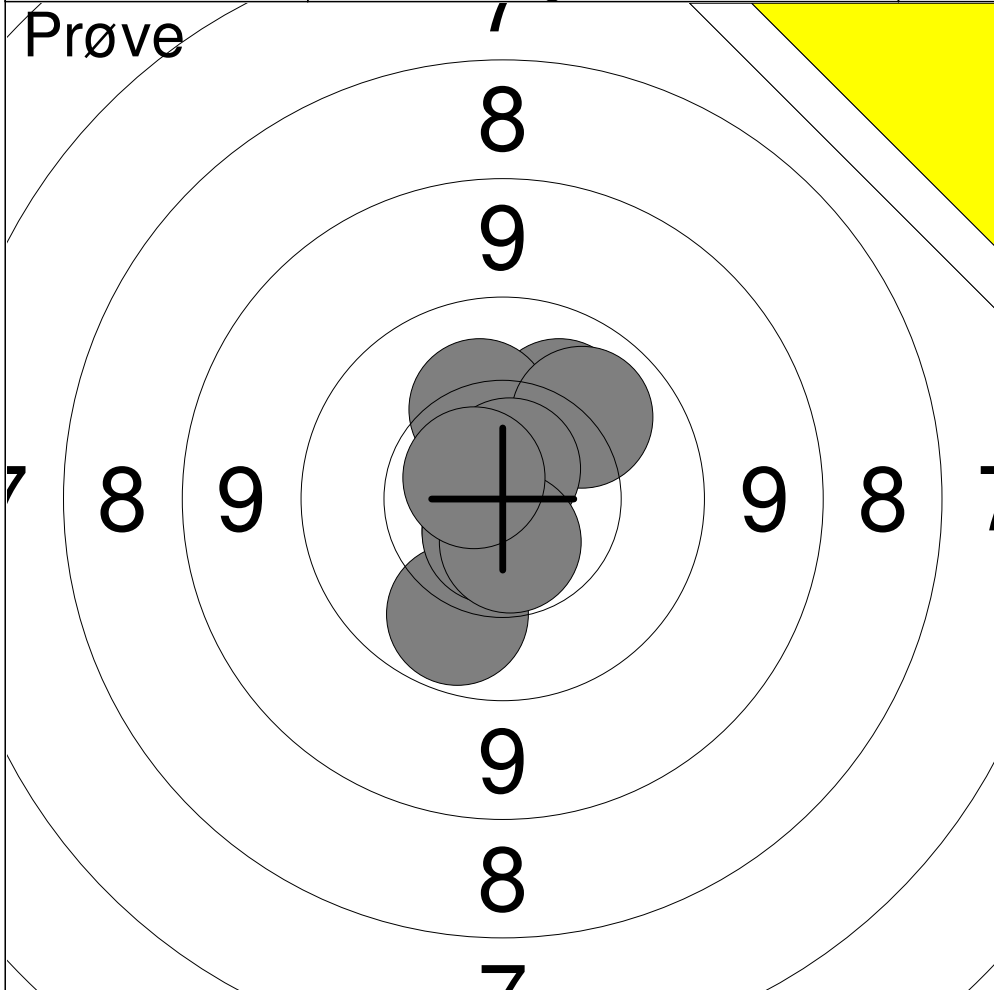
1:	10.5	←
2:	10.4	→
3:	10.3	↑
4:	10.2	↑
5:	10.3	↑
6:	10.3	↑
7:	10.1	↑
8:	10.4	→
9:	*10.6	↙
10:	9.9	↗
Serie		103.0
Total		399.0



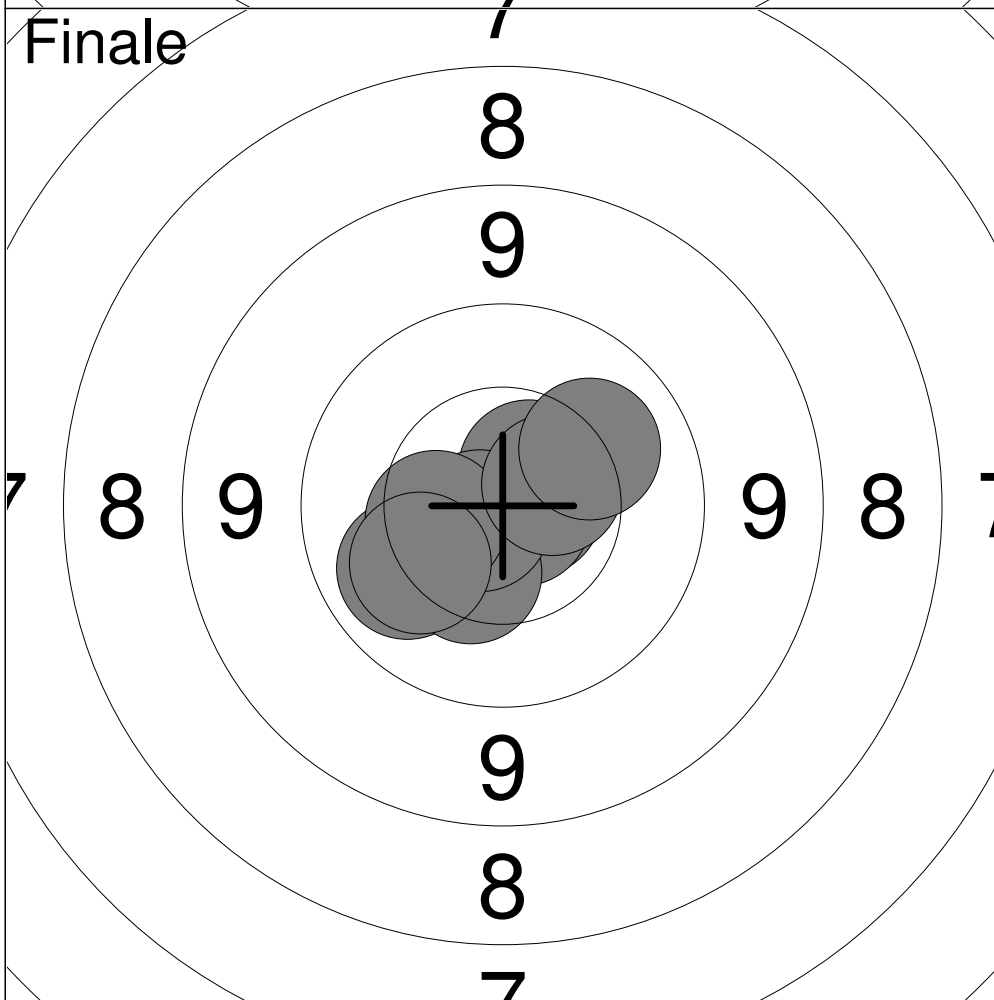
11:	10.5	↙
Serie		10.5
Total		399.0



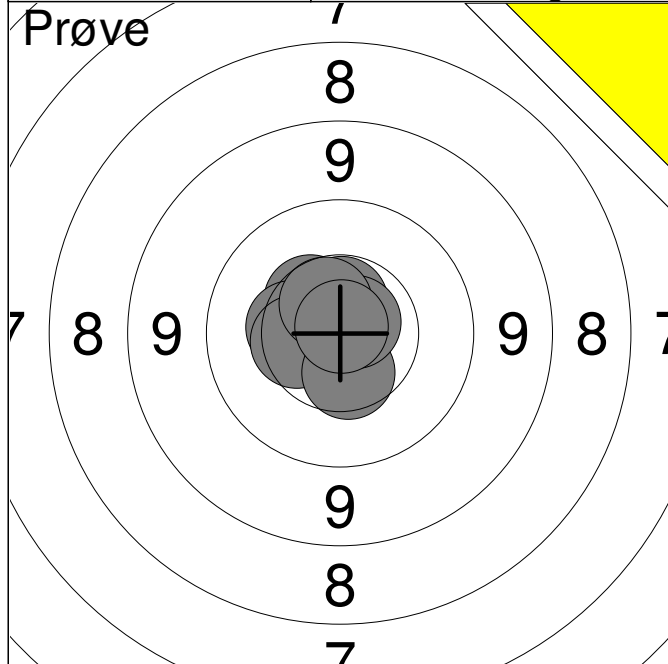
1:	9.8	↗
2:	*10.6	↙
3:	10.1	↑
4:	*10.5	←
5:	*10.7	↓
6:	*10.6	↙
7:	*10.7	↑
8:	10.2	↙
9:	10.2	←
10:	9.9	↘
Serie		103.3
Total		502.3



1:	10.1	↗
2:	10.2	↑
3:	*10.7	↓
4:	10.1	↗
5:	*10.7	↑
6:	10.0	↓
7:	*10.7	↓
8:	*10.6	↓
9:	*10.7	↖
Serie		93.8
Total		400.0

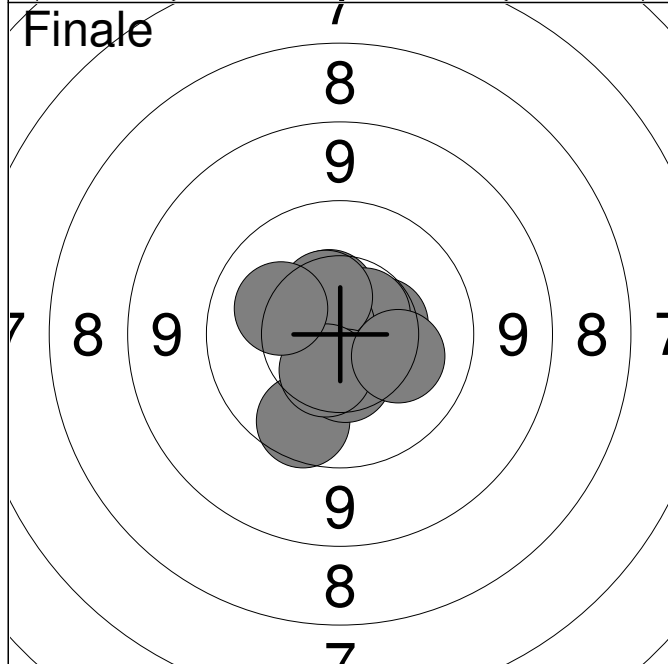


1:	*10.7	→
2:	*10.8	↘
3:	*10.6	↗
4:	10.1	↙
5:	10.4	↓
6:	*10.7	↙
7:	10.4	←
8:	10.2	↙
9:	10.5	↗
10:	10.2	↗
Serie		104.6
Total		504.6



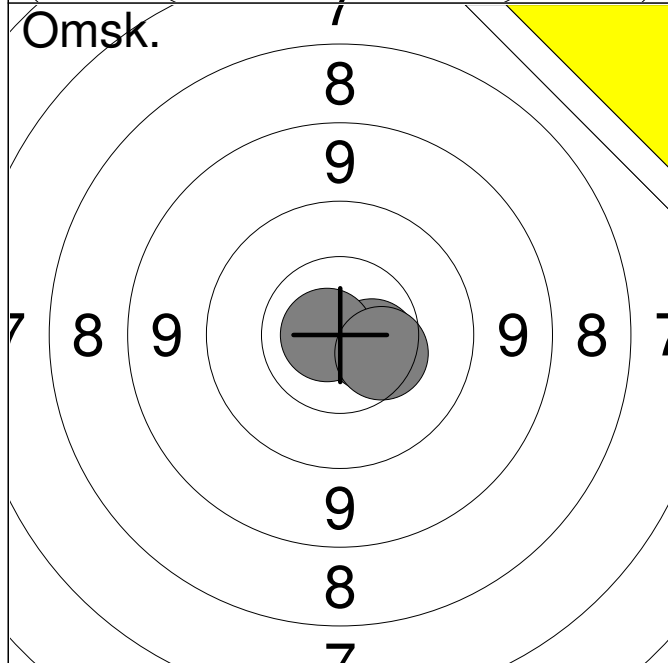
1:	10.4	↖
2:	*10.6	↑
3:	10.4	←
4:	10.4	←
5:	10.5	↓
6:	*10.7	↗
7:	10.6	↖
8:	*10.9	↑

Serie	84.5
Total	399.0



1:	10.5	→
2:	10.5	↑
3:	9.8	↓
4:	*10.6	↗
5:	*10.8	↗
6:	10.5	↗
7:	10.5	↓
8:	10.5	↓
9:	10.2	→
10:	10.2	↖

Serie	104.1
Total	503.1



1:	10.6	→
2:	*10.8	←
3:	10.4	↘

Serie	31.8
Total	503.1

<p>Prøve</p>	<table style="width:100%;"> <tr><td>1:</td><td>*10.7</td><td style="text-align: right;">↓</td></tr> <tr><td>2:</td><td>*10.8</td><td style="text-align: right;">↗</td></tr> <tr><td>3:</td><td>10.6</td><td style="text-align: right;">↓</td></tr> <tr><td>4:</td><td>*10.7</td><td style="text-align: right;">↘</td></tr> </table>	1:	*10.7	↓	2:	*10.8	↗	3:	10.6	↓	4:	*10.7	↘
1:	*10.7	↓											
2:	*10.8	↗											
3:	10.6	↓											
4:	*10.7	↘											

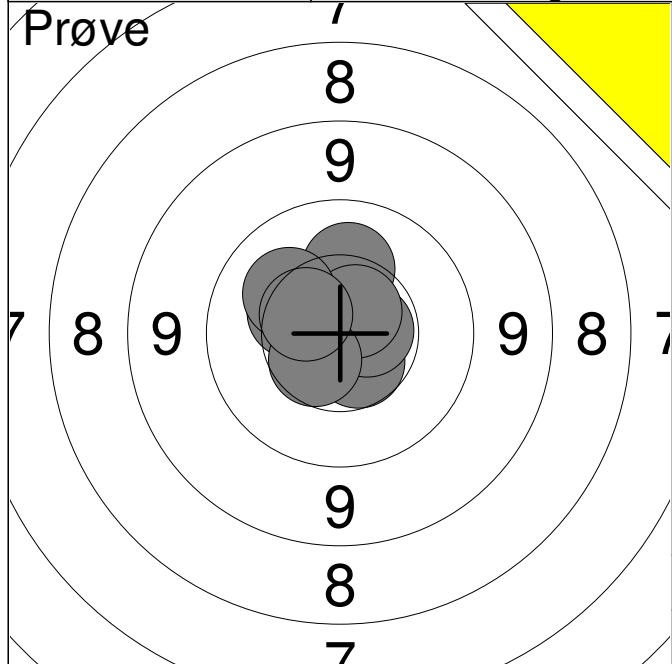
Serie	42.8
Total	398.0

<p>Finale</p>	<table style="width:100%;"> <tr><td>1:</td><td>10.5</td><td style="text-align: right;">↖</td></tr> <tr><td>2:</td><td>*10.7</td><td style="text-align: right;">↓</td></tr> <tr><td>3:</td><td>10.5</td><td style="text-align: right;">←</td></tr> <tr><td>4:</td><td>10.3</td><td style="text-align: right;">↗</td></tr> <tr><td>5:</td><td>*10.7</td><td style="text-align: right;">↗</td></tr> <tr><td>6:</td><td>10.6</td><td style="text-align: right;">→</td></tr> <tr><td>7:</td><td>10.4</td><td style="text-align: right;">↗</td></tr> <tr><td>8:</td><td>*10.9</td><td style="text-align: right;">→</td></tr> <tr><td>9:</td><td>10.3</td><td style="text-align: right;">↗</td></tr> <tr><td>10:</td><td>10.2</td><td style="text-align: right;">↑</td></tr> </table>	1:	10.5	↖	2:	*10.7	↓	3:	10.5	←	4:	10.3	↗	5:	*10.7	↗	6:	10.6	→	7:	10.4	↗	8:	*10.9	→	9:	10.3	↗	10:	10.2	↑
1:	10.5	↖																													
2:	*10.7	↓																													
3:	10.5	←																													
4:	10.3	↗																													
5:	*10.7	↗																													
6:	10.6	→																													
7:	10.4	↗																													
8:	*10.9	→																													
9:	10.3	↗																													
10:	10.2	↑																													

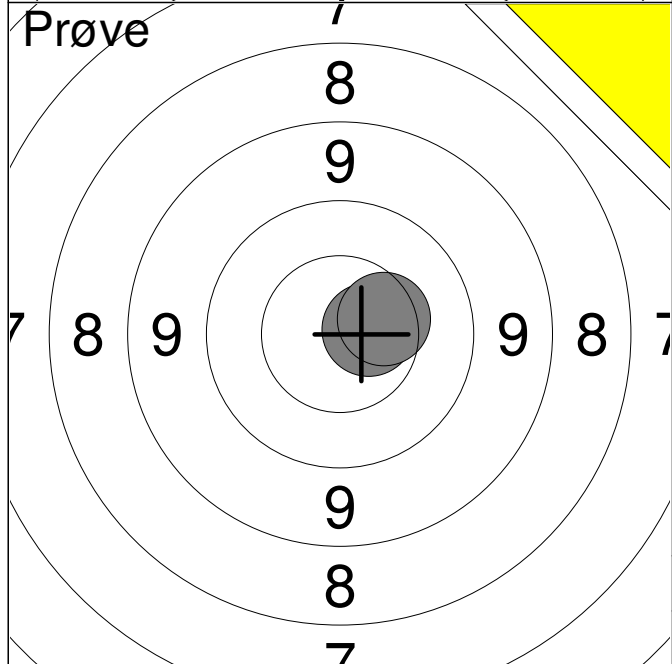
Serie	105.1
Total	503.1

<p>Omsk.</p>	<table style="width:100%;"> <tr><td>1:</td><td>10.4</td><td style="text-align: right;">→</td></tr> <tr><td>2:</td><td>*10.6</td><td style="text-align: right;">↗</td></tr> <tr><td>3:</td><td>10.4</td><td style="text-align: right;">↓</td></tr> </table>	1:	10.4	→	2:	*10.6	↗	3:	10.4	↓
1:	10.4	→								
2:	*10.6	↗								
3:	10.4	↓								

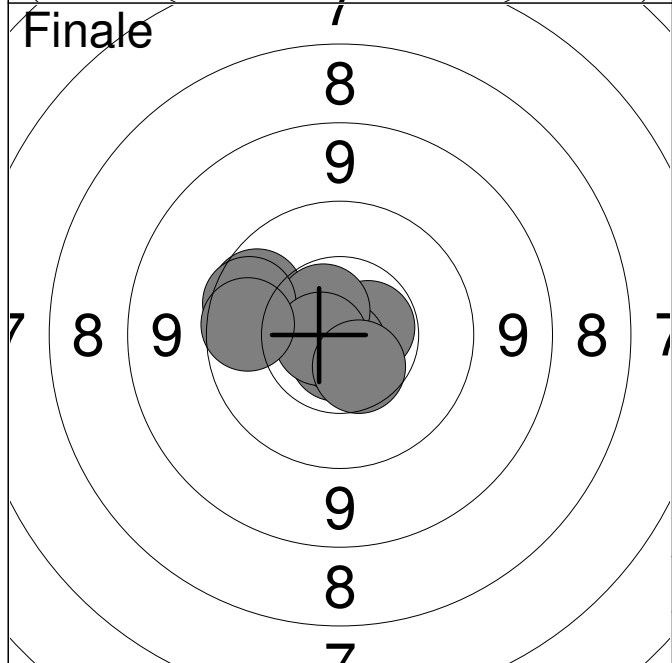
Serie	31.4
Total	503.1



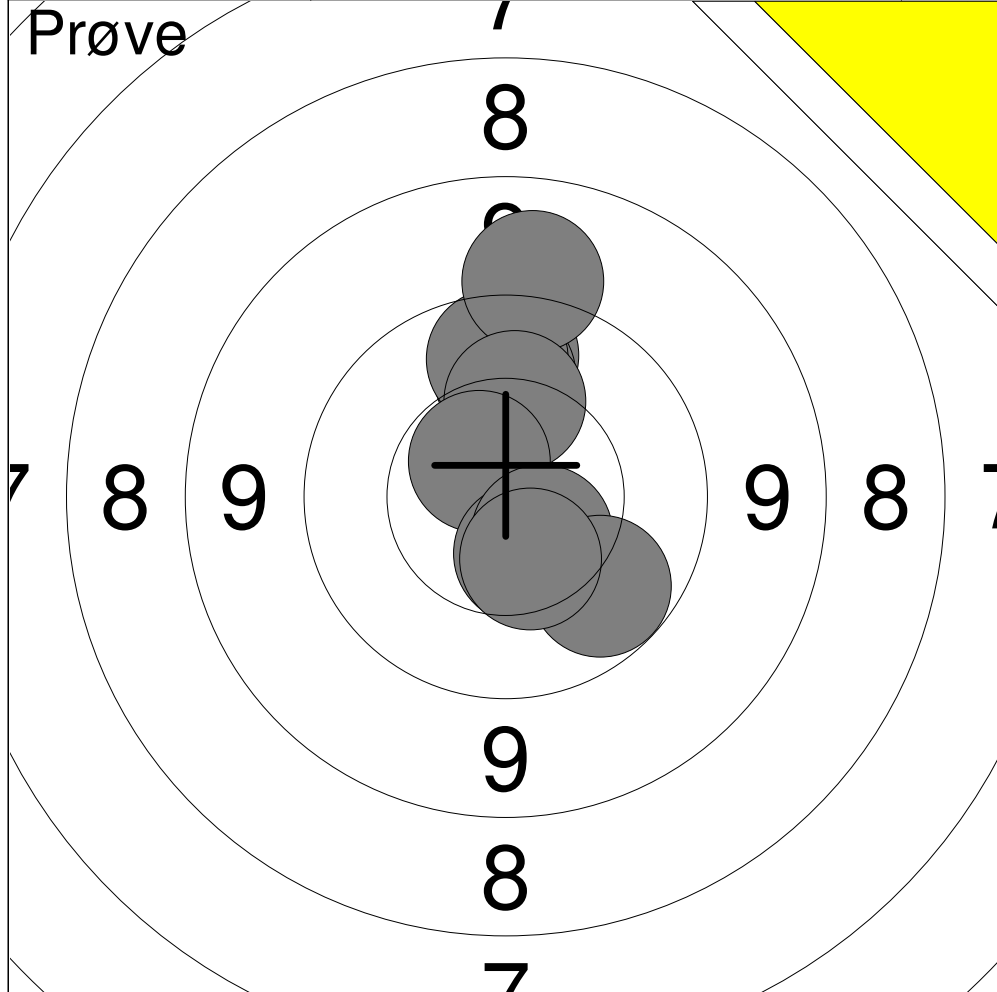
1:	10.6	↘
2:	*10.8	↖
3:	*10.8	→
4:	10.2	↑
5:	*10.6	→
6:	*10.6	↗
7:	10.4	↖
8:	10.5	↙
9:	10.2	↗
10:	10.5	↖
Serie		105.2
Total		398.0



11:	*10.6	→
12:	10.4	→
Serie		21.0
Total		398.0

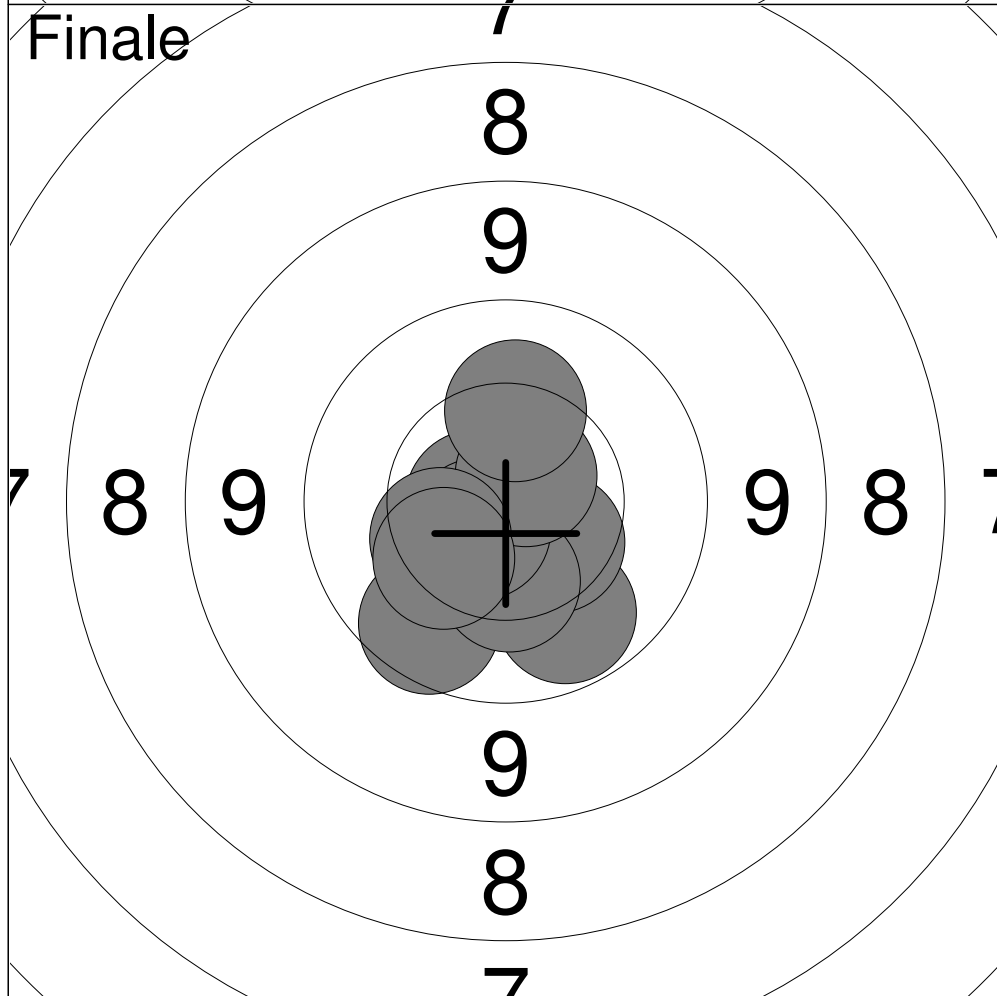


1:	9.9	↖
2:	*10.7	↘
3:	*10.6	→
4:	*10.8	↘
5:	*10.6	↗
6:	*10.6	↗
7:	9.8	↖
8:	*10.7	←
9:	10.5	↘
10:	9.9	←
Serie		104.1
Total		502.1



1:	9.9	↑
2:	10.0	↑
3:	9.9	↑
4:	9.2	↑
5:	10.2	↑
6:	*10.6	↗
7:	10.5	↘
8:	10.5	↘
9:	10.0	↘
10:	10.4	↘

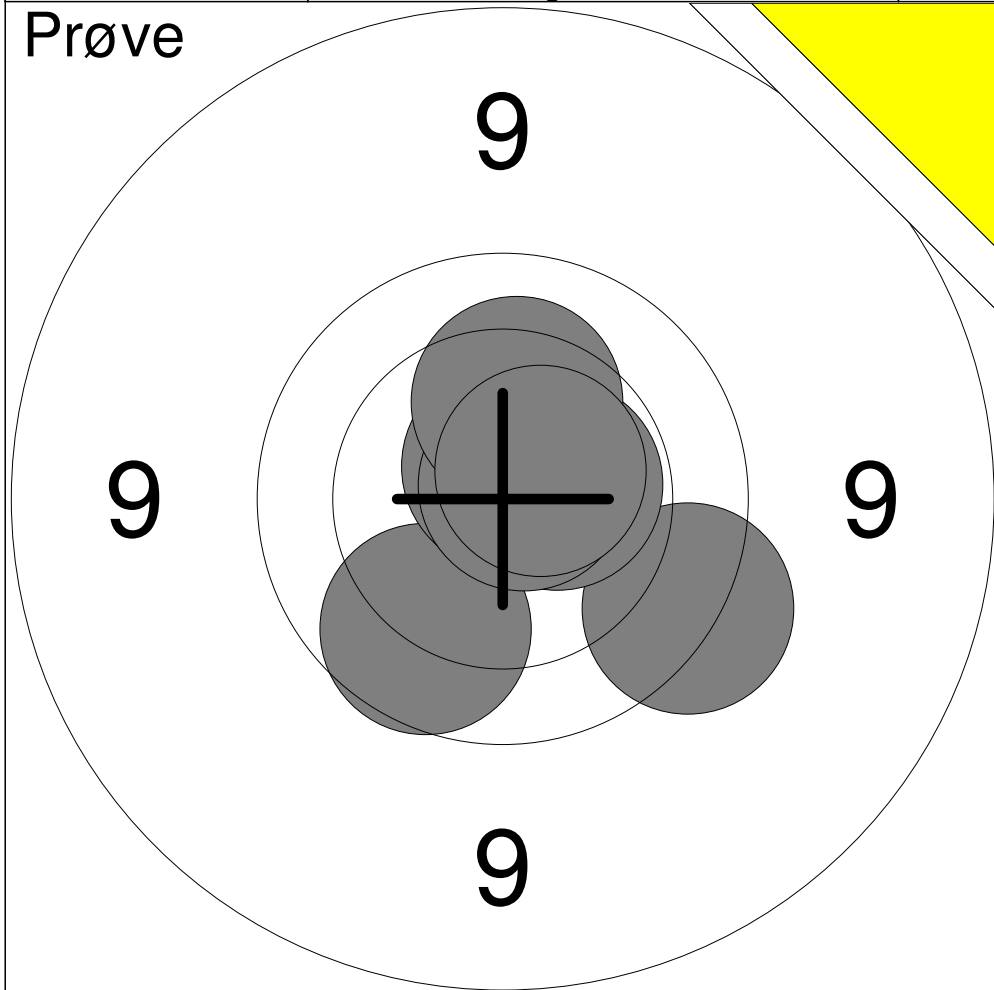
Serie	101.2
Total	397.0



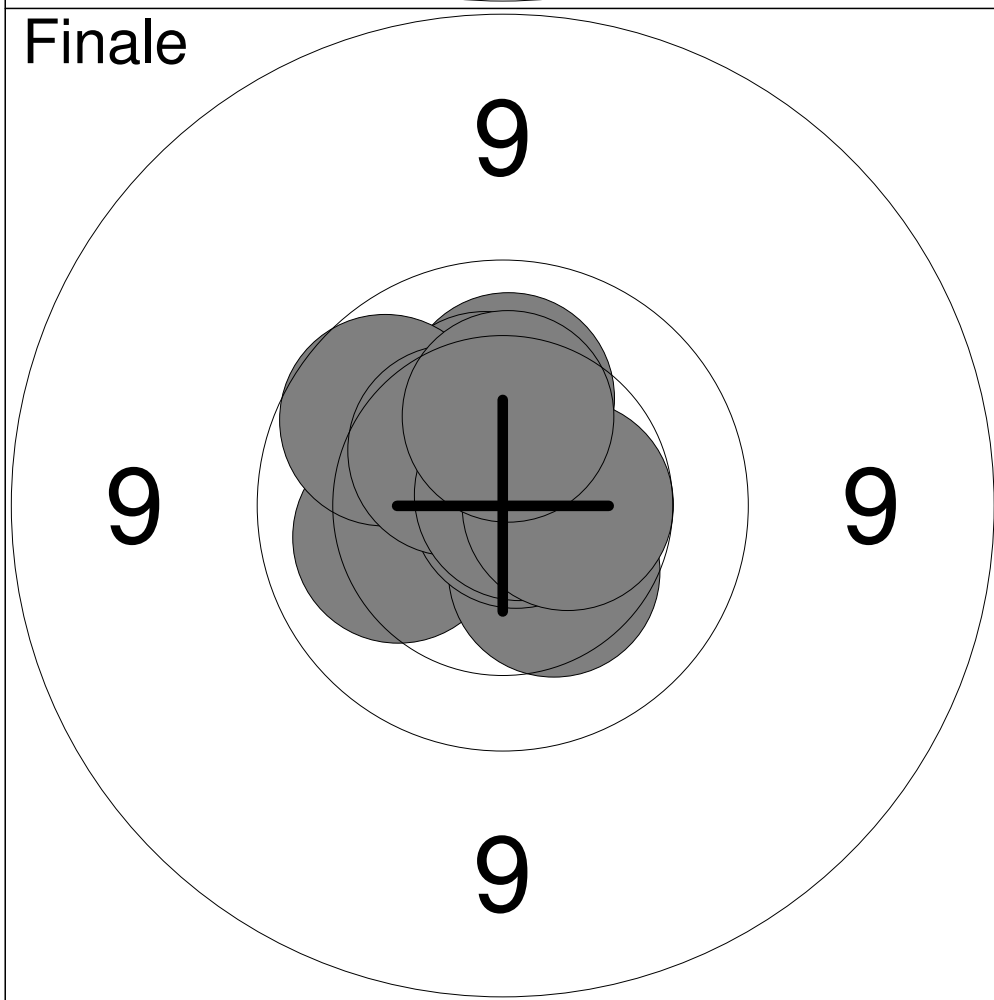
1:	10.0	↘
2:	10.5	↘
3:	9.8	↘
4:	*10.7	←
5:	10.3	↘
6:	*10.7	↙
7:	*10.7	↗
8:	10.4	←
9:	10.3	↑
10:	10.3	↙

Serie	103.7
Total	500.7

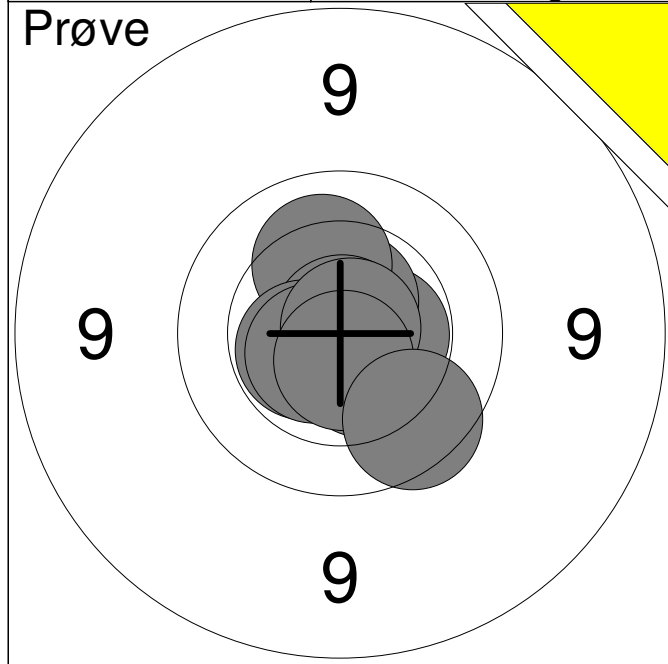
Hold 35	Skive 1	Marcus K. Andersen	
15m	Vester Han Herred SkytteforeningF2JR	F2JR	
1/3 - 3/3 2013	NM 15 meter Ungdom 2013	Aalborg Skyttekreds	



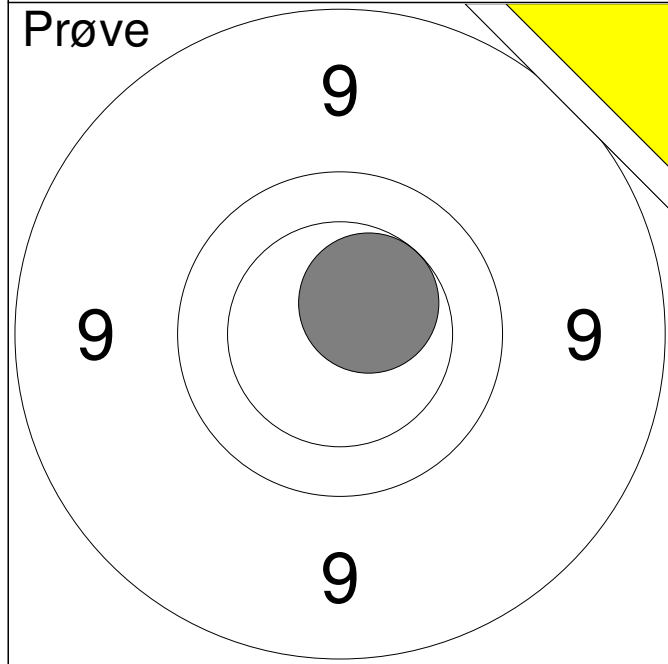
1:	9.6	↘
2:	9.9	↙
3:	*10.8	↗
4:	*10.5	→
5:	*10.7	↑
6:	*10.8	↗
7:	10.3	↑
8:	*10.6	↗
Serie		83.2
Total		399.0



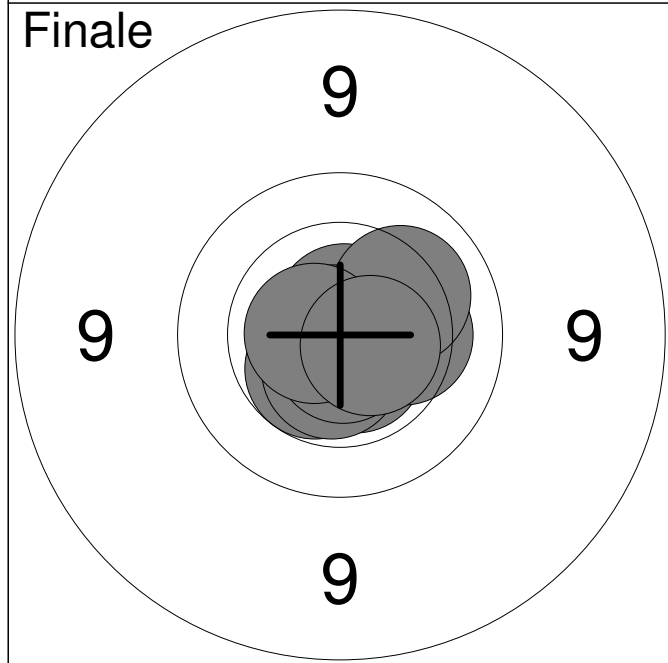
1:	10.2	←
2:	10.4	↘
3:	10.2	↑
4:	*10.8	→
5:	10.3	↑
6:	9.9	↖
7:	10.4	↗
8:	*10.8	↗
9:	10.5	→
10:	10.3	↑
Serie		103.8
Total		502.8



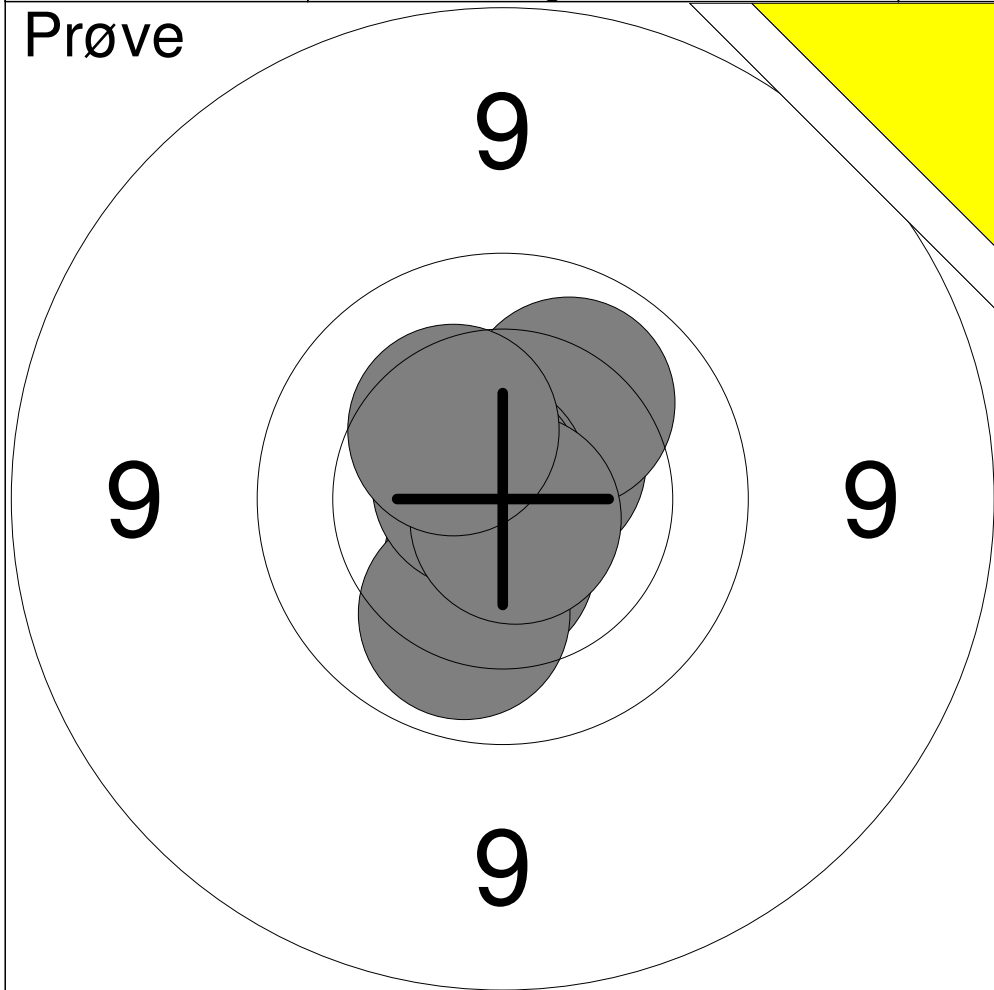
1:	*10.5	↘
2:	*10.5	→
3:	*10.6	↑
4:	10.2	↑
5:	*10.9	↑
6:	*10.5	↙
7:	*10.6	↙
8:	*10.8	→
9:	*10.7	↓
10:	9.8	↘
Serie		105.1
Total		399.0



11:	*10.5	↗
Serie		10.5
Total		399.0

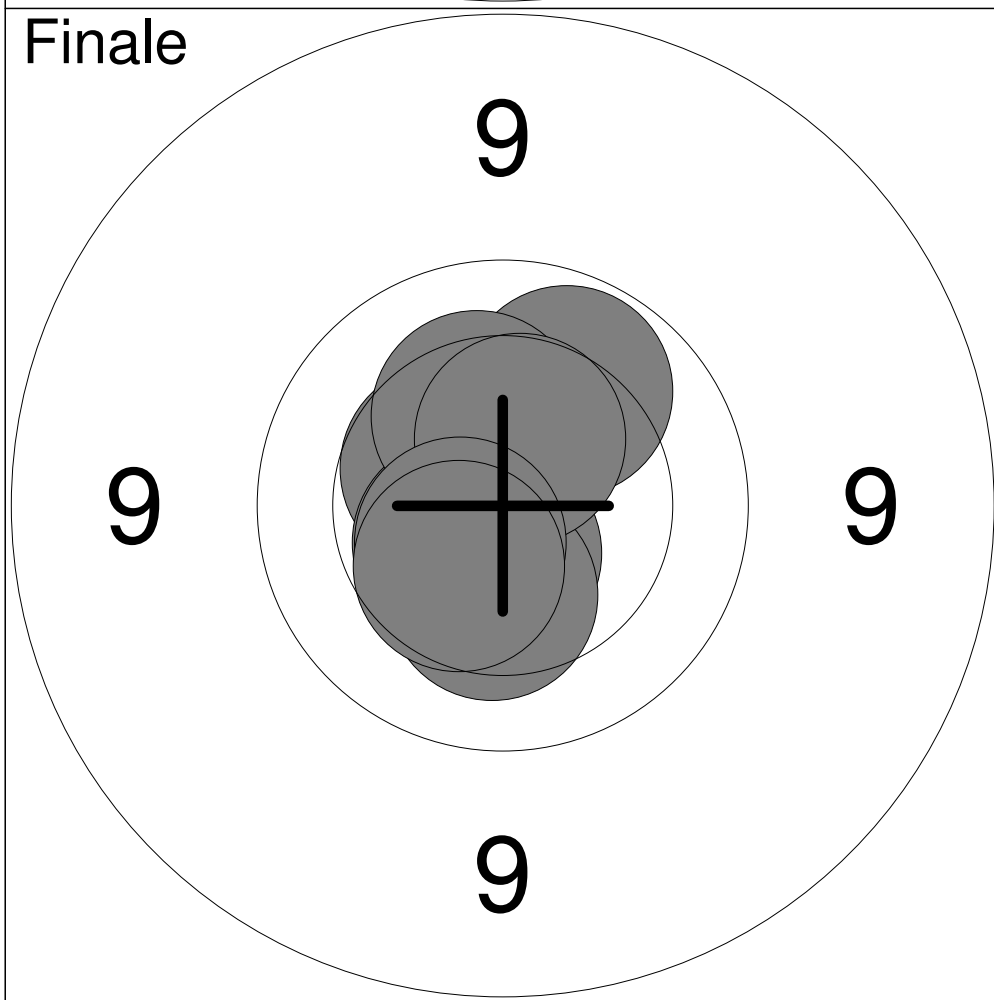


1:	*10.6	↘
2:	*10.7	↑
3:	*10.5	↙
4:	*10.6	↓
5:	*10.9	←
6:	*10.7	↓
7:	10.3	→
8:	10.2	↗
9:	*10.7	←
10:	*10.6	↘
Serie		105.8
Total		504.8



1:	*10.5	↑
2:	*10.6	↗
3:	*10.5	↓
4:	10.1	↗
5:	*10.8	↗
6:	10.1	↓
7:	*10.7	↗
8:	*10.8	↓
9:	10.3	↗

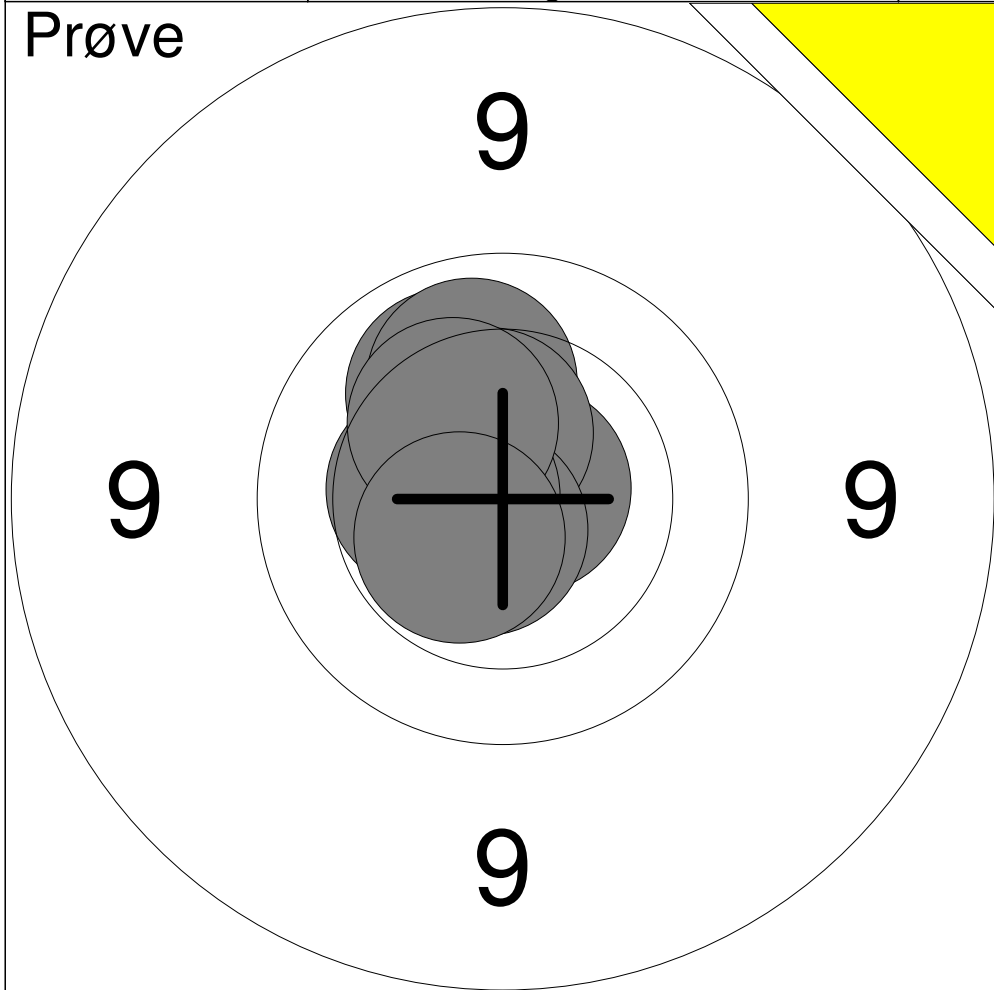
Serie	94.4
Total	398.0



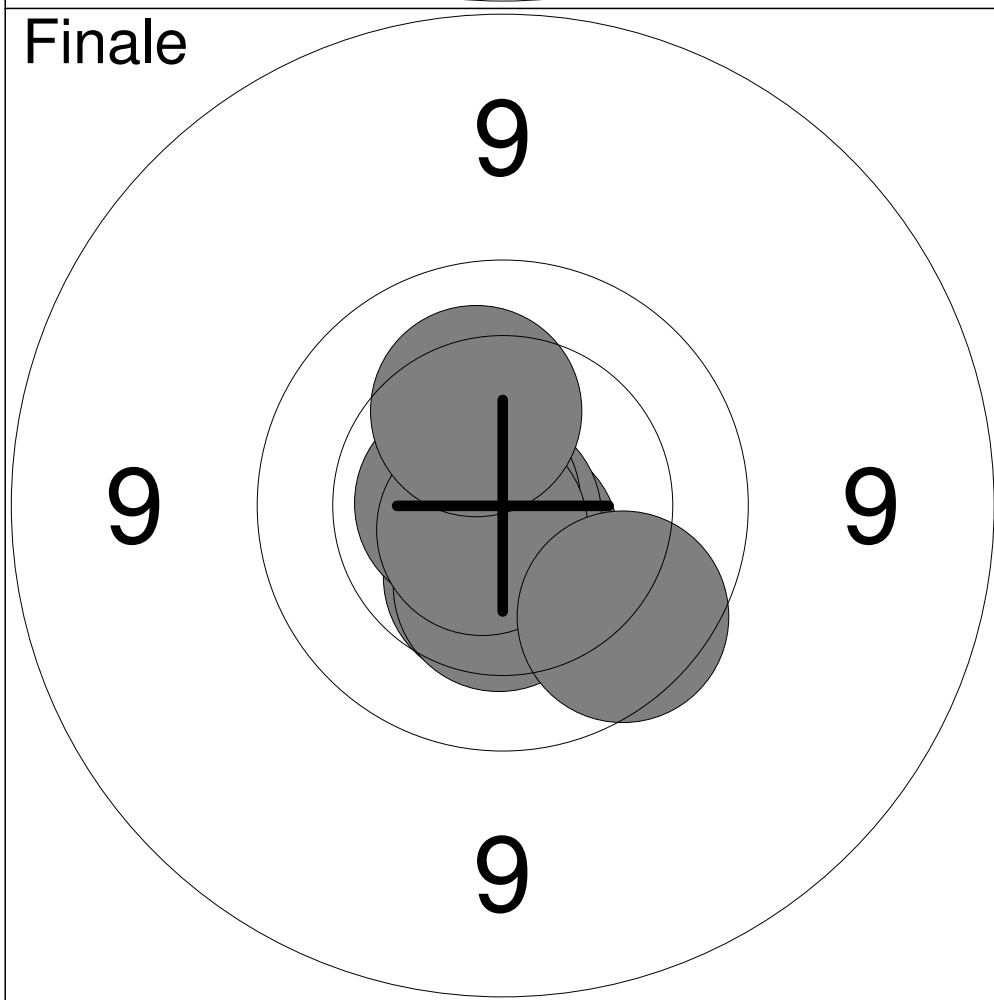
1:	10.5	↖
2:	10.0	↗
3:	*10.7	↖
4:	*10.5	↖
5:	*10.6	↓
6:	10.3	↓
7:	10.3	↑
8:	10.5	↗
9:	*10.5	↖
10:	10.4	↖

Serie	104.3
Total	502.3

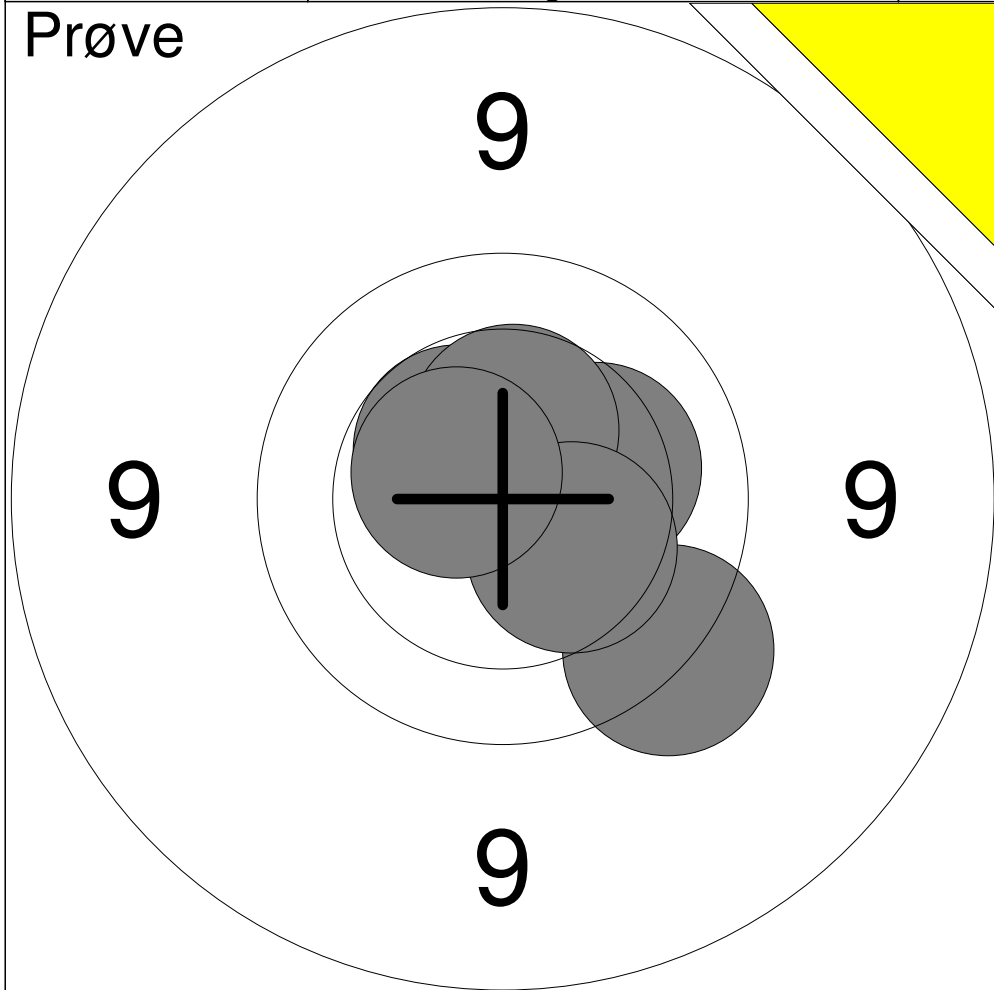
Hold 35	Skive 4	Simon Andersen	
15m	Løgstør Skyttelaug	F2JR	
1/3 - 3/3 2013	NM 15 meter Ungdom 2013	Aalborg Skyttekreds	



1:	10.1	↗
2:	10.1	↑
3:	*10.8	↘
4:	10.5	↑
5:	*10.6	←
6:	*10.7	↙
7:	*10.6	←
8:	10.4	←
9:	10.3	↗
10:	*10.5	↙
Serie		104.6
Total		398.0

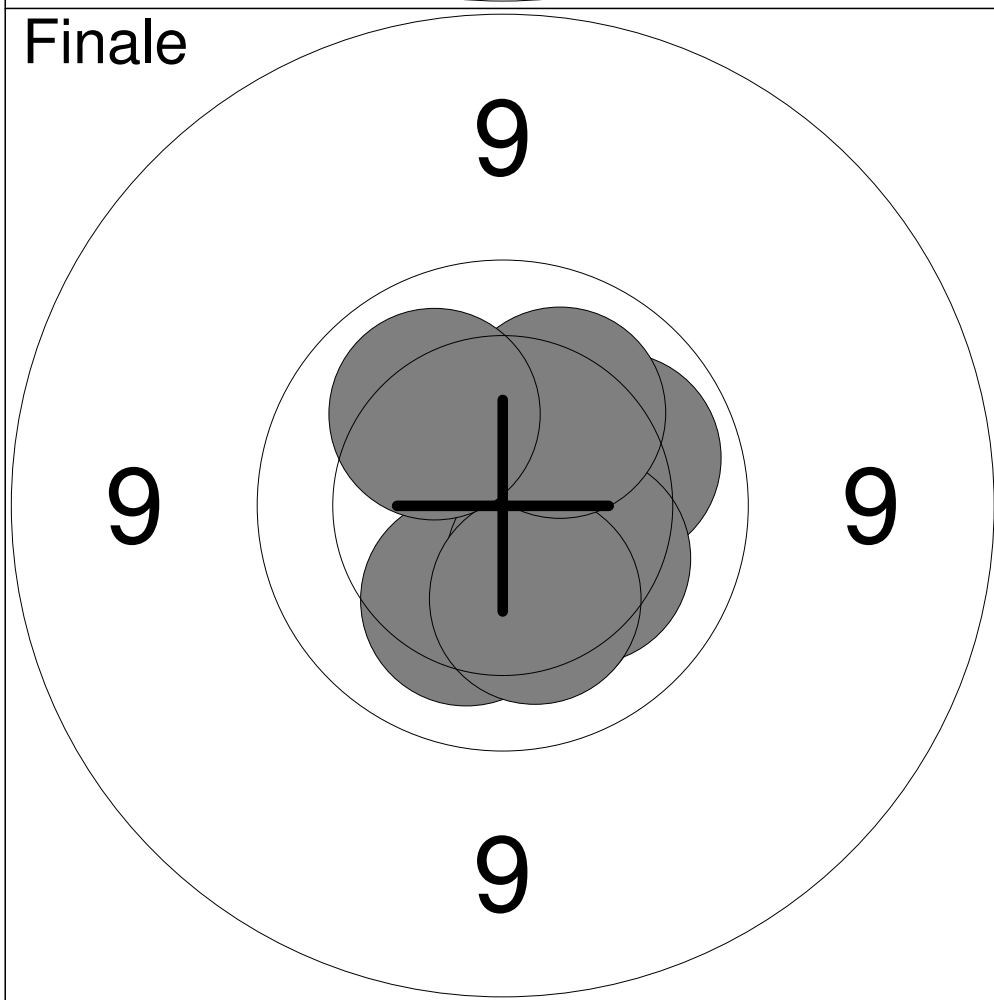


1:	*10.7	↓
2:	*10.7	↓
3:	10.4	↓
4:	*10.9	↙
5:	*10.7	←
6:	*10.6	←
7:	10.4	↓
8:	*10.7	↙
9:	9.9	↘
10:	10.3	↑
Serie		105.3
Total		503.3



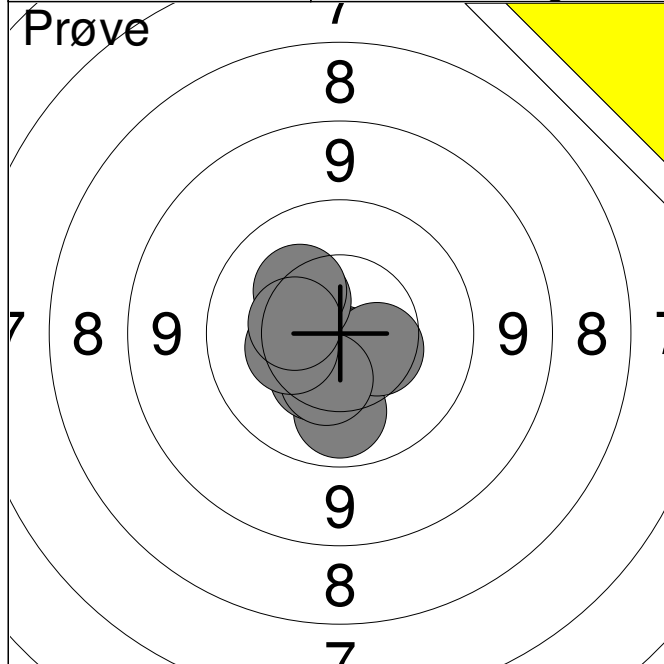
1:	9.6	↘
2:	10.5	↗
3:	10.2	→
4:	*10.8	↗
5:	10.5	↗
6:	10.4	↘
7:	*10.6	↗

Serie	72.6
Total	398.0

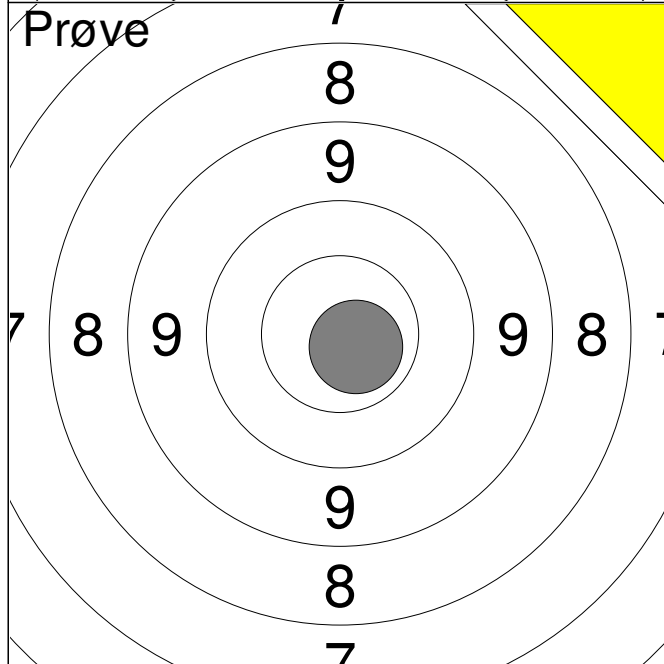


1:	*10.5	↗
2:	*10.8	↗
3:	10.2	↘
4:	10.1	→
5:	10.3	↘
6:	10.4	↘
7:	10.2	↘
8:	10.2	↘
9:	10.2	↗
10:	10.1	↗

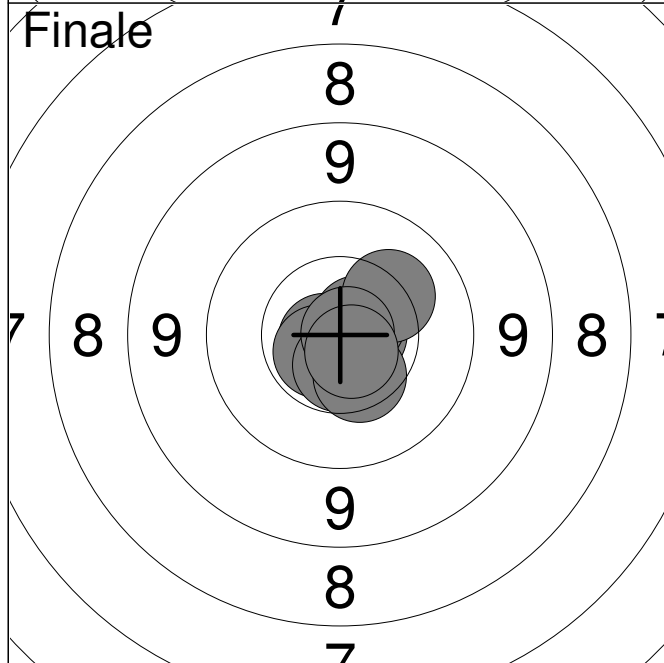
Serie	103.0
Total	501.0



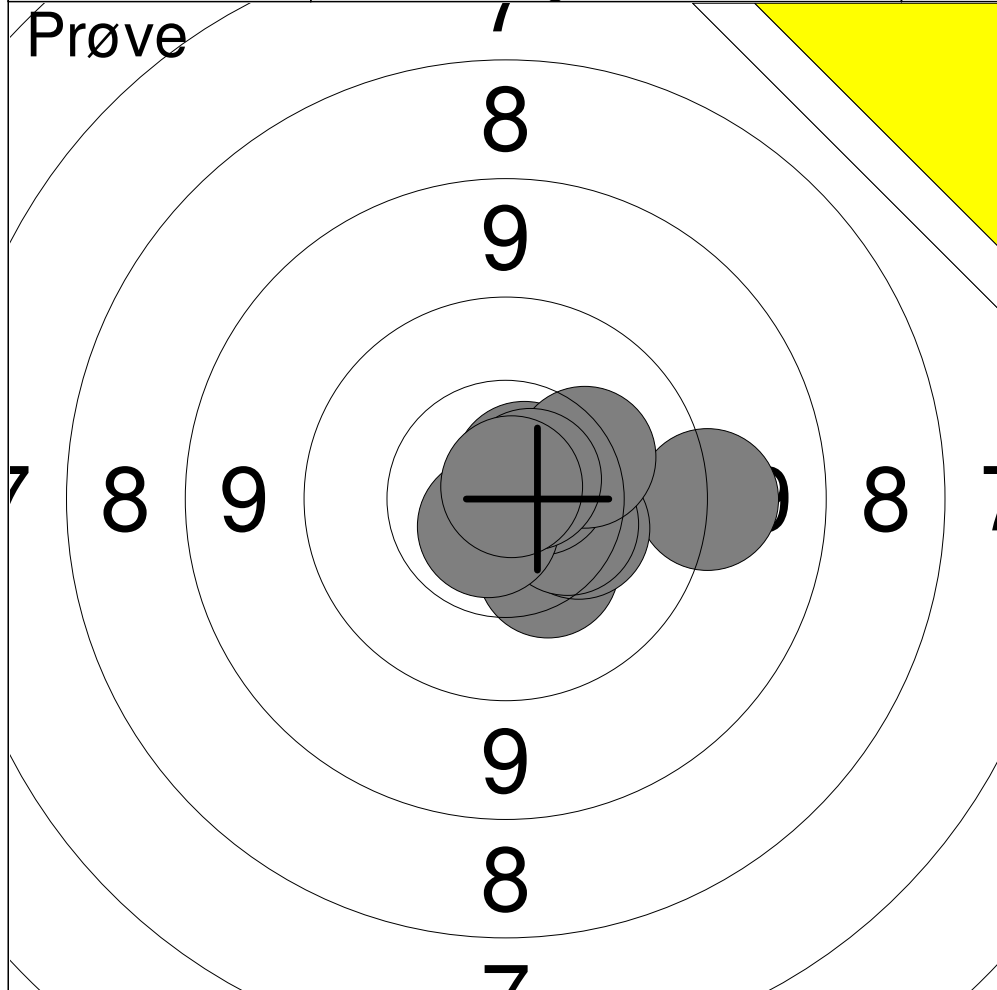
1:	10.0	↓
2:	*10.7	↓
3:	10.4	↙
4:	*10.7	↓
5:	10.5	↘
6:	10.4	↗
7:	10.3	↗
8:	10.4	↓
9:	10.4	←
10:	10.4	←
Serie		104.2
Total		400.0



11:	*10.7	↓
Serie		10.7
Total		400.0

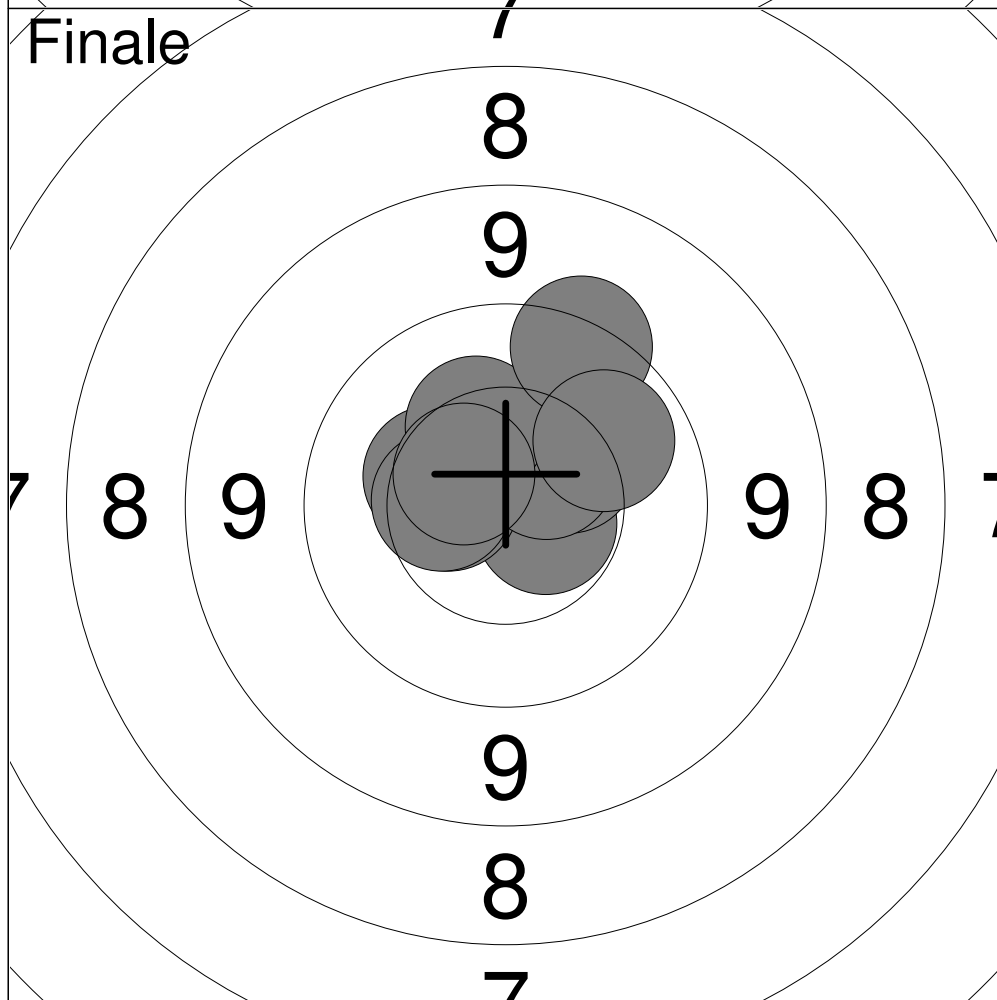


1:	*10.7	↓
2:	*10.8	←
3:	*10.7	→
4:	*10.6	↙
5:	*10.6	↓
6:	*10.7	↗
7:	10.2	↗
8:	10.4	↓
9:	*10.9	→
10:	*10.7	↓
Serie		106.3
Total		506.3



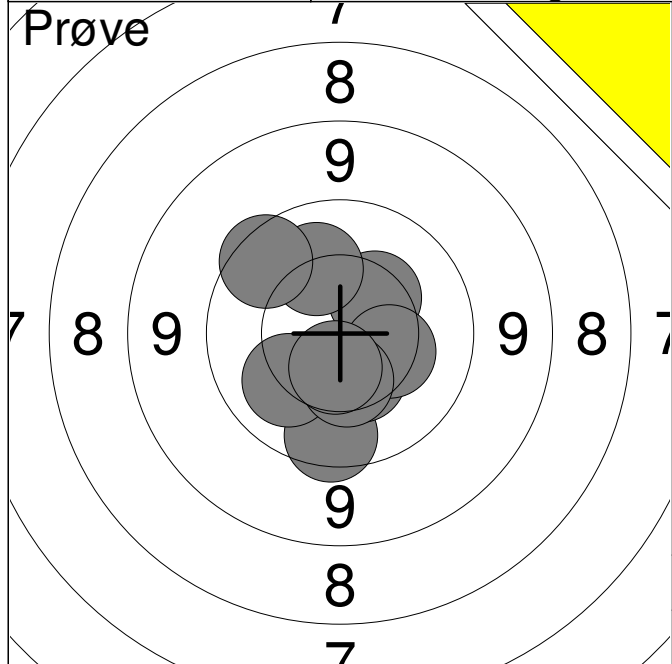
1:	9.3	→
2:	10.3	↘
3:	10.3	↘
4:	10.4	↘
5:	*10.7	↗
6:	*10.7	↗
7:	*10.7	↘
8:	10.3	↗
9:	*10.7	↗
10:	*10.8	↗

Serie	104.2
Total	400.0

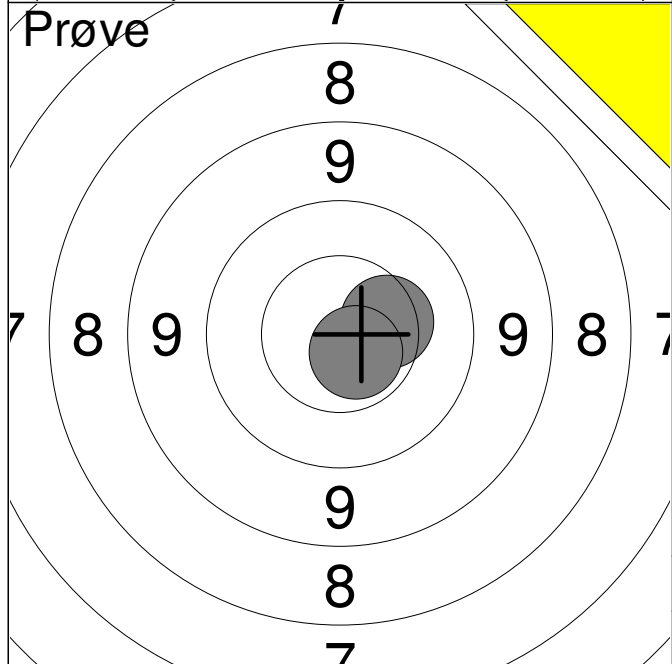


1:	*10.6	↘
2:	10.4	↗
3:	10.5	←
4:	10.5	↗
5:	10.4	←
6:	10.3	↗
7:	10.5	←
8:	9.6	↗
9:	10.0	↗
10:	10.6	↖

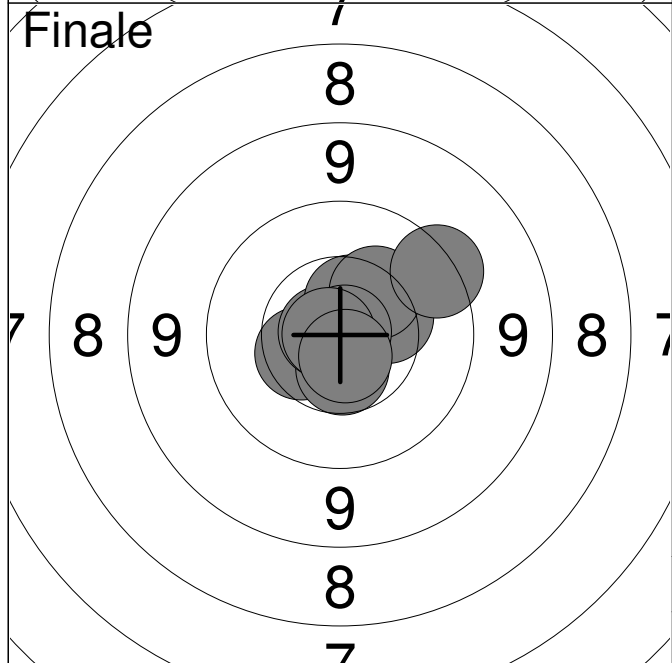
Serie	103.4
Total	503.4



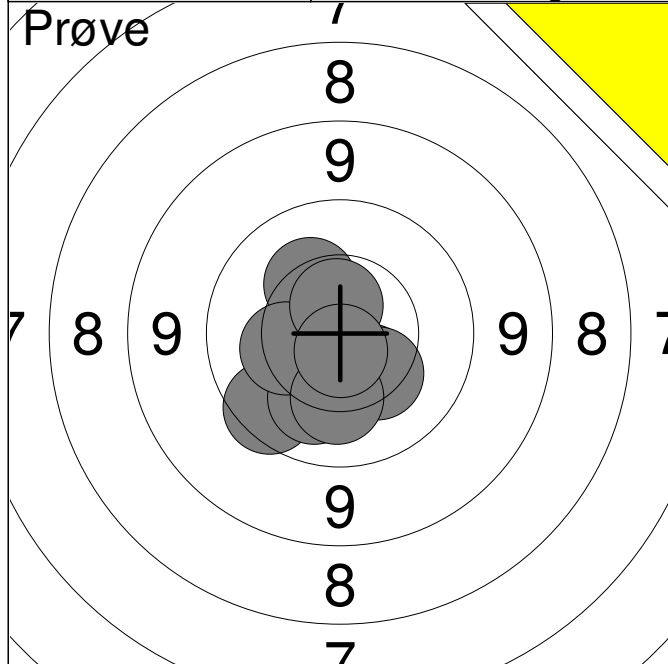
1:	9.7	↓
2:	10.4	↓
3:	10.1	↙
4:	10.4	↗
5:	10.2	↗
6:	9.7	↗
7:	10.5	↓
8:	10.3	→
9:	10.4	↓
10:	10.6	↓
Serie		102.3
Total		400.0



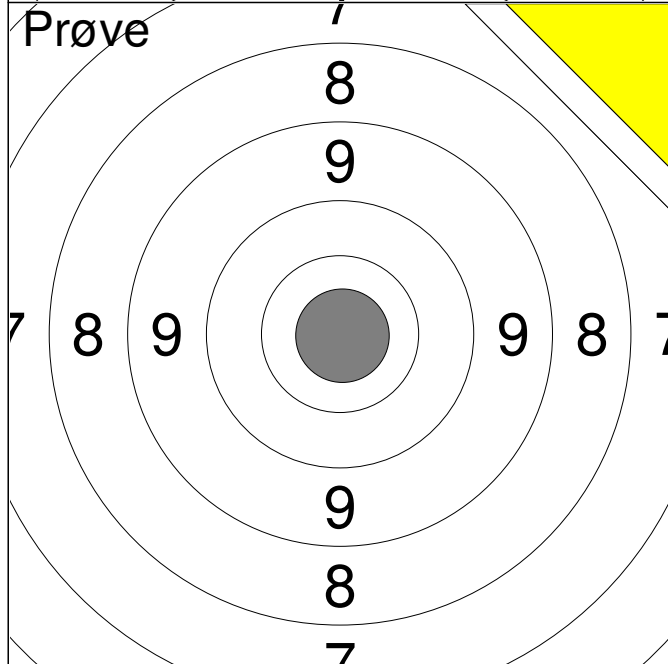
11:	10.4	→
12:	*10.7	↓
Serie		21.1
Total		400.0



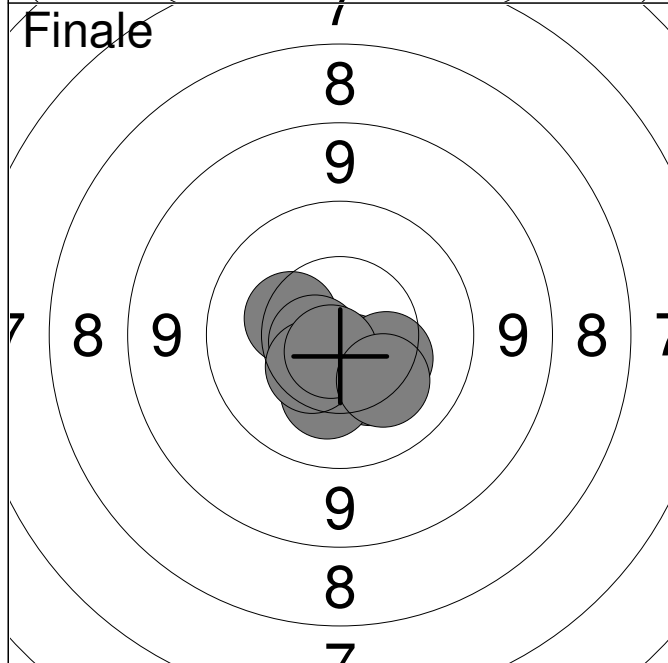
1:	10.5	←
2:	10.6	↓
3:	*10.8	←
4:	10.4	→
5:	10.5	↑
6:	10.3	↗
7:	9.6	↗
8:	*10.9	↗
9:	*10.8	←
10:	*10.7	↓
Serie		105.1
Total		505.1



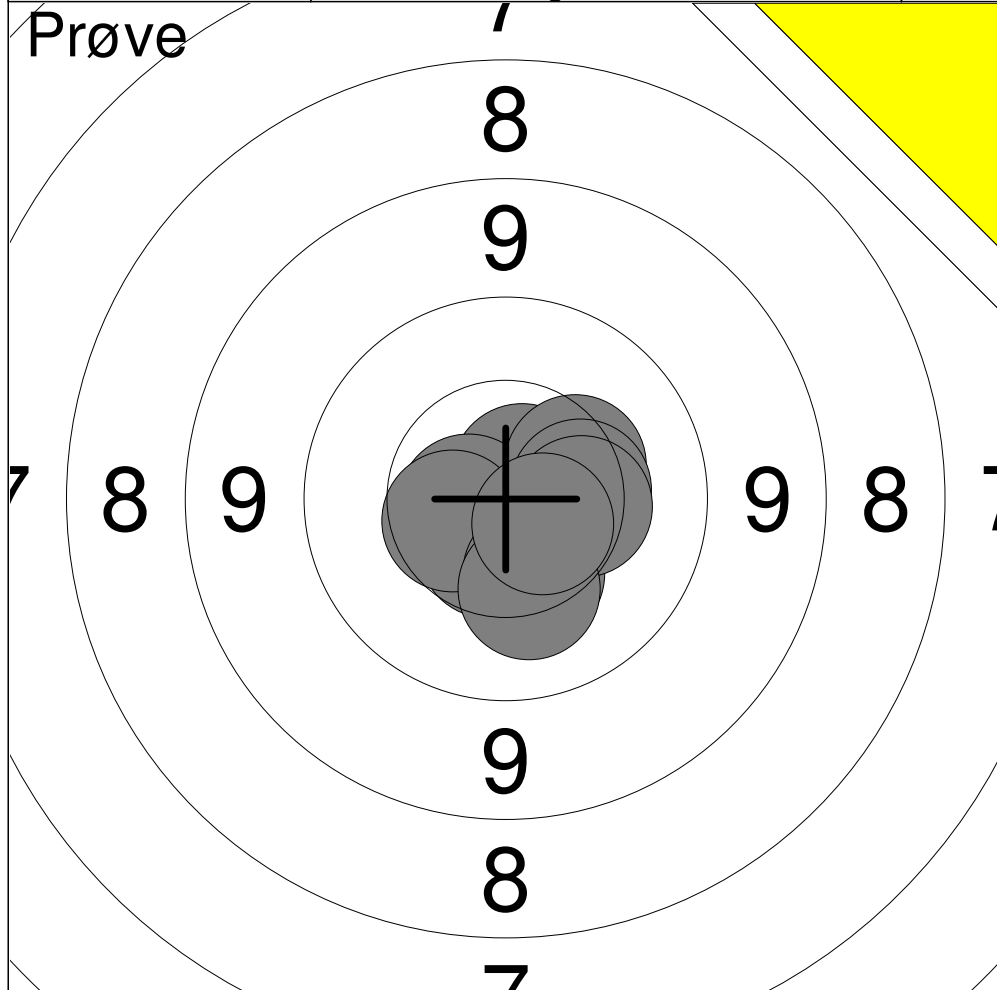
1:	10.5	↗
2:	9.8	↘
3:	10.4	↘
4:	10.3	↘
5:	10.1	↘
6:	10.3	↗
7:	10.3	↖
8:	*10.6	↗
9:	10.2	↘
10:	*10.8	↘
Serie		103.3
Total		400.0



11:	*10.9	↘
Serie		10.9
Total		400.0

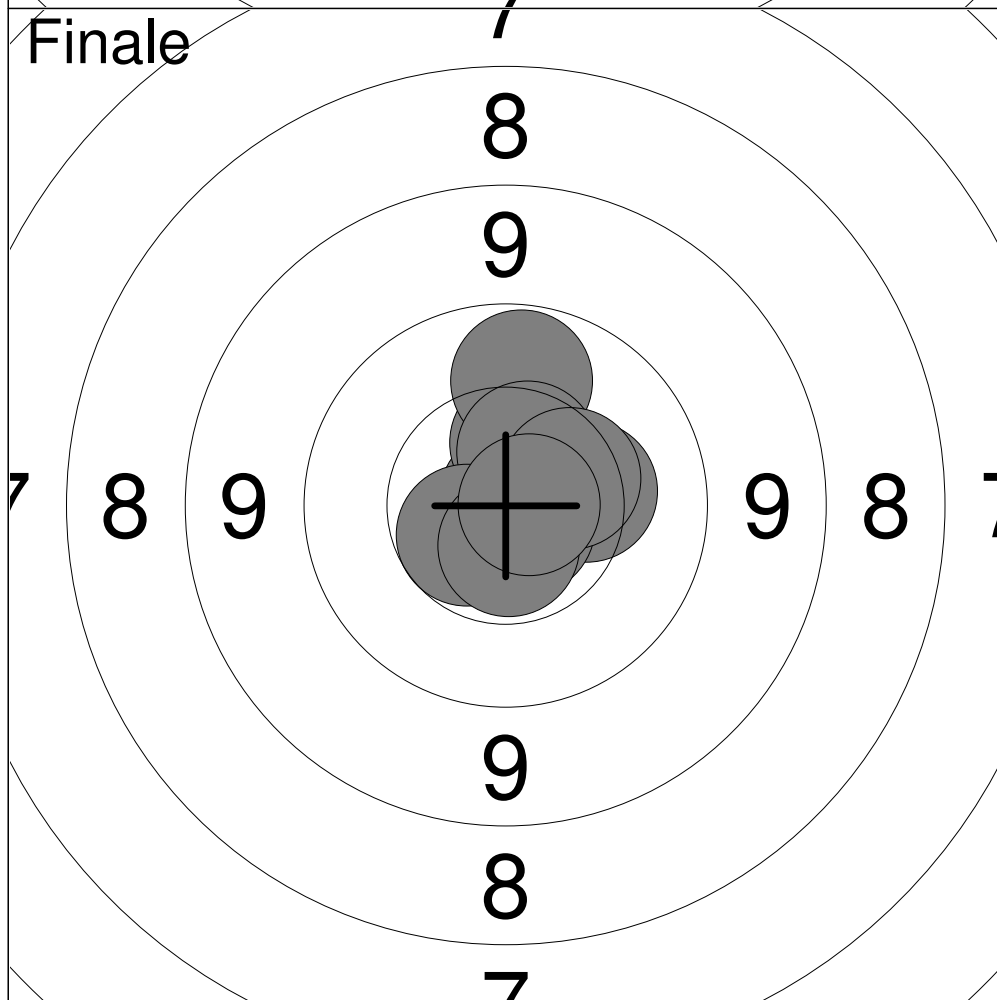


1:	10.3	↖
2:	*10.6	↖
3:	*10.6	↘
4:	*10.6	↘
5:	10.3	↘
6:	10.3	↘
7:	10.5	↖
8:	10.4	↘
9:	*10.7	↘
10:	10.2	↘
Serie		104.5
Total		504.5



1:	*10.7	↗
2:	*10.7	←
3:	10.4	→
4:	10.6	↘
5:	10.4	→
6:	10.5	←
7:	10.3	↘
8:	10.4	→
9:	10.2	↘
10:	*10.6	↘

Serie	104.8
Total	399.0



1:	*10.9	↗
2:	10.5	↗
3:	10.0	↗
4:	10.3	→
5:	10.5	↗
6:	10.6	←
7:	*10.7	↘
8:	*10.6	↘
9:	10.4	→
10:	*10.8	→

Serie	105.3
Total	504.3